

# SURE STOP 350<sup>®</sup> GASKET

## INSTANT JOINT RESTRAINT

McWane’s SURE STOP 350<sup>®</sup> Gaskets are a fast and easy way of restraining TYTON<sup>®</sup>, TRIM TYTON<sup>®</sup> or TYTON JOINT<sup>®</sup> pipe valves and fittings. The gaskets are suitable for water, wastewater, fire protection and other related applications. Simply install the gasket in a TYTON JOINT<sup>®</sup> pipe, valve or fitting socket and assemble the joint in accordance with proper procedures, and the joint is restrained for working pressures up to 350 psi. The gaskets are available in sizes 3”–24”, and with a rating of 350 psi, they will meet or exceed the capabilities of ductile iron pipe, valves and fittings. SURE STOP 350<sup>®</sup> GASKETS are NSF 61 approved, UL listed and approved by FM Approvals. There is no need to use bolts, clamps, rods, thrust blocks or other restraining devices when you can use an easy push to restrain SURE STOP 350<sup>®</sup> GASKETS. SURE STOP 350<sup>®</sup>



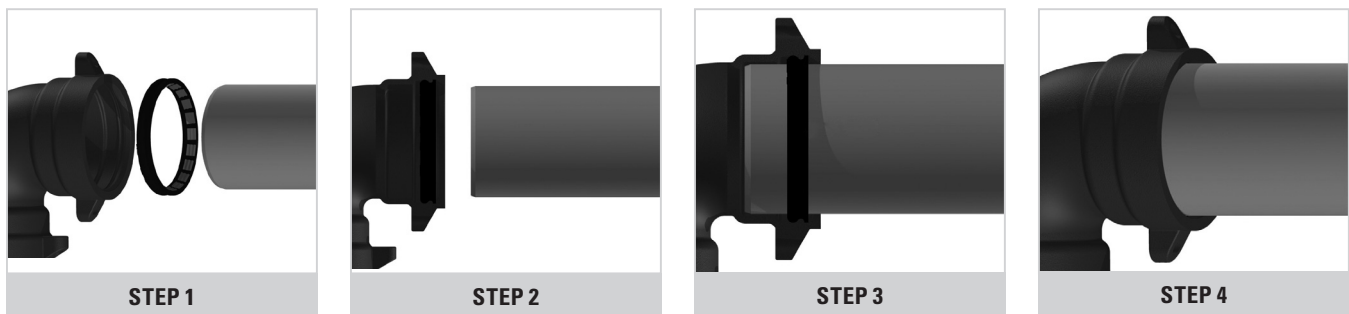
GASKETS are produced and tested in accordance with ANSI/AWWA C111/A21.11 and have a 350 psi pressure rating. The gaskets have been successfully tested at a minimum of 700 psi to nationally recognized listing agency requirements, as witnessed by independent testing agencies (certificates available upon request).

| Sure Stop 350 <sup>®</sup> Gasket Instant Joint Restraint |               |           |          |         |
|---|---------------|-----------|----------|---------|
| Pipe Size   | Circumference |           | Diameter |         |
| Nominal   | Maximum       | Minimum   | Maximum  | Minimum |
| 3   | 12-5/8"       | 12-1/4"   | 4.02"    | 3.90"   |
| 4   | 15-9/32"      | 14-29/32" | 4.86"    | 4.74"   |
| 6   | 21-7/8"       | 21-1/2"   | 6.96"    | 6.84"   |
| 8   | 28-5/8"       | 28-1/4"   | 9.11"    | 8.99"   |
| 10  | 35-1/16"      | 34-11/16" | 11.16"   | 11.04"  |
| 12  | 41-21/32"     | 41-9/32"  | 13.26"   | 13.14"  |
| 14  | 48-7/32"      | 47-13/16" | 15.35"   | 15.22"  |
| 16  | 54-13/16"     | 54-13/32" | 17.45"   | 17.32"  |
| 18  | 61-13/32"     | 61"       | 19.55"   | 19.42"  |
| 20  | 68"           | 67-19/32" | 21.65"   | 21.52"  |
| 24  | 81-7/32"      | 80-13/16" | 25.85"   | 25.72"  |

|                          |                                     |                         |
|--------------------------|-------------------------------------|-------------------------|
| ISO 9001-2015 Registered | Listed with Underwriters Laboratory | Factory Mutual Approved |
|--------------------------|-------------------------------------|-------------------------|

| Product Source/Type | Name of Project | Name of Contractor | Project Engineer | Spec. Section and/or Project No. |
|---------------------|-----------------|--------------------|------------------|----------------------------------|
|                     |                 |                    |                  |                                  |

McWane's Sure Stop 350® Gaskets are a fast and easy way of restraining TYTON JOINT® pipe, valves and fittings.



## INSTALLATION

1. For ductile iron applications utilizing TYTON pipe, valves and fittings made to AWWA specifications.
2. In cold weather assembly, maintain the gasket temperature above 40° F.
3. The socket of the joint should be clean and free of debris (excess paint, cement, etc.).
4. Gasket should be properly seated in the bell socket.
5. Keep the pipe and joint in alignment during assembly. If installed out of alignment, the gasket can be pushed out of position, creating the potential for leaks and failures.
6. If deflection is wanted in the joint, deflect before fully inserting the joint.
7. Some extension of the joint will occur when pressurized. To avoid this, the joint should be pulled out after assembly to set the stainless teeth in the inserted pipe.
8. Once assembled, the joint can be disassembled using steel shims.
9. When cut pipe is used, the following steps are required:
  - Ensure that the spigot end is properly beveled.
  - Mark the joint depth on the spigot so it is clear when the joint is fully inserted.
  - Ensure that the pipe meets the required dimensional tolerances as noted in the table to the right.
10. Do not reuse SURE STOP 350® GASKETS as they may have been damaged during any previous installation or during removal.
11. Do not use SURE STOP 350® GASKETS to conduct electricity through the pipe joint as they could be damaged and fail.
12. Do not use SURE STOP 350® GASKETS in above-ground applications.
13. Do not use SURE STOP 350® GASKETS with thick coatings on the pipe exterior.