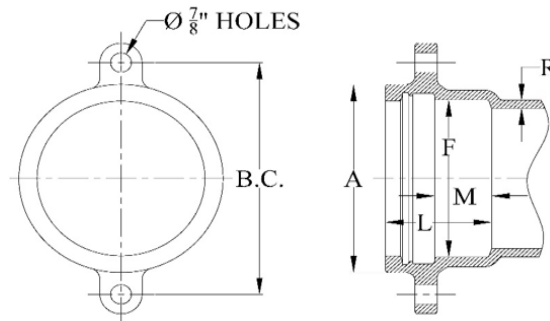


25U — ANSI/AWWA C153/A21.53 UNION-TITE COMPACT DUCTILE IRON FITTINGS

Revised 02/2025 (Current revisions for the noted Standards apply)

SIZES:	4"–24"
STANDARDS:	ANSI/AWWA C153/A21.53, NFPA13/24, 4"–12" UL listed & approved (File - Tyler Union).
MATERIAL:	Cast of ASTM A536 qualified ductile iron. Date code is cast on and required for traceability.
PRESSURE RATING:	Union-Tite/Push-on Joints 4"–24" rated at 350 psi. *Flanged fittings rated at 250 psi. * Note: With rubber annular ring flange gasket, 4"–24" Flanged fittings can be rated at 350 psi. Note: Wyes over 12" are not pressure rated. Contact Tyler Union for rating in your application.
DEFLECTION:	Joint deflection 5° max for 4"–12" and 3° max for 14"–24". Reduces by 50% at nominal pipe & fitting diameters.
NSF-61 & NSF372:	Meets all requirements, including Annex G, Tyler Union's Underwriters Laboratory listing MH16439.
ASPHALT COATING:	Per ANSI/AWWA C104/A21.4 and ANSI/AWWA C153/A21.53.
CEMENT LINING:	Per ANSI/AWWA C104/A21.4, with double cement lining available upon request.
EPOXY COATING:	Fusion-bonded epoxy per ANSI/AWWA C116/A21.16. Additional coatings available upon request.
BARE FITTINGS:	Available upon request.
FASTENERS:	High-strength low-alloy weathering steel per ANSI/AWWA C111/A21.11 and ASTM A242.
RESTRAINING LUGS:	*Lugs provided on 16" and smaller fittings. Lug pattern accommodates most grip type restraints. * NOTE: With sufficient lead time to adapt tooling, restraining lugs are available on 18"–24" fittings.
INSTALLATION:	Install per AWWA C600/C651 using pipe conforming to ANSI/AWWA C151/A21.51 or AWWA C900. Designed for use with TYTON® and McWane SURE STOP® gaskets. Contact Tyler Union regarding the installation or use of other gasket types and/or gasket manufacturers.



NOMINAL JOINT DIMENSIONS IN INCHES							
Size (In.)	Pipe Diameter	A Diam.	F Diam.	B.C. Diam.	L Diam.	M Diam.	R Diam.
4	4.80	6.38	5.04	7.88	4.16	2.25	0.35
6	6.90	8.52	7.14	10.50	4.29	2.25	0.37
8	9.05	10.90	9.32	12.88	4.78	2.25	0.39
10	11.10	12.91	11.37	14.69	4.98	2.25	0.41
12	13.20	15.12	13.47	17.19	4.98	2.25	0.43
14	15.30	18.12	15.64	19.00	5.40	2.25	0.51
16	17.40	20.32	17.74	21.40	5.40	2.25	0.52
18	19.50	22.52	19.83	—	5.40	2.25	0.59
20	21.60	24.29	21.94	—	5.40	2.25	0.60
24	25.80	29.14	26.14	—	5.65	2.50	0.62