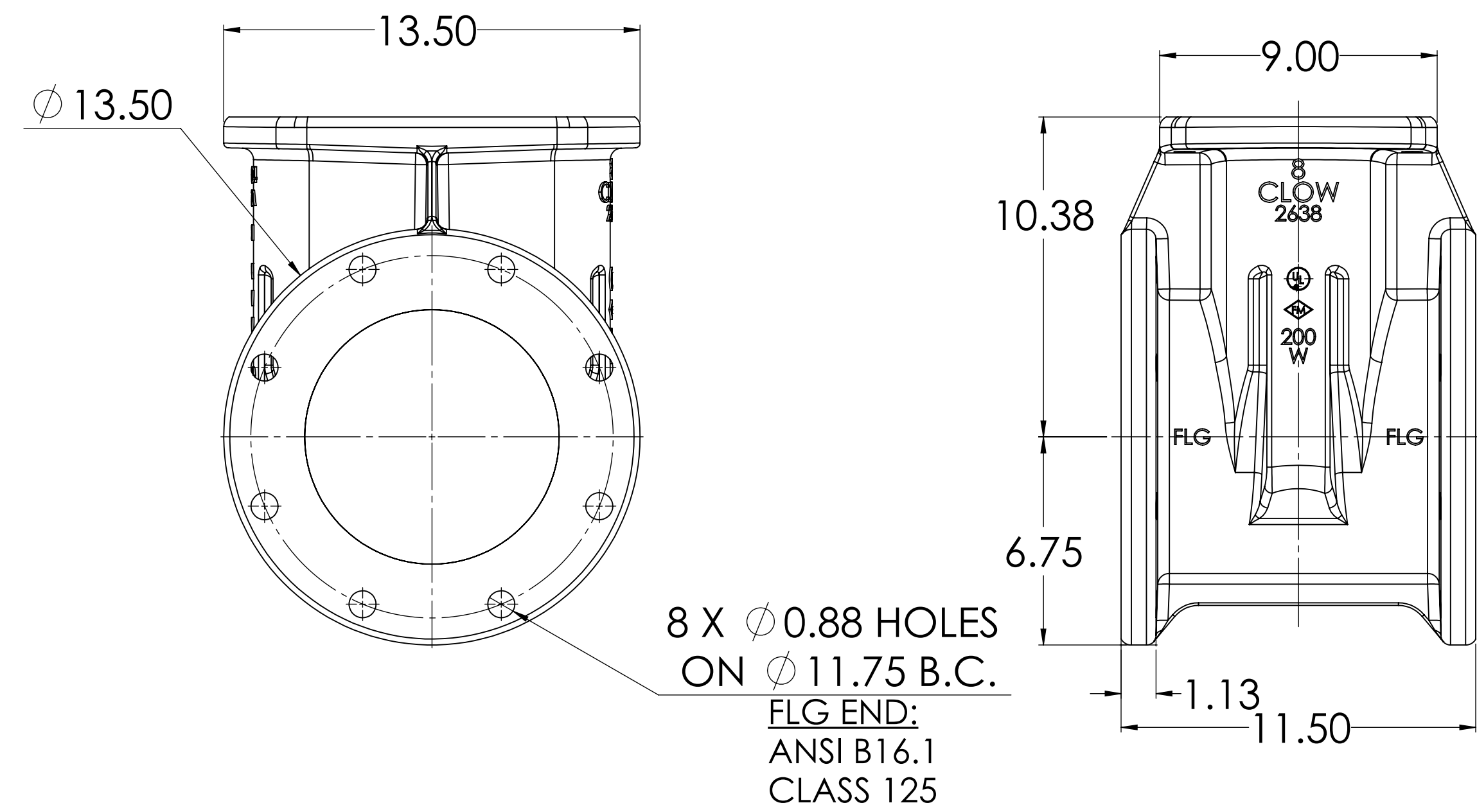
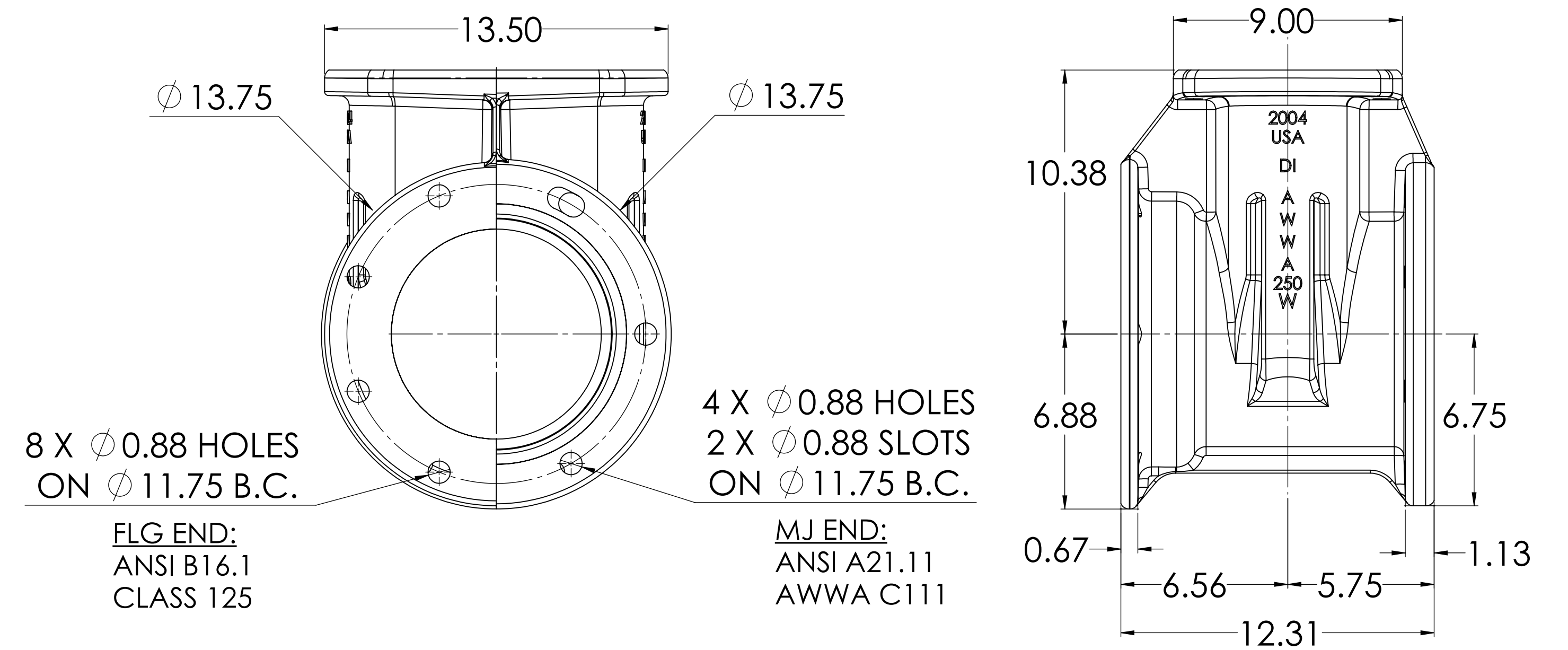


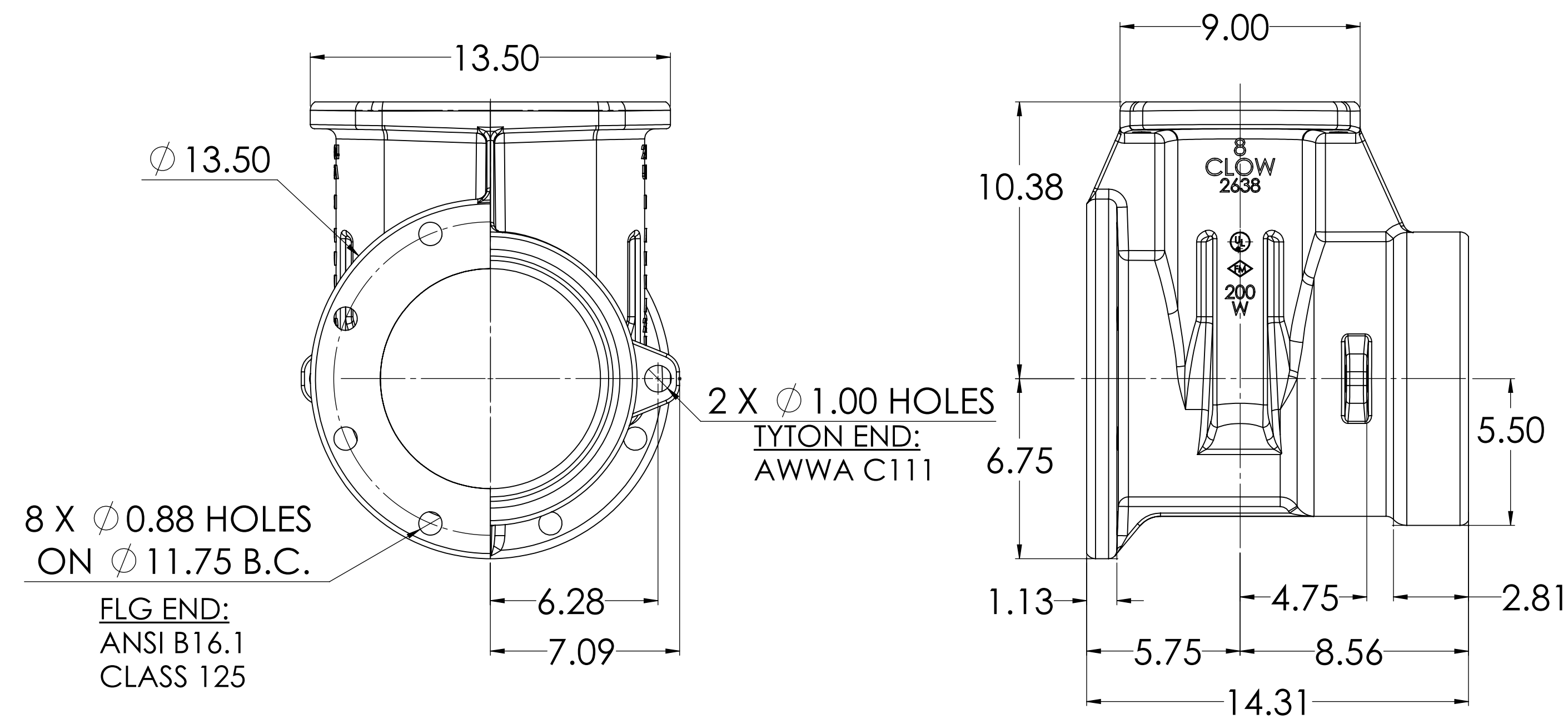
### 08" C515 FLG X FLG



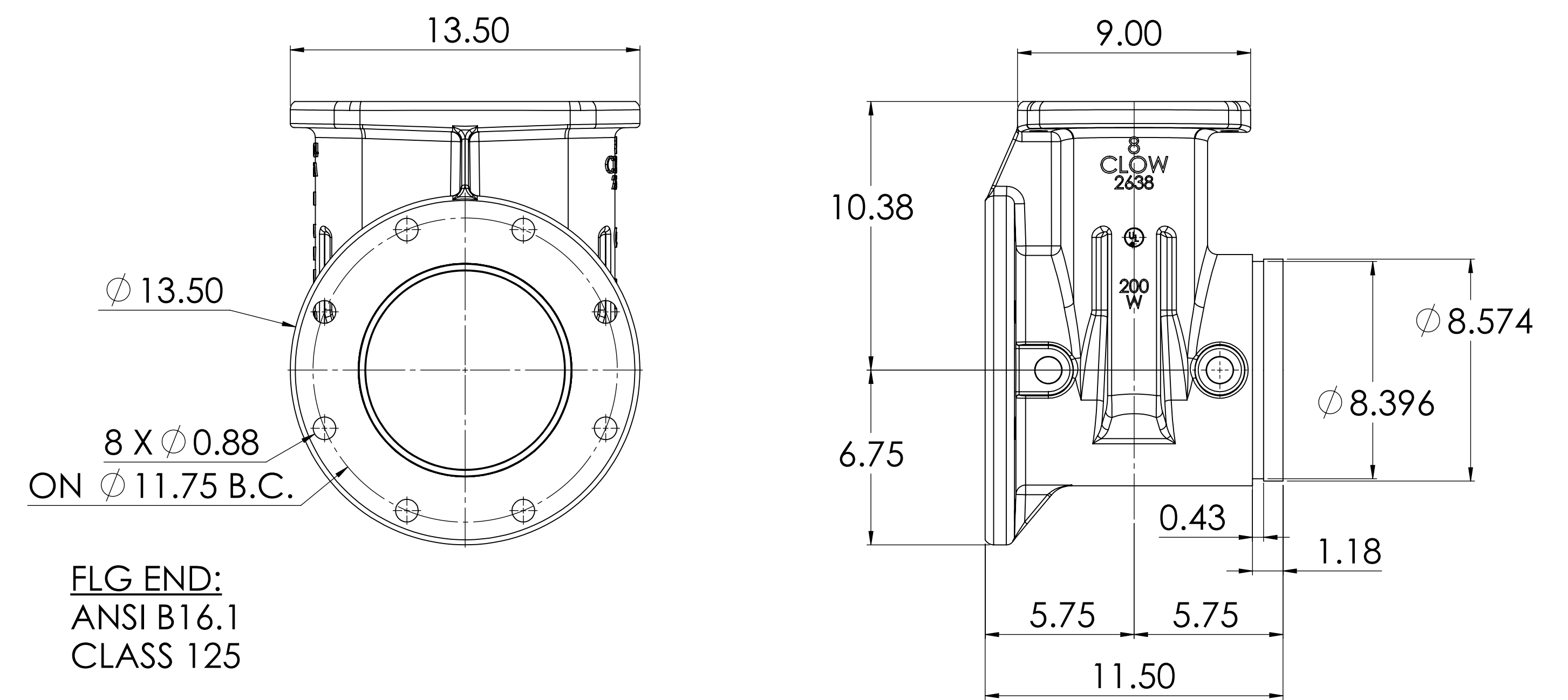
### 08" C515 FLG X MJ



### 08" C515 FLG X TYTON

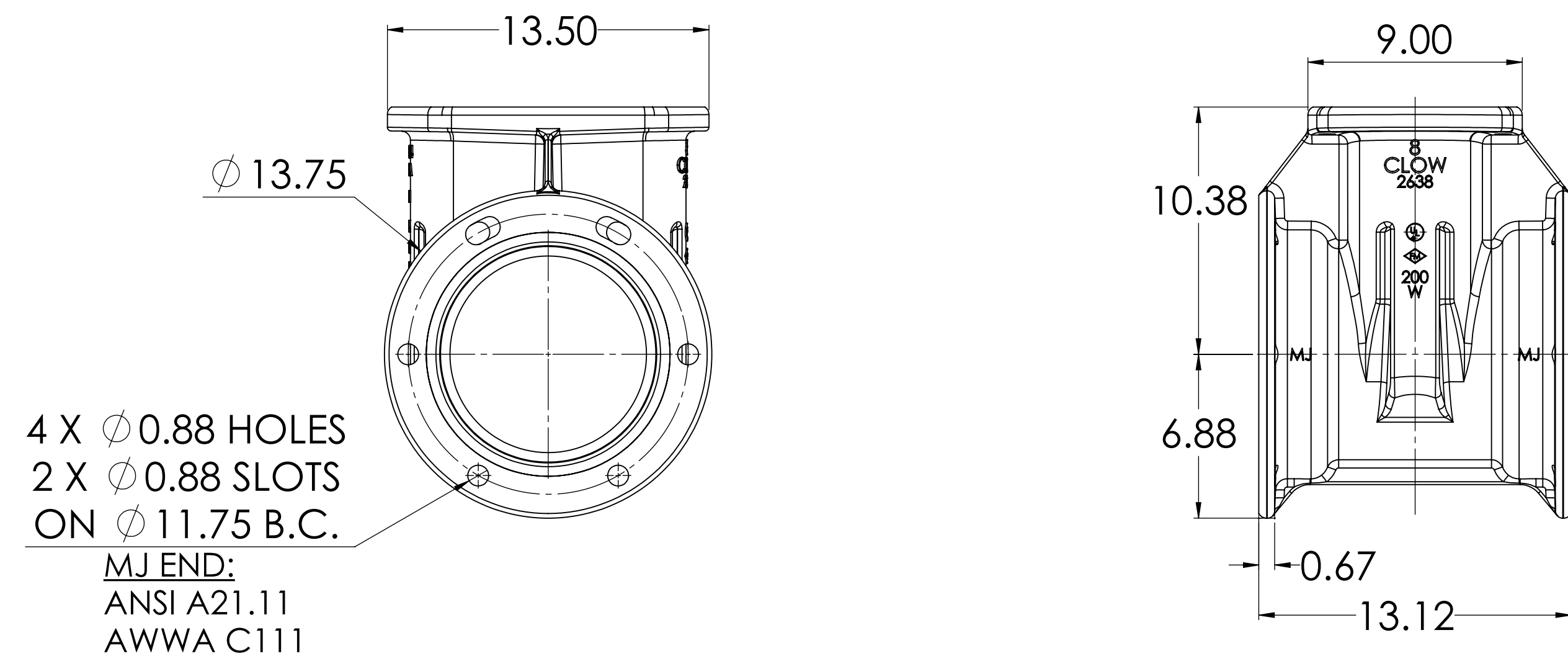


### 08" C515 FLG X GRVD

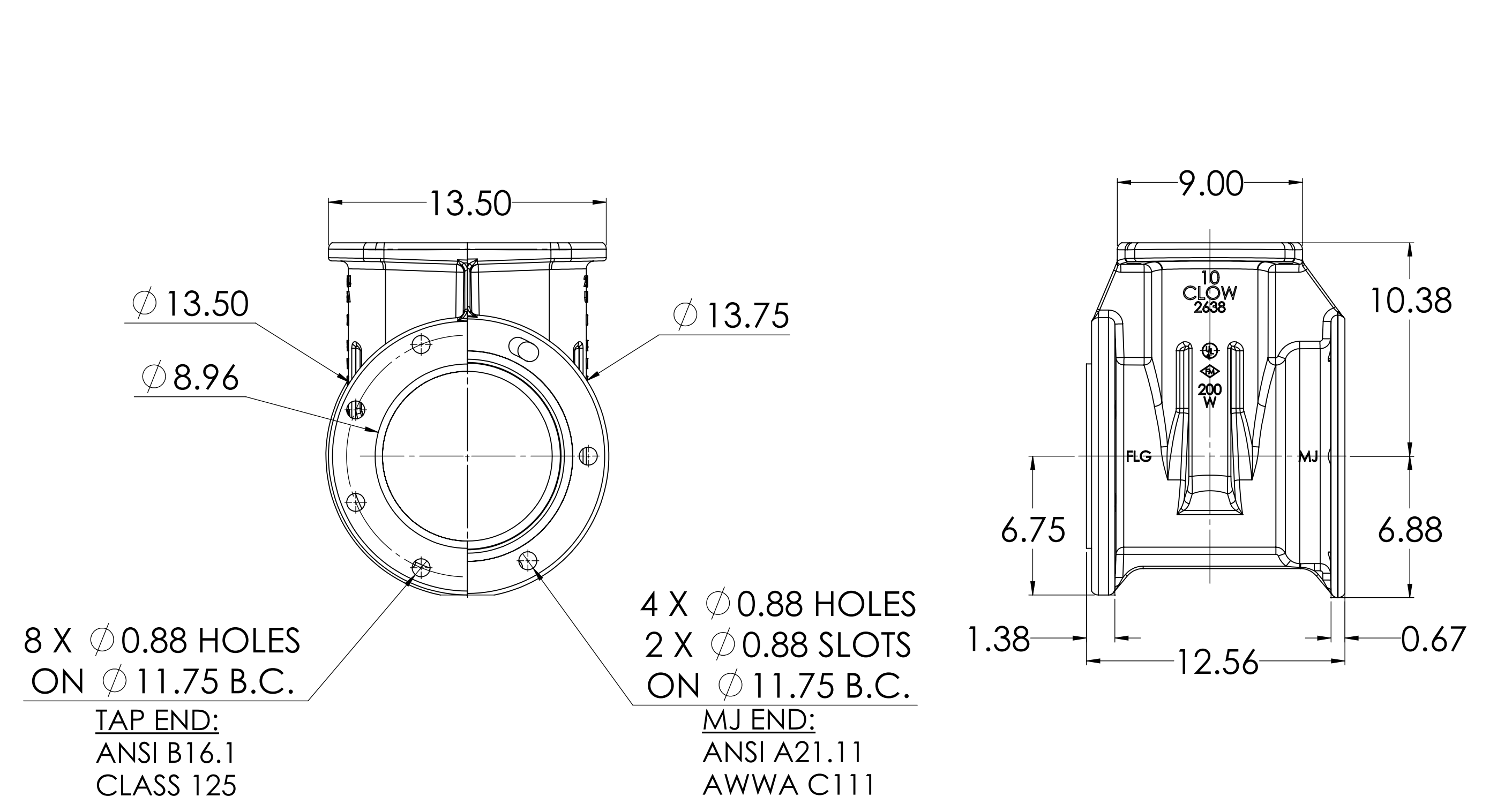


THIRD ANGLE PROJECTION STANDARDS: ANSI/ASME Y14.100, Y14.1 AND Y14.41 TOLERANCES: AS FOLLOWS UNLESS OTHERWISE SPECIFIED.		PROPERTY OF MCWANE CORPORATION ALL DIMENSIONS AND TOLERANCES ARE PROPRIETARY TO MCWANE CORPORATION AND ITS SUBSIDIARIES. THIS DRAWING IS ISSUED IN FULL COMPLIANCE OF OTHERWISE ARRANGED. ALL RIGHTS RESERVED.		DATE: 12/2/2020	DRAWN BY: CW	CHECKED BY:	SCALE: 1:5	SHEET OF 6	DESCRIPTION: 08" C515 NRS RESILIENT WEDGE GATE VALVE	CLW VALVE CO.	
CASTING TOLERANCES: 0.4": ± 0.005 0.8": ± 0.004 1.2": ± 0.003 1.6": ± 0.002 2.0": ± 0.0015 2.5": ± 0.001 3.0": ± 0.0008 3.5": ± 0.0006 4.0": ± 0.0005		MACHINED DIMENSIONS: DECIMALS: ± 0.005 FRACTIONS: ± 0.004 ANGLE: ± 1° SURFACE FINISH: 125 μin RADE: 1/8"		ESTIMATED WEIGHT: LBS.		DATE: 12/2/2020		SHEET OF 6		SOLIDWORKS 2018 SP2	

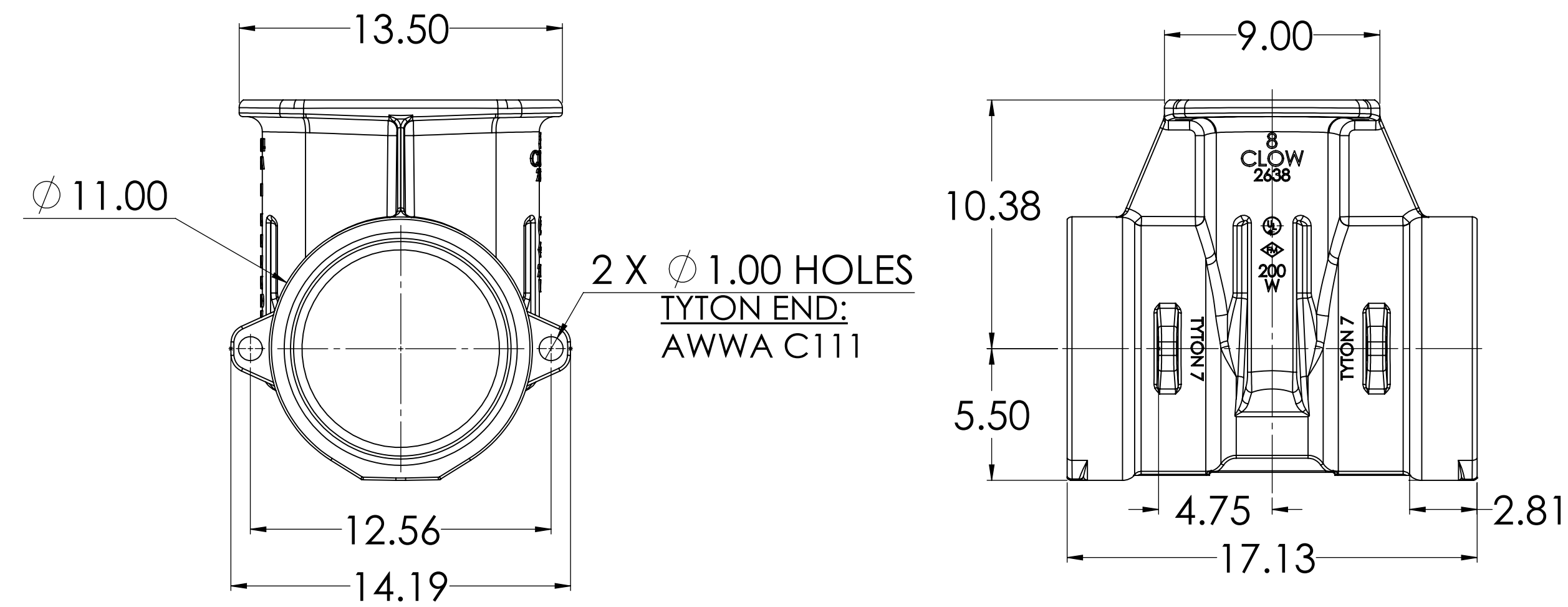
### 08" C515 MJ X MJ



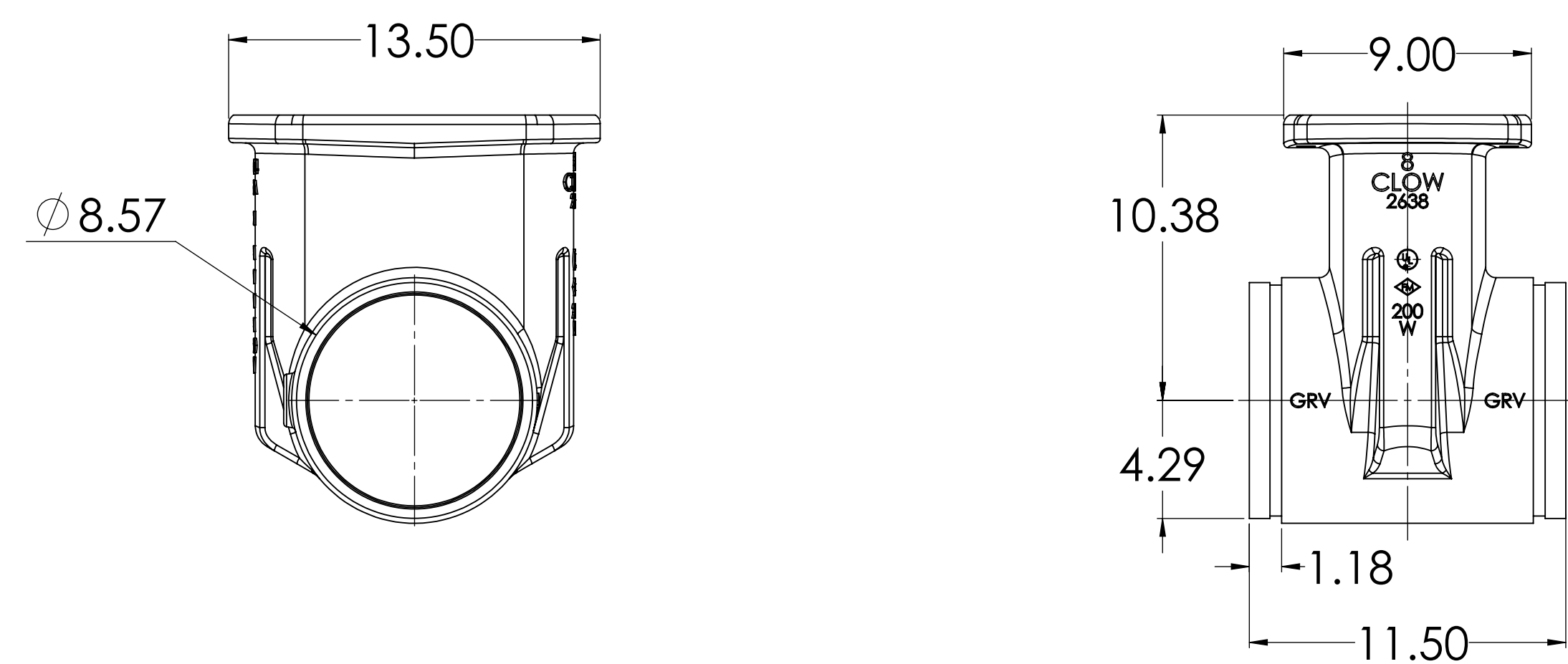
### 08" C515 MJ X TAP



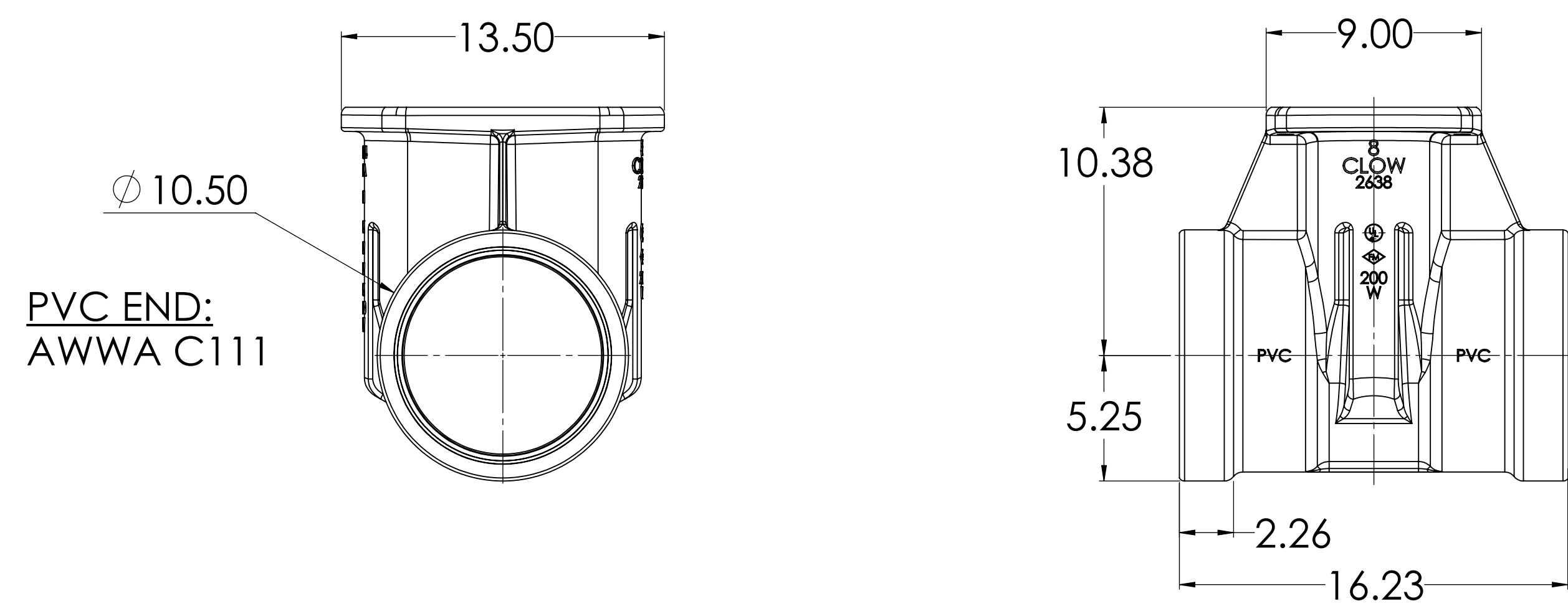
### 08" C515 TYTON X TYTON



### 08" C515 GRVD X GRVD

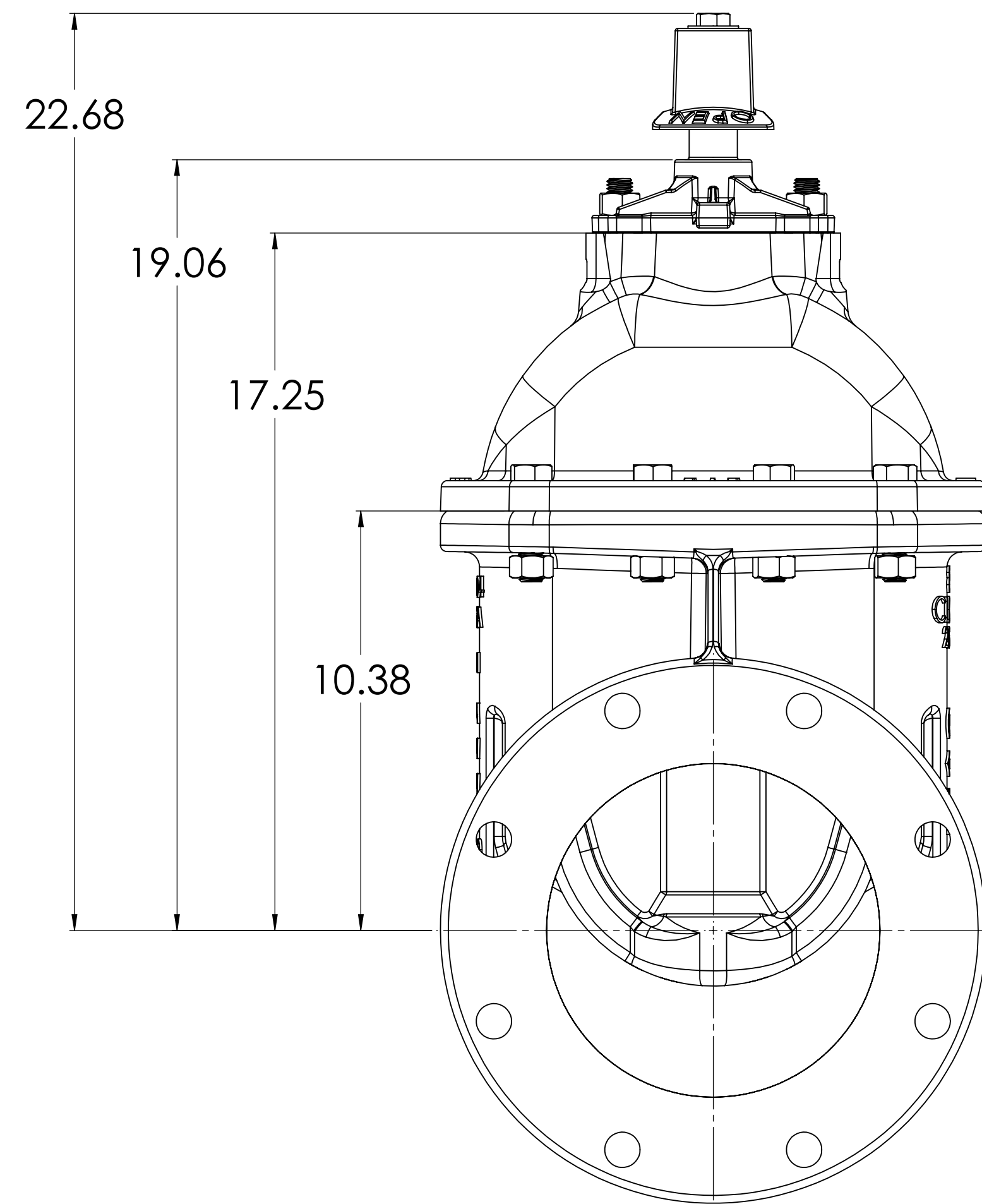


### 08" C515 PVC X PVC

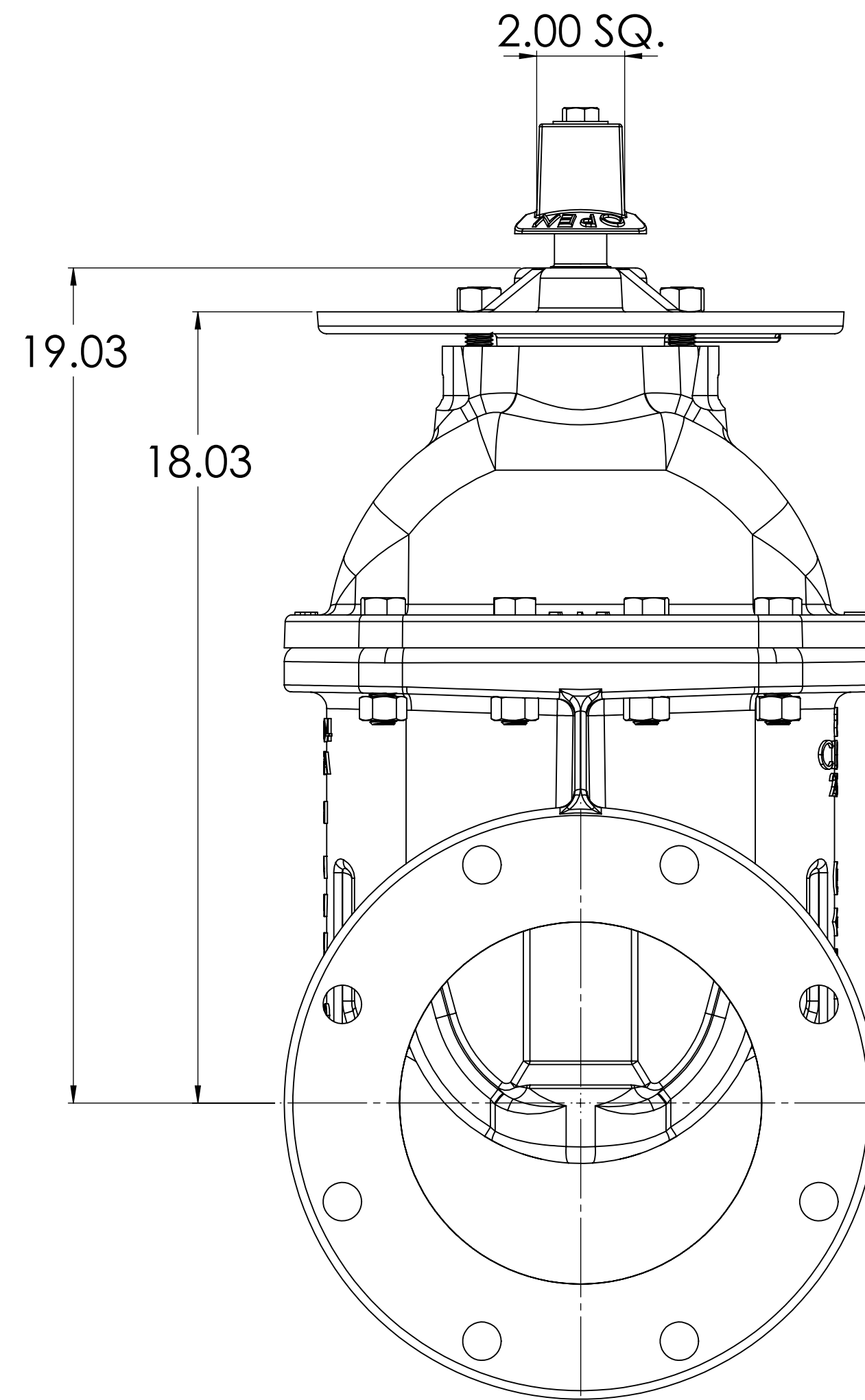


THIRD ANGLE PROJECTION. STANDARDS: ANSI/ASME Y14.100, Y14.101 AND Y14.41. TOLERANCES AS FOLLOWS UNLESS OTHERWISE SPECIFIED.		PROPERTY OF MCWANE CORPORATION. ALL DIMENSIONS AND IDENTIFYING INFORMATION ARE PROPRIETARY TO MCWANE CORPORATION AND ITS SUBSIDIARIES. REPRODUCTION OR USE IN ANY MANNER WITHOUT THE WRITTEN CONSENT OF MCWANE CORPORATION IS STRICTLY PROHIBITED. OTHERWISE ARRANGED: ALL RIGHTS RESERVED.		DATE: 12/2/2020	DRAWN BY: CW	CHECKED BY:	SCALE: 1:5	SHEET NO: 2	TOTAL SHEETS: 6
CASTING TOLERANCES: 0.4": ± 0.02 0.8": ± 0.04 1.2": ± 0.05 1.6": ± 0.06 2.0": ± 0.08		MACHINED DIMENSIONS: DECIMALS: ± 0.005 FRACTIONS: ± 1/100 ANGLE: ± 1° SURFACE FINISH: 125 μin RADIUS: ± 1/16"		MATERIAL: LBS.		ESTIMATED WEIGHT: LBS.		DESCRIPTION: 08" C515 NRS RESILIENT WEDGE GATE VALVE	
DATE: 12/2/2020		DATE: 12/2/2020		DATE: 12/2/2020		DATE: 12/2/2020		DATE: 12/2/2020	

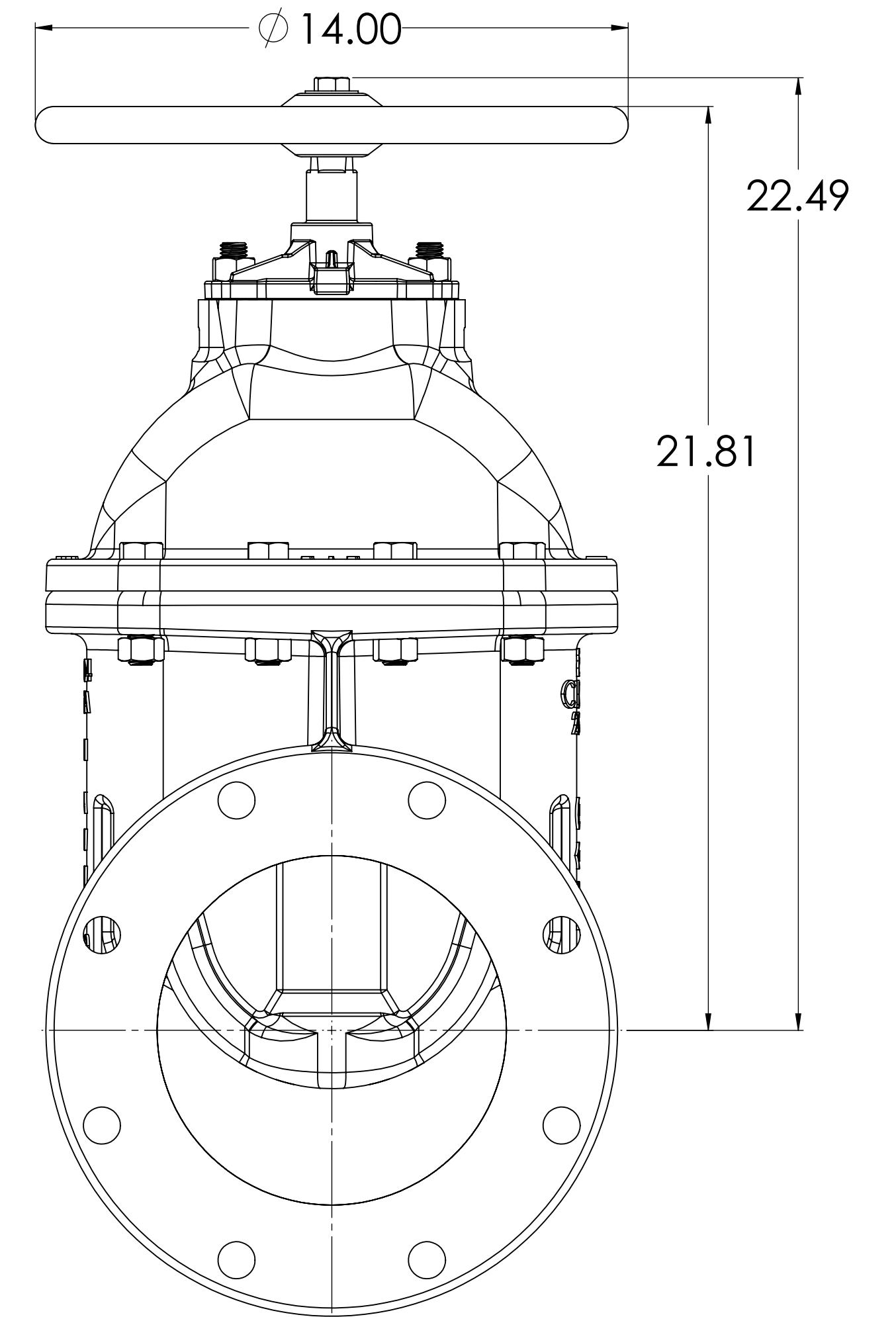
OPERATING NUT WITH  
O-RING PLATE



OPERATING NUT WITH  
INDICATOR POST PLATE

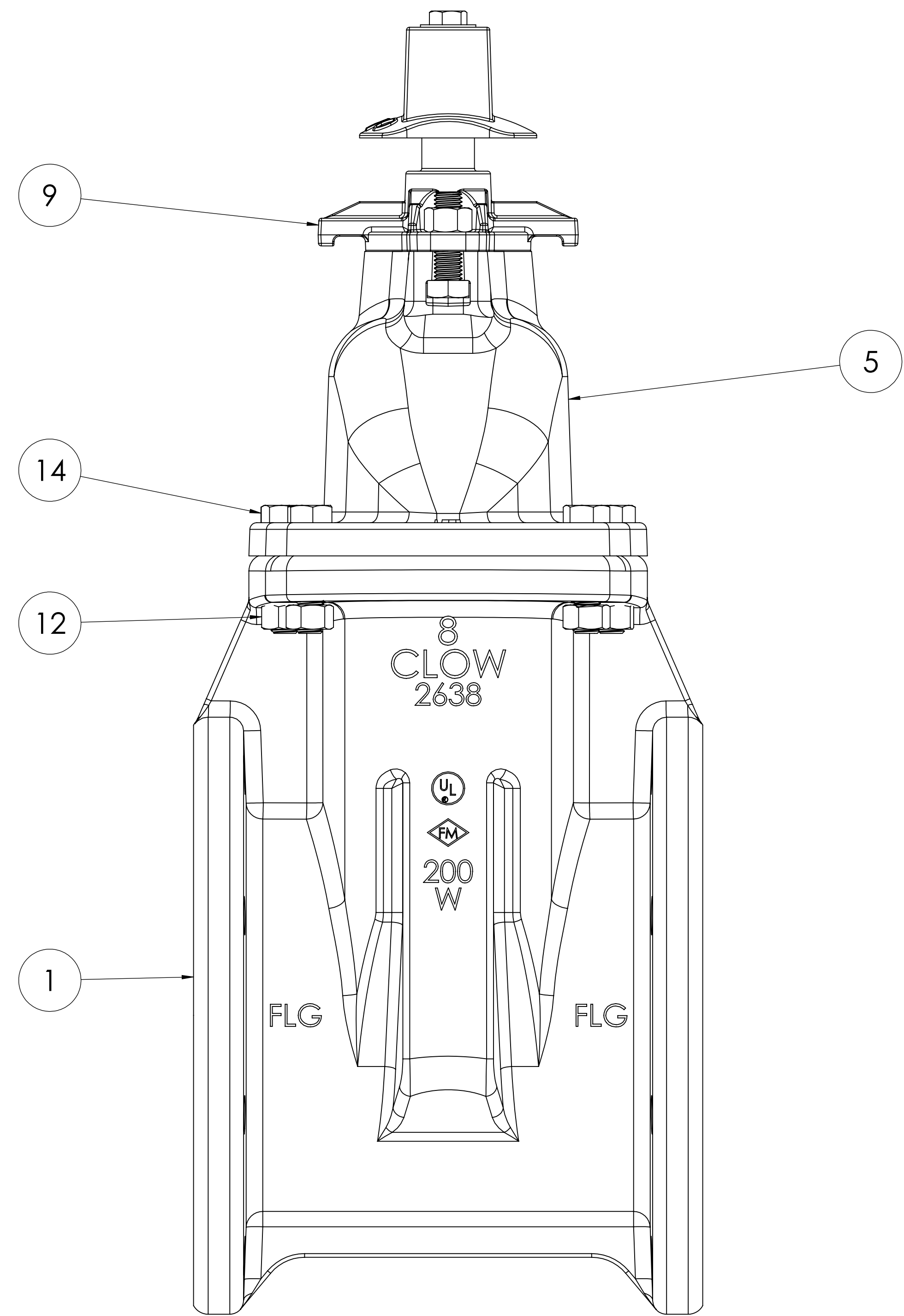
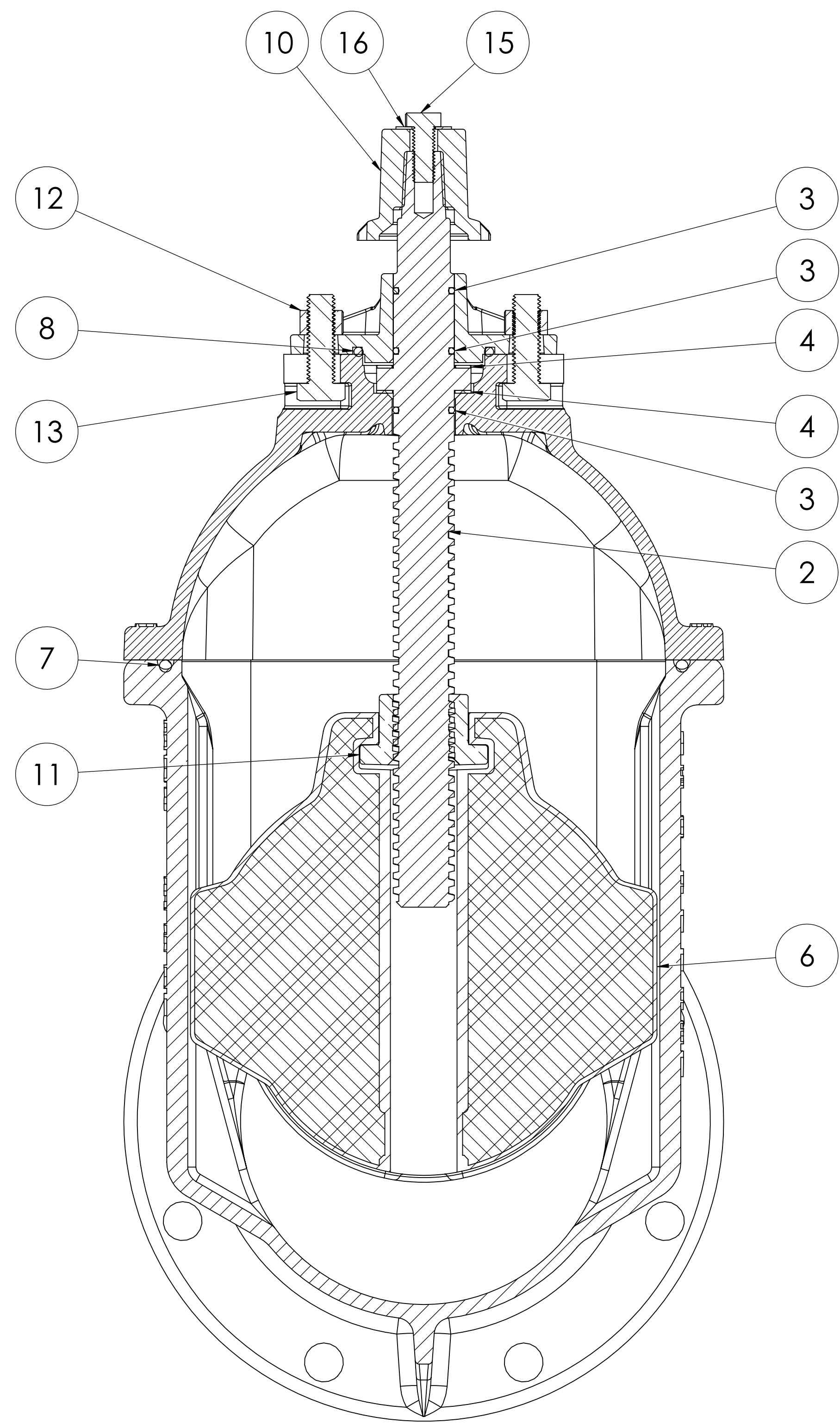


HANDWHEEL WITH  
O-RING PLATE



THIRD ANGLE PROJECTION. STANDARDS: ANSI/ASME Y14.100, Y14.1, AND Y14.41. TOLERANCES: AS FOLLOWS UNLESS OTHERWISE SPECIFIED.		PROPERTY OF MCWANE CORPORATION. ALL MODELS AND DESIGNS ARE PROPRIETARY TO MCWANE CORPORATION AND ITS SUBSIDIARIES. DISTRIBUTION IS RESTRICTED TO THE EXTENT OF THE ORDER. ALL RIGHTS RESERVED.		SHEET NO. B
CASTING TOLERANCES: 0.4": ± 0.02" 0.8": ± 0.04" 1.2": ± 0.06" 1.8": ± 0.08" MIN. RADIUS: 1/8" FINISH: Z	MACHINED DIMENSIONS: DECIMALS: ± 0.005 FRACTIONS: ± 0.004 ANGLE: ± 1° SURFACE FINISH: 125 μin RADIUS: 1/8"	MATERIAL: 08" CS15 NRS RESILIENT WEDGE	ESTIMATED WEIGHT: LBS.	DESCRIPTION: GATE VALVE
DRAWN BY: CW	DATE DRAWN: 12/2/2020	CHECKED BY: CW	SCALE: 1:5	SHEET OF: 6

**CLW**  
VALVE CO.  
3  
D



THIRD ANGLE PROJECTION. STANDARDS: ANSI/ASME Y14.100, Y14.1 AND Y14.41. TOLERANCES AS FOLLOWS UNLESS OTHERWISE SPECIFIED.		PROPERTY OF MCWANE CORPORATION. ALL RIGHTS AND RESERVE DESIGNATION ARE PROPRIETARY TO MCWANE CORPORATION AND ITS SUBSIDIARIES. REPRODUCTION OR USE WITHOUT PERMISSION OF MCWANE CORPORATION IS PROHIBITED. ALL RIGHTS RESERVED.		DATE: 12/2/2020	DRAWN BY: CW	CHECKED BY:	SCALE: 1:2	SHEET NO: 4	TOTAL SHEETS: 6
CASTING TOLERANCES		MACHINED DIMENSIONS		MATERIAL		DESCRIPTION			
0.4":	± 0.005	0.4":	± 0.005	C515 NRS		08" C515 NRS RESILIENT WEDGE			
0.8":	± 0.005	0.8":	± 0.005	C515 NRS		GATE VALVE			
1.0":	± 0.005	1.0":	± 0.005	C515 NRS					
1.5":	± 0.005	1.5":	± 0.005	C515 NRS					
2.0":	± 0.005	2.0":	± 0.005	C515 NRS					
3.0":	± 0.005	3.0":	± 0.005	C515 NRS					
4.0":	± 0.005	4.0":	± 0.005	C515 NRS					
5.0":	± 0.005	5.0":	± 0.005	C515 NRS					
6.0":	± 0.005	6.0":	± 0.005	C515 NRS					
7.0":	± 0.005	7.0":	± 0.005	C515 NRS					
8.0":	± 0.005	8.0":	± 0.005	C515 NRS					
9.0":	± 0.005	9.0":	± 0.005	C515 NRS					
10.0":	± 0.005	10.0":	± 0.005	C515 NRS					
11.0":	± 0.005	11.0":	± 0.005	C515 NRS					
12.0":	± 0.005	12.0":	± 0.005	C515 NRS					
13.0":	± 0.005	13.0":	± 0.005	C515 NRS					
14.0":	± 0.005	14.0":	± 0.005	C515 NRS					
15.0":	± 0.005	15.0":	± 0.005	C515 NRS					
16.0":	± 0.005	16.0":	± 0.005	C515 NRS					
17.0":	± 0.005	17.0":	± 0.005	C515 NRS					
18.0":	± 0.005	18.0":	± 0.005	C515 NRS					
19.0":	± 0.005	19.0":	± 0.005	C515 NRS					
20.0":	± 0.005	20.0":	± 0.005	C515 NRS					
21.0":	± 0.005	21.0":	± 0.005	C515 NRS					

CLOW VALVE CO.  
4 SHEET OF 6  
D

ITEM NO.	COMPONENT	QTY.	SIZE	STANDARD MATERIAL	MATERIAL OPTIONS
1	BODY	1	-	DUCTILE IRON	-
2	STEM	1	-	C86700	C99500 (LOW ZINC), 304 SS, 316 SS
3	O-RING	3	#216	EPDM	BUNA-N
4	THRUST WASHER	2	-	ACETAL	C26000
5	COVER	1	-	DUCTILE IRON	-
6	WEDGE	1	-	EPDM/DUCTILE IRON	-
7	O-RING	1	#447	EPDM	BUNA-N
8	O-RING	1	#335	EPDM	BUNA-N
9	O-RING PLATE	1	-	DUCTILE IRON	-
10	OPERATING NUT	1	-	CAST IRON	DUCTILE IRON, C86700, ** $\phi$ 14" HANDWHEEL**
11	STEM NUT	1	-	C87850	C87610 (LOW ZINC)
12	HEX NUT	10	5/8"-11	18-8 S	316 SS
13	HEX HEAD CAP SCREW	2	5/8"-11 X 2	18-8 SS	316 SS
14	HEX HEAD CAP SCREW	8	5/8-11 X 2 1/2	18-8 SS	316 SS
15	HEX HEAD CAP SCREW	1	1/2"-13 X 1 1/4	18-8 SS	316 SS
16	WASHER	1	1/2"	18-8 SS	316 SS

- VALVES CONFORM WITH THE FOLLOWING STANDARDS
  - AWWA C515
  - NSF 61
- LOW ZINC BRASS STEM AND STEM NUT AVAILABLE
- 100% DOMESTIC FASTENERS AND ORINGS OPTIONS AVAILABLE
- OPEN LEFT (COUNTERCLOCKWISE) AND OPEN RIGHT (CLOCKWISE) OPTIONS AVAILABLE
- TURNS TO OPEN FROM FULLY CLOSED: 26
- AWWA MAXIMUM ALLOWABLE CLOSING TORQUE 150 FT-LBS
- OPTIONAL HANDWHEEL CAN BE SUBSTITUTED FOR STANDARD 2" SQUARE OP. NUTS.
  - \*\*NOTE: STANDARD HANDWHEEL SIZE LISTED OUT IN PARTS LIST.\*\*

STANDARDS: ANSI/HANS 1.14, ISO 1141 AND 1141.1  
TOLERANCES AS FOLLOWS UNLESS OTHERWISE SPECIFIED.

PROPERTY OF MCWANE CORPORATION.  
ALL RIGHTS AND INVENTIVE DESIGNATION ARE PROPRIETARY TO  
MCWANE CORPORATION AND ITS SUBSIDIARIES.  
REPRODUCTION OR DISTRIBUTION OF THIS DOCUMENT WITHOUT THE  
WRITTEN PERMISSION OF MCWANE CORPORATION IS PROHIBITED.  
OTHERWISE ARRANGED: ALL RIGHTS RESERVED.

DESCRIPTION	B
ESTIMATED WEIGHT	LBS.
DATE DRAWN	12/2/2020
DATE CHECKED	
DRAWN BY	CW
CHECKED BY	
SCALE	1:2
SOFTWARE	Solidworks 2018 SP2

**CLW VALVE CO.**  
5 SHEET OF 6  
D