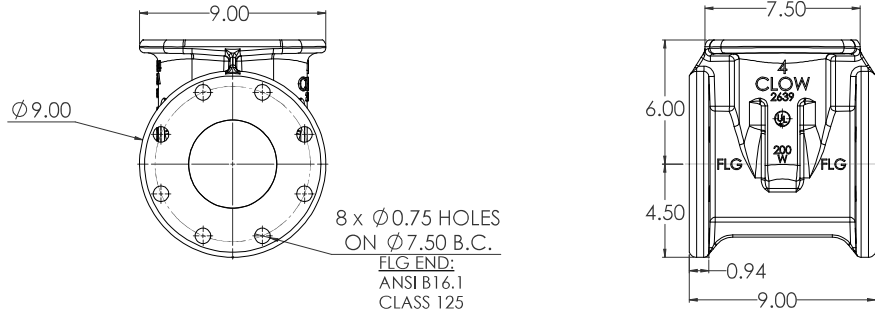
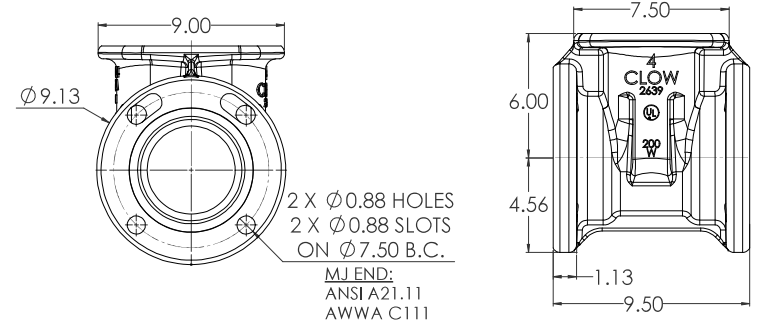


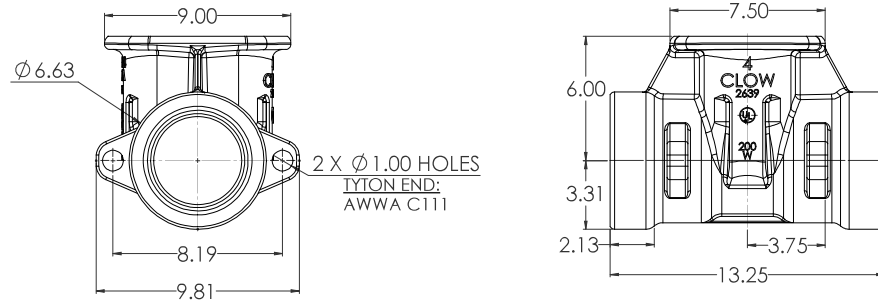
04" C509 FLG X FLG



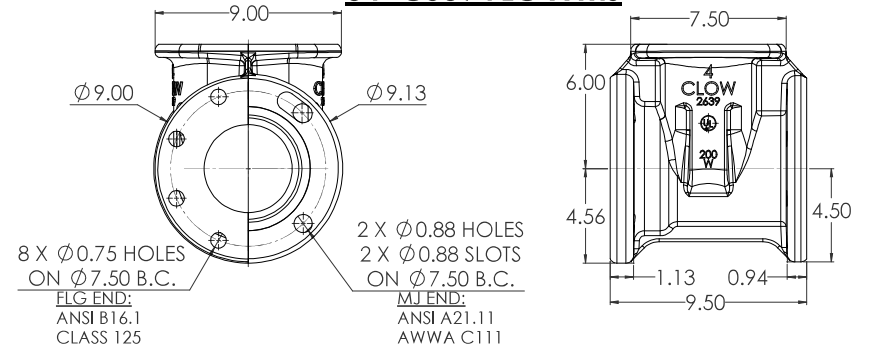
04" C509 MJ X MJ



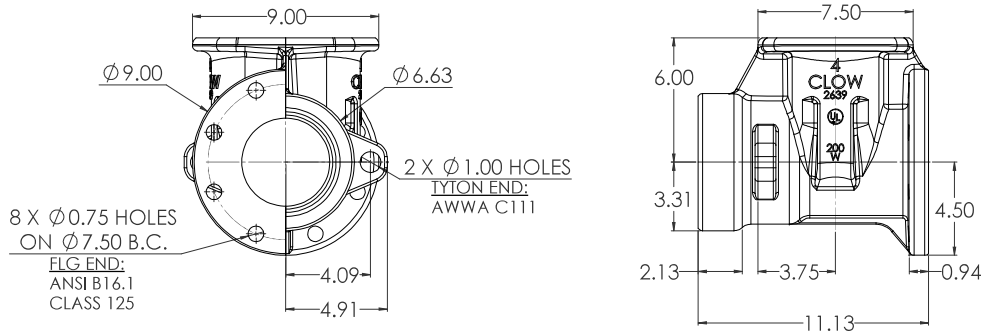
04" C509 TYTON X TYTON



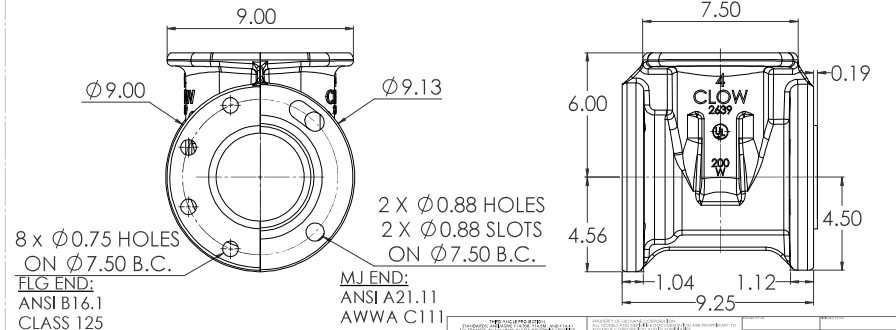
04" C509 FLG X MJ



04" C509 FLG X TYTON

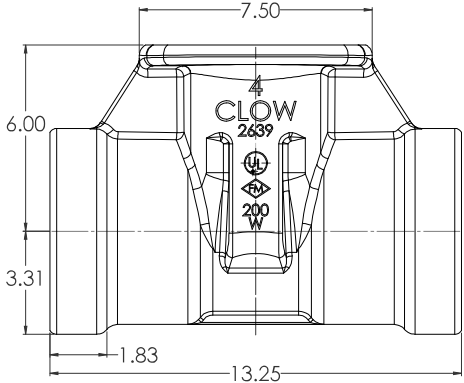
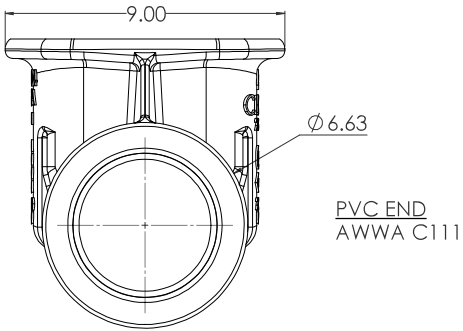


04" C509 MJ X TAP

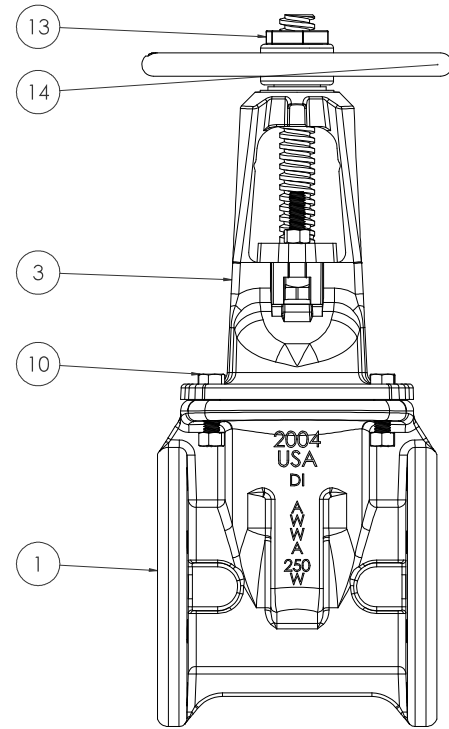
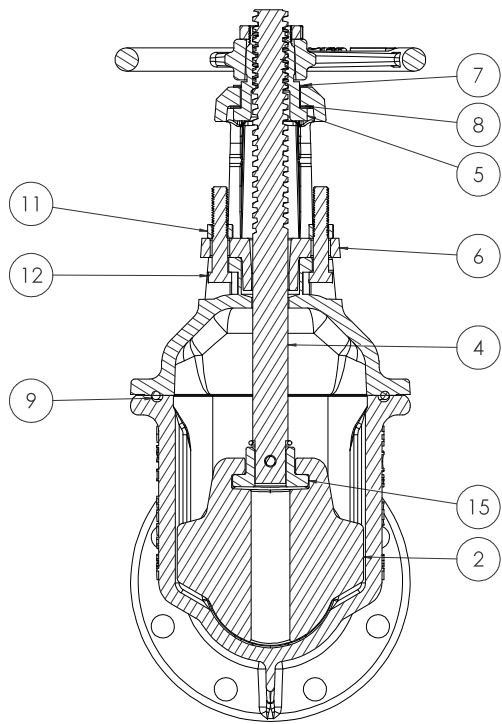


COMPANY: CLOW VALVE & PIPE WORKS ADDRESS: 1201 W. 12TH ST., ST. LOUIS, MO 63104 PHONE: (314) 241-1000 FAX: (314) 241-1001 WWW: WWW.CLOWVALVE.COM		PROJECT: 04" C509 OS&Y RESILIENT LBS. WEDGE GATE VALVE		SHEET NO: 6
DATE: 12/1/2020 DRAWN BY: CW	CHECKED BY:	SCALE: 1:3	PROJECT NO:	DRAWN BY: D

04" C509 PVC X PVC



C509 OS&Y RESILIENT LBS. WEDGE GATE VALVE		04" C509 OS&Y RESILIENT LBS. WEDGE GATE VALVE		2 6	D
DATE: 12/1/2020	DRAWN BY:	CHECKED BY:	APPROVED BY:	PROJECT NO:	SHEET NO:
12/1/2020	CW	12/1/2020	T:2	12/1/2020	6



CLW CLW Valve Co.		10000 W. 10th St. Tulsa, Oklahoma 74116		(918) 436-2200 (918) 436-2201		FAX: (918) 436-2202 E-MAIL: sales@clwvalve.com	
DATE OF REVISION: 11/02/00 BY: JAW CHECKED: JAW APPROVED: JAW	REVISED: 05/09 BY: JAW CHECKED: JAW APPROVED: JAW	PART NO.: 04-C509 OS&Y RESILIENT LBS. WEDGE GATE VALVE	MATERIAL: DI SIZE: 250	SCALE: 1:5	DATE: 02/1/2000	DRAWN BY: JAW	CHECKED BY: JAW
SHEET NO. 4 OF 6							PROJECT NO. 2016 SP2

