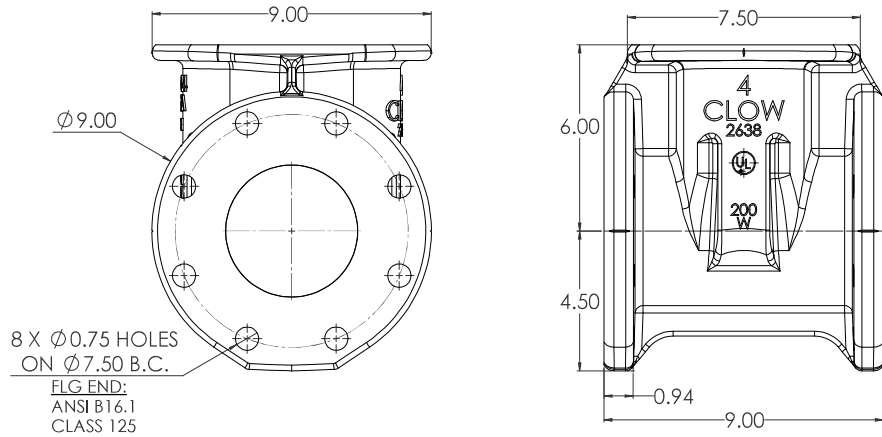
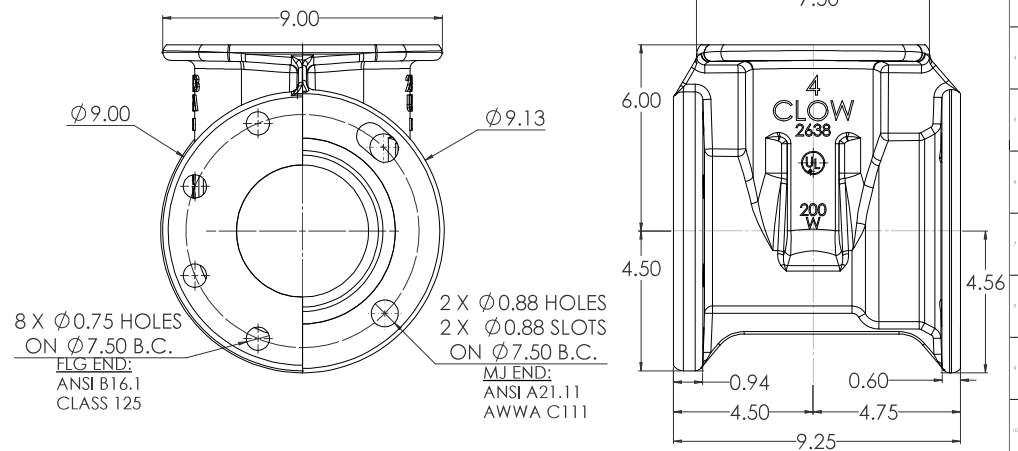


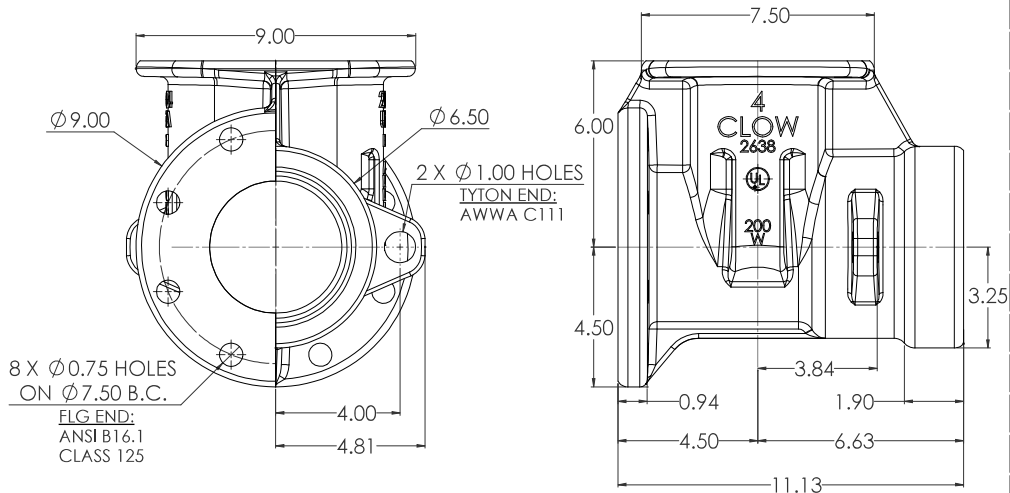
04" C515 FLG X FLG



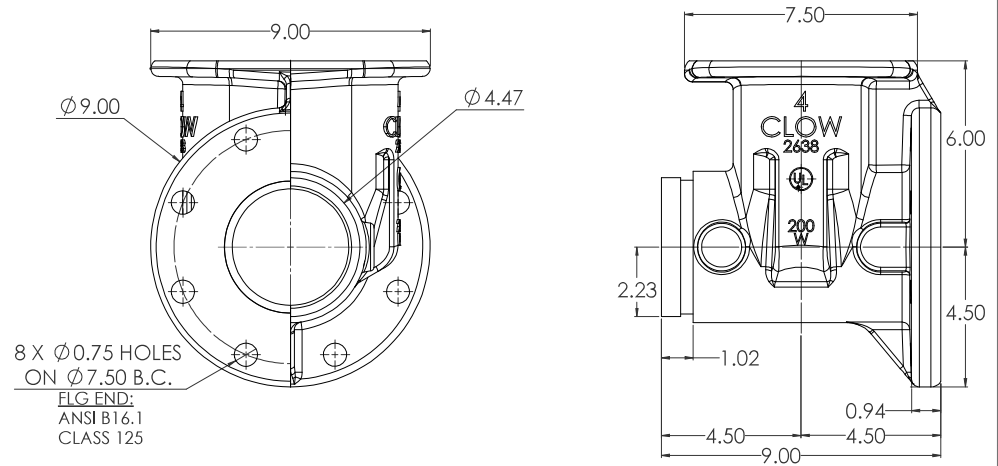
04" C515 FLG X MJ



04" C515 FLG X TYTON

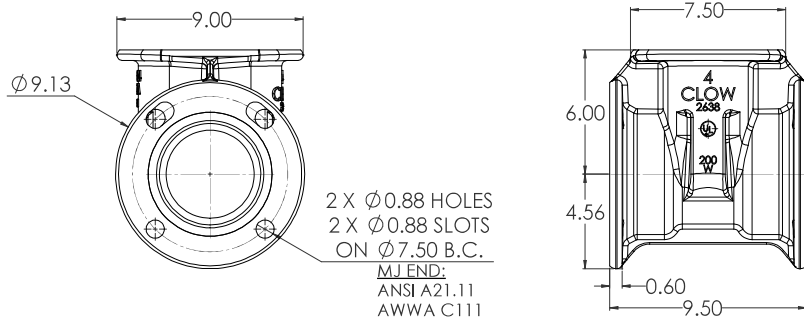


04" C515 FLG X GRVD

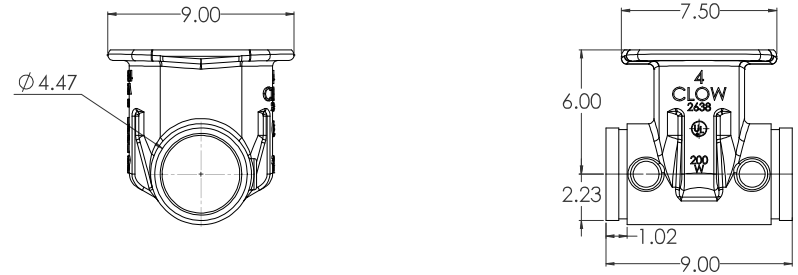


REVISIONS 1. 01/11/2020 1.00 04" C515 OS&Y RESILIENT WEDGE GATE VALVE		PROJECT: A SHEET NO: 6 TOTAL SHEETS: 6	CLW 10/11/2020
DATE: 01/11/2020 TIME: 10:00 DRAWN BY: CW CHECKED BY:	PROJECT: 04" C515 OS&Y RESILIENT WEDGE GATE VALVE SHEET NO: 6 TOTAL SHEETS: 6	SCALE: 1:2 DATE: 10/11/2020	PROJECT: A SHEET NO: 6 TOTAL SHEETS: 6

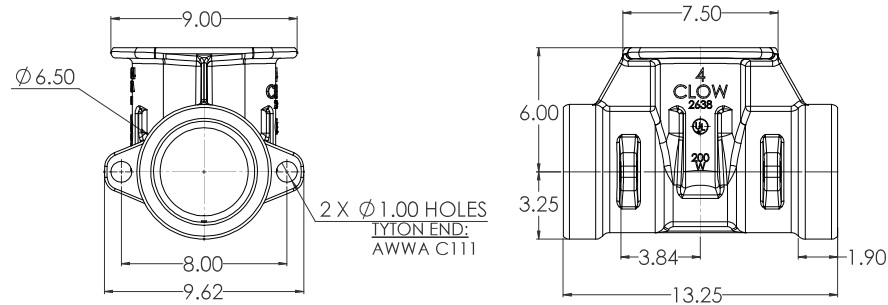
04" C515 MJ X MJ



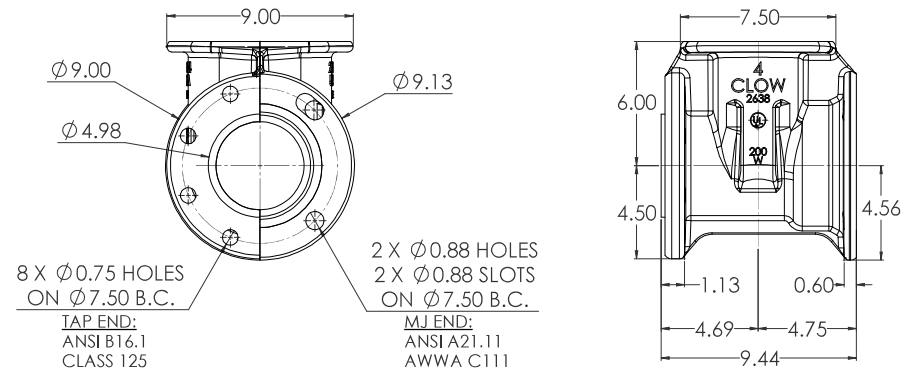
04" C515 GRVD X GRVD



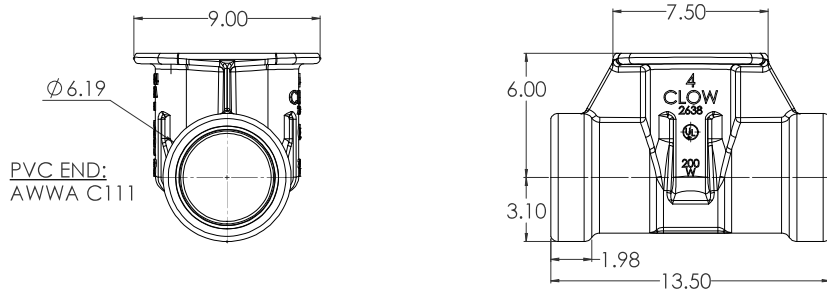
04" C515 TYTON X TYTON



04" C515 MJ X TAP

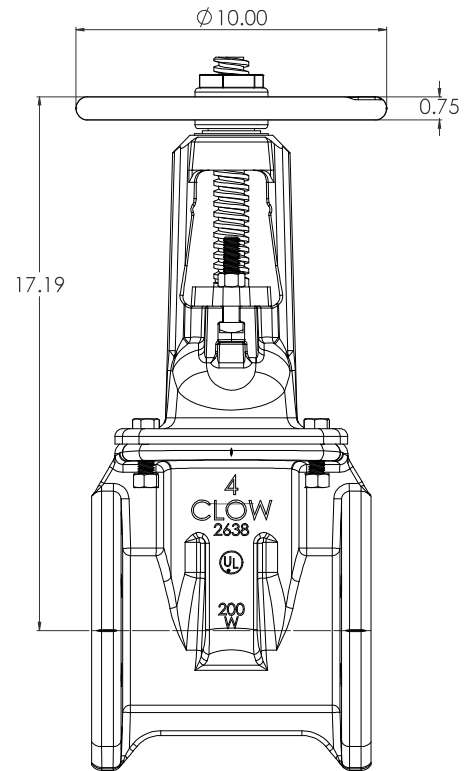
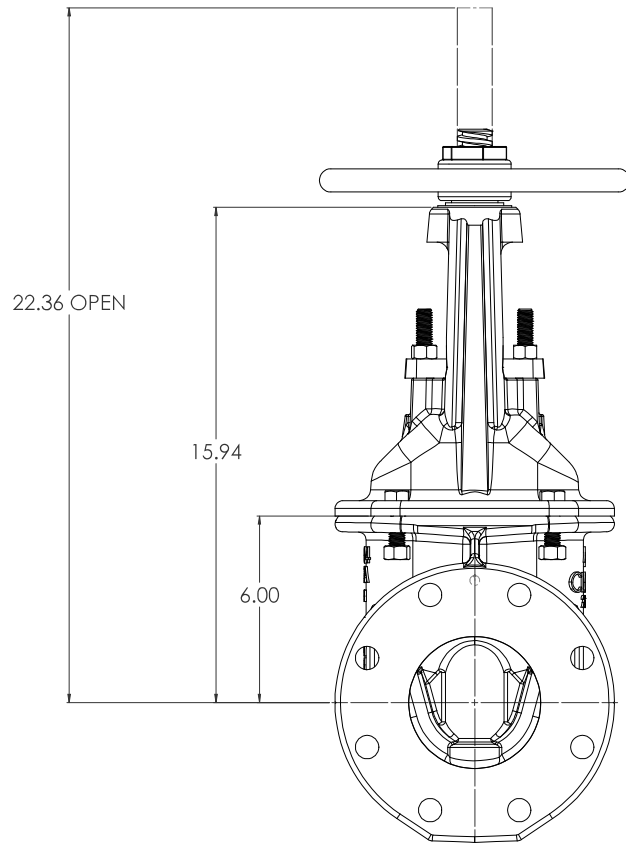


04" C515 PVC X PVC

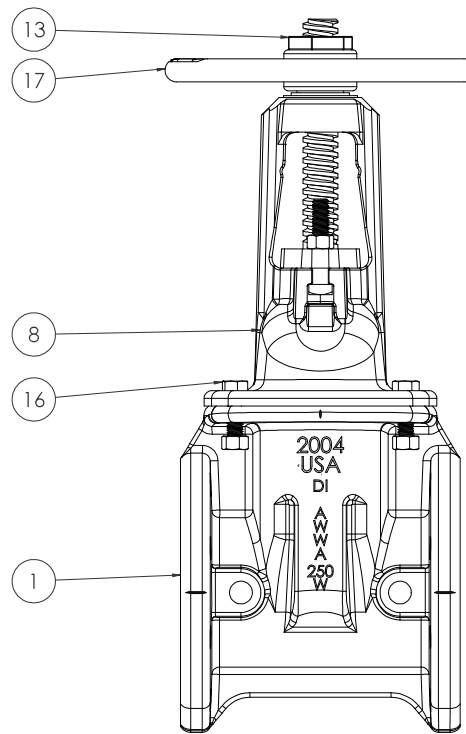
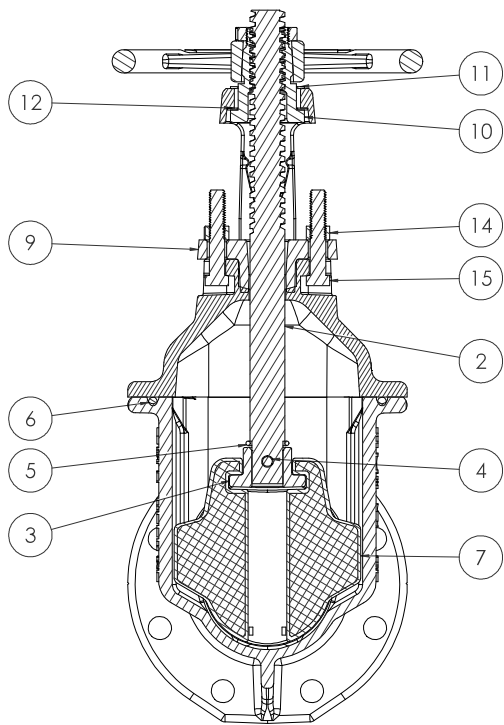


CLOW VALVE CO. 10000 W. 100th St. Omaha, NE 68137 (402) 426-1000 FAX: (402) 426-1001 WWW.CLOWVALVE.COM	04" C515 OS&Y RESILIENT LBS. WEDGE GATE VALVE	A 2 6 D	CLOW VALVE CO.
DATE: 10/01/2008 DRAWN BY: [Name] CHECKED BY: [Name] APPROVED BY: [Name]	SCALE: 1:3 SHEET NO: 6 TOTAL SHEETS: 6	PROJECT NO: [Number] CONTRACT NO: [Number]	REV: [Number] DESCRIPTION: [Text]

OS&Y WITH HANDWHEEL



CLW CLAWSON VALVE CO.		10/01/2020		1:5		3		D	
04" C515 OS&Y RESILIENT WEDGE GATE VALVE		LBS.		1:5		3		D	
10/01/2020		10/01/2020		1:5		3		D	
10/01/2020		10/01/2020		1:5		3		D	



COMPANY: CLW VALVE CO. ADDRESS: 1000 W. 10th St., Tulsa, OK 74106 PHONE: (918) 438-2200 FAX: (918) 438-2201 E-MAIL: sales@clwvalve.com WEBSITE: www.clwvalve.com		DRAWING NO.: 10000000000000000000 REV: 1 DATE: 10/01/2020		PROJECT: 04" C515 OS&Y RESILIENT WEDGE GATE VALVE LBS. 1:5 SHEET NO. 4 OF 6		DRAWN BY: CW CHECKED BY: [blank] DATE: 10/01/2020	SCALE: 1:5 SHEET NO. 4 OF 6	PROJECT NO.: 2016 SP2 SHEET NO. 4 OF 6	CLW VALVE CO.
---	--	---	--	---	--	---	--------------------------------	---	-------------------------

<u>ITEM NO.</u>	<u>COMPONENT</u>	<u>QTY.</u>	<u>SIZE</u>	<u>STANDARD MATERIAL</u>	<u>MATERIAL OPTIONS</u>
1	BODY	1	-	DUCTILE IRON	-
2	STEM	1	-	C65500	304 SS, 316 SS
3	STEM NUT	1	-	C87850	C87610 (LOW ZINC)
4	DRIVLOK PIN	1	5/16" X 1 1/4"	18-8 SS	316 SS
5	O-RING	1	#216	EPDM	BUNA-N
6	O-RING	1	#437	EPDM	BUNA-N
7	WEDGE	1	-	EPDM/DUCTILE IRON	-
8	COVER	1	-	DUCTILE IRON	-
9	GLAND	1	-	CAST IRON	-
10	TOP STEM NUT	1	-	C86700	-
11	LOWER THRUST WASHER	1	2 3/32"	C26000	-
12	THRUST WASHER	1	1 15/16"	NYLATRON	-
13	HOLD DOWN NUT	1	-	C87850	C87610
14	HEX NUT	6	1/2"-13	18-8 SS	316 SS
15	SQUARE HEAD CAP SCREW	2	1/2"-13 X 2 3/4"	18-8 SS	316 SS
16	HEX HEAD CAP SCREW	4	1/2"-13 X 1 3/4"	18-8 SS	316 SS
17	HANDWHEEL	1	10" DIA.	DUCTILE IRON	-

- VALVES CONFORM WITH THE FOLLOWING STANDARDS
 - AWWA C515
 - NSF 61
- LOW ZINC BRASS STEM AVAILABLE
- 100% DOMESTIC FASTENERS AND ORINGS OPTIONS AVAILABLE
- *OPEN LEFT* (COUNTERCLOCKWISE) AND *OPEN RIGHT* (CLOCKWISE) OPTIONS AVAILABLE
- TURNS TO OPEN FROM FULLY CLOSED: 15
- AWWA MAXIMUM ALLOWABLE CLOSING TORQUE 75 FT-LBS

CLW <small>CLW Valve & Fitting Division</small>		<small>CLW Valve & Fitting Division</small> <small>10000 10th Street, Dallas, TX 75243</small>		<small>CLW Valve & Fitting Division</small> <small>10000 10th Street, Dallas, TX 75243</small>	
<small>DATE:</small> 10/01/2020 <small>BY:</small> CW <small>APPROVED:</small>	<small>REV:</small> 1 <small>DESCRIPTION:</small> 04" C515 OS&Y RESILIENT WEDGE GATE VALVE <small>WEIGHT:</small> 150 LBS <small>SCALE:</small> 1:5	<small>PROJECT:</small>	<small>DATE:</small> 10/01/2020 <small>BY:</small> CW <small>APPROVED:</small>	<small>REV:</small> 1 <small>DESCRIPTION:</small> 04" C515 OS&Y RESILIENT WEDGE GATE VALVE <small>WEIGHT:</small> 150 LBS <small>SCALE:</small> 1:5	<small>PROJECT:</small>