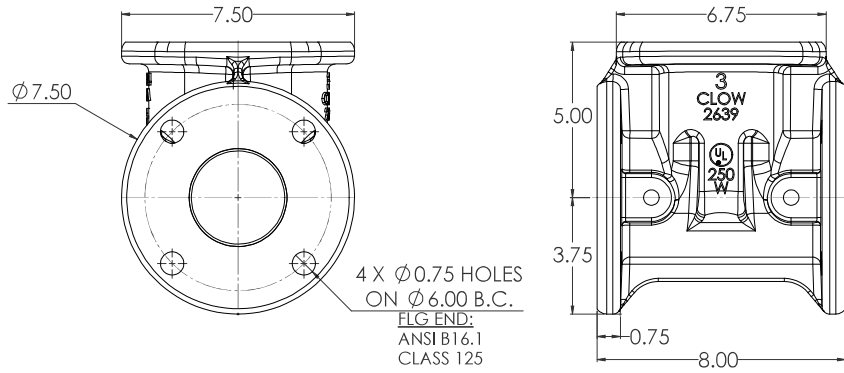
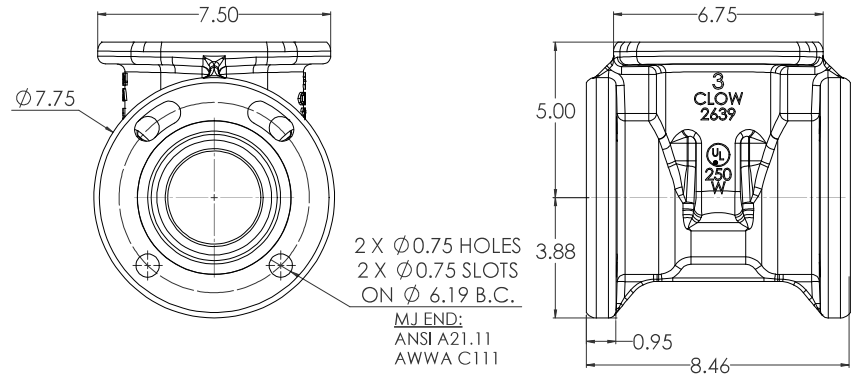


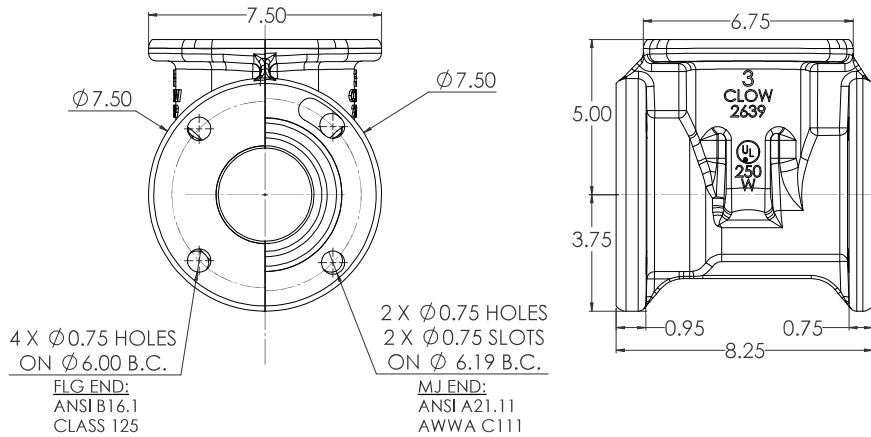
03" C509 FLG X FLG



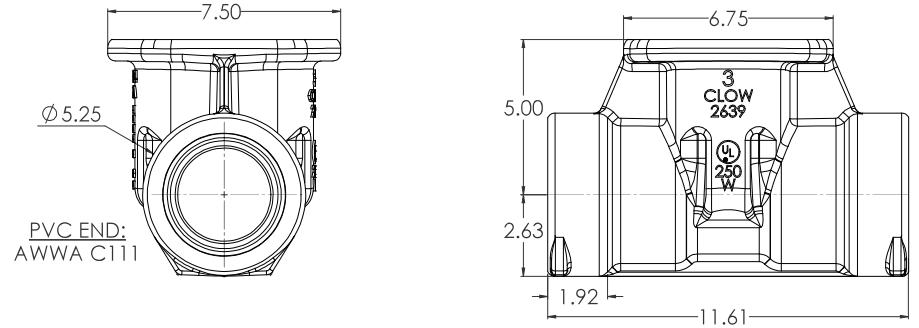
03" C509 MJ X MJ



03" C509 FLG X MJ

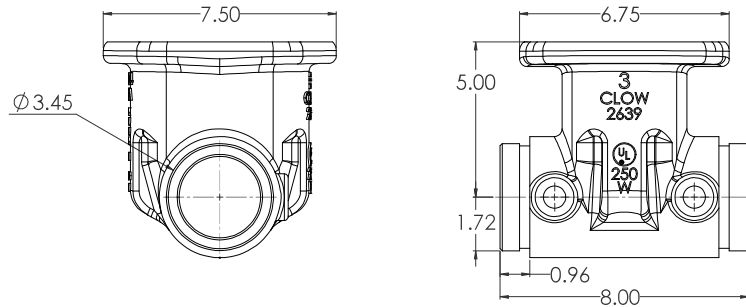


03" C509 PVC X PVC

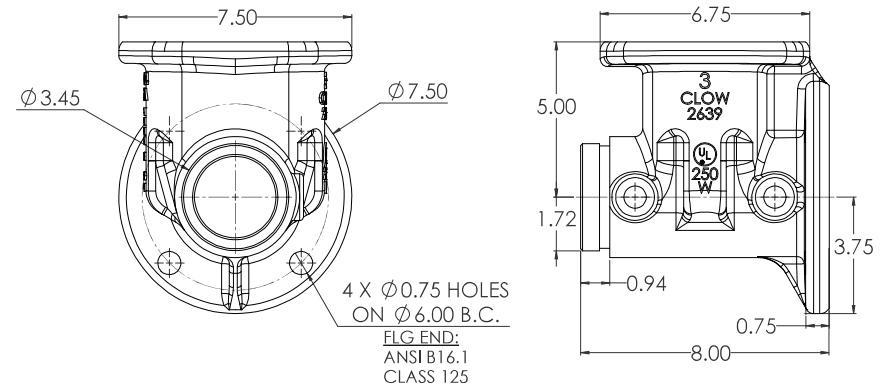


REVISIONS NO. DATE BY DESCRIPTION 1 12/1/2020 CW 12/1/2020		PROPERTY TITLE: 03" C509 OS&Y RESILIENT WEDGE GATE VALVE SCALE: 1:2 SHEET NO: 6 TOTAL SHEETS: 6		CLW 12/1/2020
---	--	--	--	-------------------------

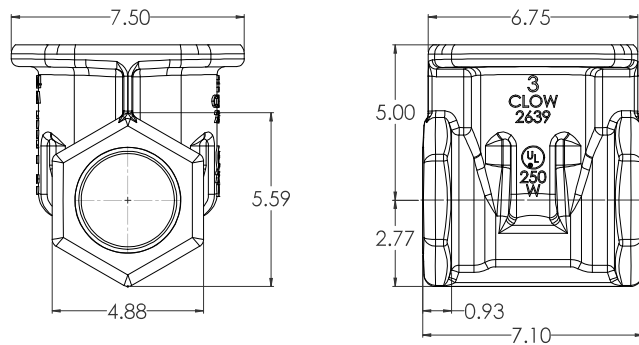
03" C509 GRVD X GRVD



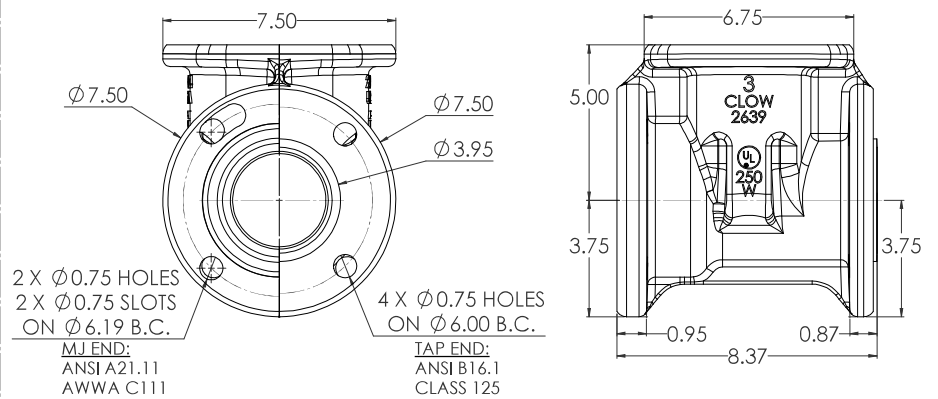
03" C509 FLG X GRVD



03" C509 THRD X THRD

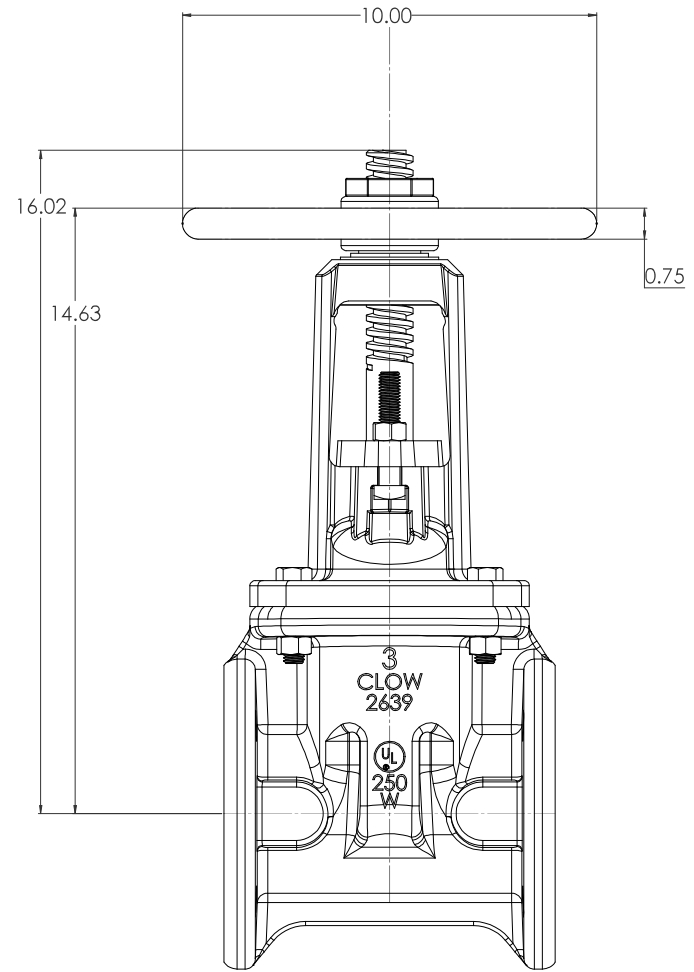
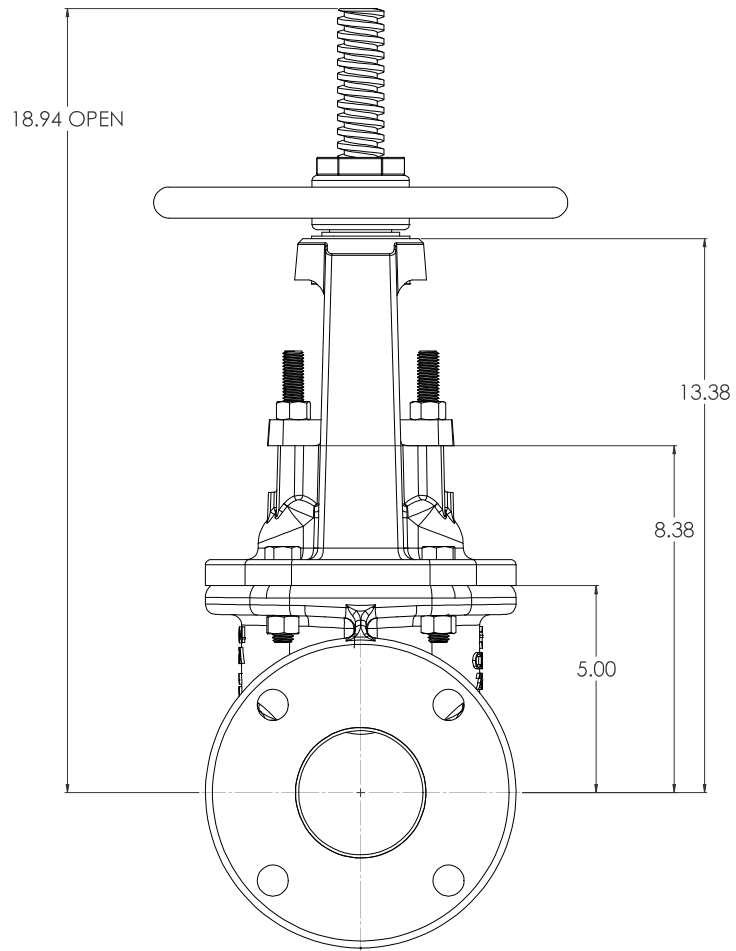


03" C509 MJ X TAP

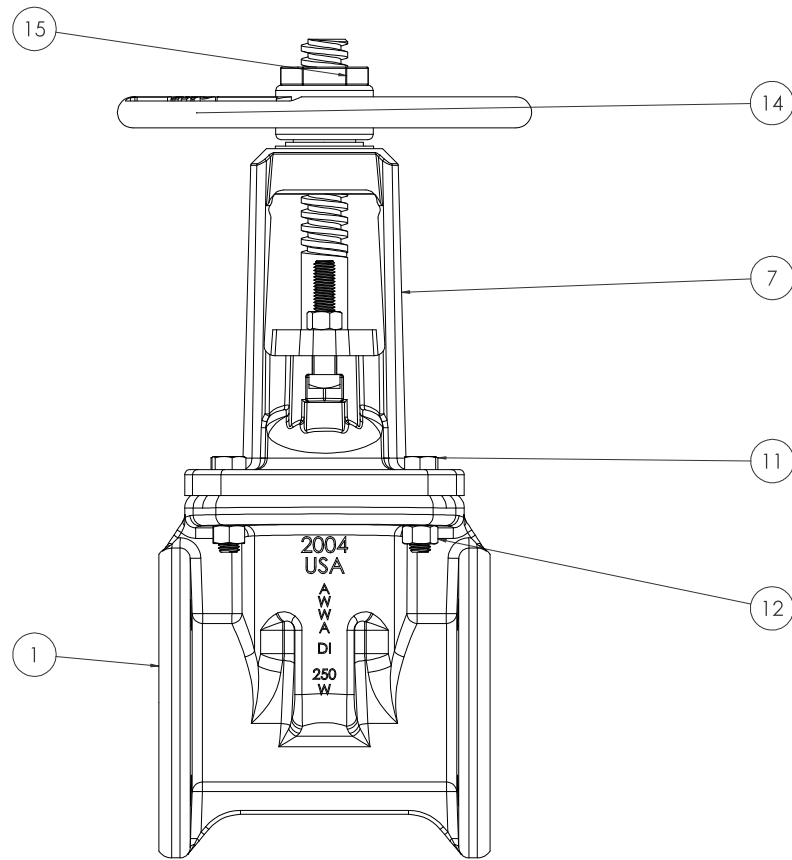
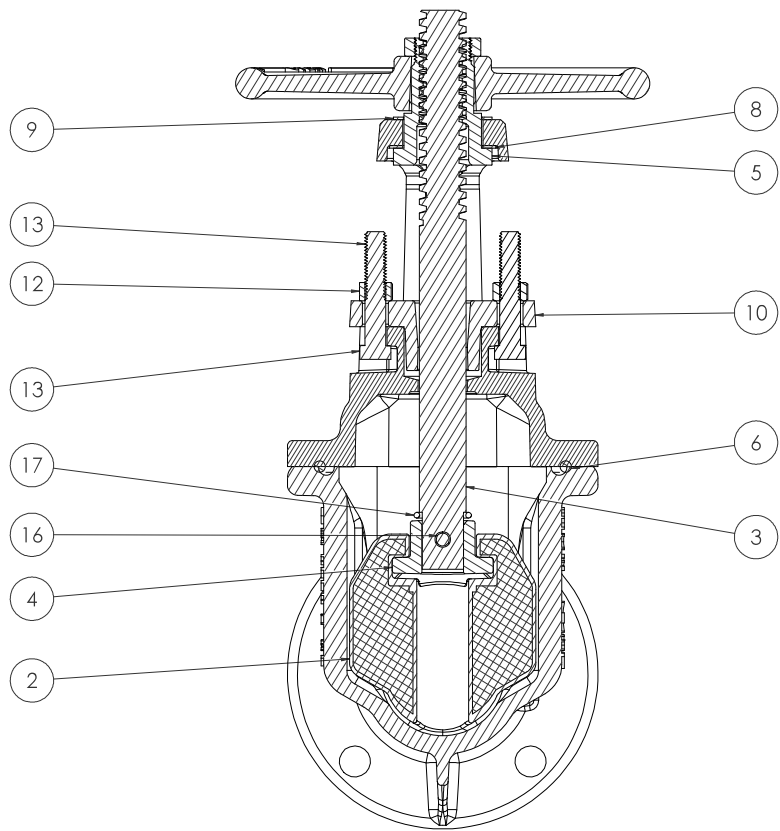


COMPANY: CLOW VALVE CO. ADDRESS: 1271/2920 CITY: CHICAGO, ILL. 60642 PHONE: (773) 399-2000 FAX: (773) 399-2001 WWW: WWW.CLOWVALVE.COM		PROJECT: 03" C509 OS&Y RESILIENT LBS. WEDGE GATE VALVE DRAWING NO.: 1271/2920 SCALE: 1:2 DATE: 2016 SP2		SHEET NO.: 2 TOTAL SHEETS: 6 APPROVED: [Signature] CHECKED: [Signature]	CLOW VALVE CO. D
--	--	--	--	--	------------------------

OS&Y WITH HANDWHEEL



<small> COMPANY: CLOW VALVE CO. 1000 W. 11TH ST. CHICAGO, ILL. 60604 PHONE: (773) 424-2000 FAX: (773) 424-2001 WWW.CLOWVALVE.COM </small>		<small> DIVISION: VALVE DIVISION PRODUCT: OS&Y VALVE MODEL: 03" C509 OS&Y RESILIENT WEDGE GATE VALVE </small>		<small> PROJECT: A DRAWING NO.: 121/2020 </small>	
<small> DATE: 12/1/2020 DRAWN BY: J. WILSON CHECKED BY: J. WILSON APPROVED BY: J. WILSON </small>	<small> DATE: 12/1/2020 DRAWN BY: J. WILSON CHECKED BY: J. WILSON APPROVED BY: J. WILSON </small>	<small> WEIGHT: 150 LBS. MATERIAL: DUCTILE IRON FINISH: POLISHED </small>	<small> SCALE: 1:5 SHEET NO.: 6 TOTAL SHEETS: 6 </small>	<small> CLOW VALVE CO. 1000 W. 11TH ST. CHICAGO, ILL. 60604 (773) 424-2000 </small>	<small> PROJECT: A DRAWING NO.: 121/2020 SHEET NO.: 6 TOTAL SHEETS: 6 </small>



COMPANY: CLW ADDRESS: 12345 Main St., Suite 100, Dallas, TX 75244 PHONE: (214) 555-1234 FAX: (214) 555-5678 WWW: www.clw.com		PROJECT: 03' C509 OS&Y RESILIENT WEDGE GATE VALVE DRAWING NO: T110 DATE: 12/1/2020 DRAWN BY: [Name]		SHEET NO: 4 TOTAL SHEETS: 6 SCALE: T:10 PROJECT NO: 2018 SPZ		CLW 12/1/2020
---	--	--	--	---	--	------------------

<u>ITEM NO.</u>	<u>COMPONENT</u>	<u>QTY.</u>	<u>SIZE</u>	<u>STANDARD MATERIAL</u>	<u>MATERIAL OPTIONS</u>
1	BODY	1	-	CAST IRON	DUCTILE IRON
2	WEDGE	1	-	EPDM/DUCTILE IRON	-
3	STEM	1	STEM	C65500	304 SS, 316 SS
4	STEM NUT	1	-	C87850	C87610 (LOW ZINC)
5	TOP STEM NUT	1	-	C86700	-
6	O-RING	1	#427	EPDM	BUNA-N
7	COVER	1	-	CAST IRON	DUCTILE IRON
8	THRUST WASHER	1	1 15/16"	NYLATRON	-
9	LOWER THRUST WASHER	1	2 3/32"	C26000	-
10	GLAND	1	-	CAST IRON	-
11	HEX HEAD CAP SCREW	4	1/2"-13 X 2"	18-8 SS	316 SS
12	HEX NUT	6	1/2"-13	18-8 SS	316 SS
13	SQUARE HEAD CAP SCREW	2	1/2"-13 X 2 3/4"	18-8 SS	316 SS
14	HANDWHEEL	1	Ø 10"	18-8 SS	316 SS
15	HOLD DOWN NUT	1	-	18-8 SS	316 SS
16	DRIVLOK PIN	1	5/16 X 1 1/2"	303 SS	-
17	O-RING	1	#216	EPDM	BUNA-N

- VALVES CONFORM WITH THE FOLLOWING STANDARDS
 - AWWA C509
 - NSF 61
- LOW ZINC BRASS STEM AND STEM NUT AVAILABLE
- 100% DOMESTIC FASTENERS AND ORINGS OPTIONS AVAILABLE
- *OPEN LEFT* (COUNTERCLOCKWISE) AND *OPEN RIGHT* (CLOCKWISE) OPTIONS AVAILABLE
- TURNS TO OPEN FROM FULLY CLOSED: 9
- AWWA MAXIMUM ALLOWABLE CLOSING TORQUE 52 FT-LBS

<small>CLW</small> <small>CLW</small>		<small>CLW</small> <small>CLW</small>		<small>CLW</small> <small>CLW</small>	
<small>DATE</small> <small>REV</small> <small>BY</small> <small>CHKD</small> <small>APPV</small>	<small>DATE</small> <small>REV</small> <small>BY</small> <small>CHKD</small> <small>APPV</small>	<small>DESCRIPTION</small> <small>REV</small>	<small>QUANTITY</small> <small>REV</small>	<small>UNIT</small> <small>REV</small>	<small>PRICE</small> <small>REV</small>
<small>03" C509 OS&Y RESILIENT</small> <small>LBS. WEDGE GATE VALVE</small>			<small>5</small>	<small>6</small>	<small>5</small> <small>6</small>
<small>CW</small>		<small>12/1/2020</small>	<small>T:10</small>	<small>5</small>	<small>6</small>