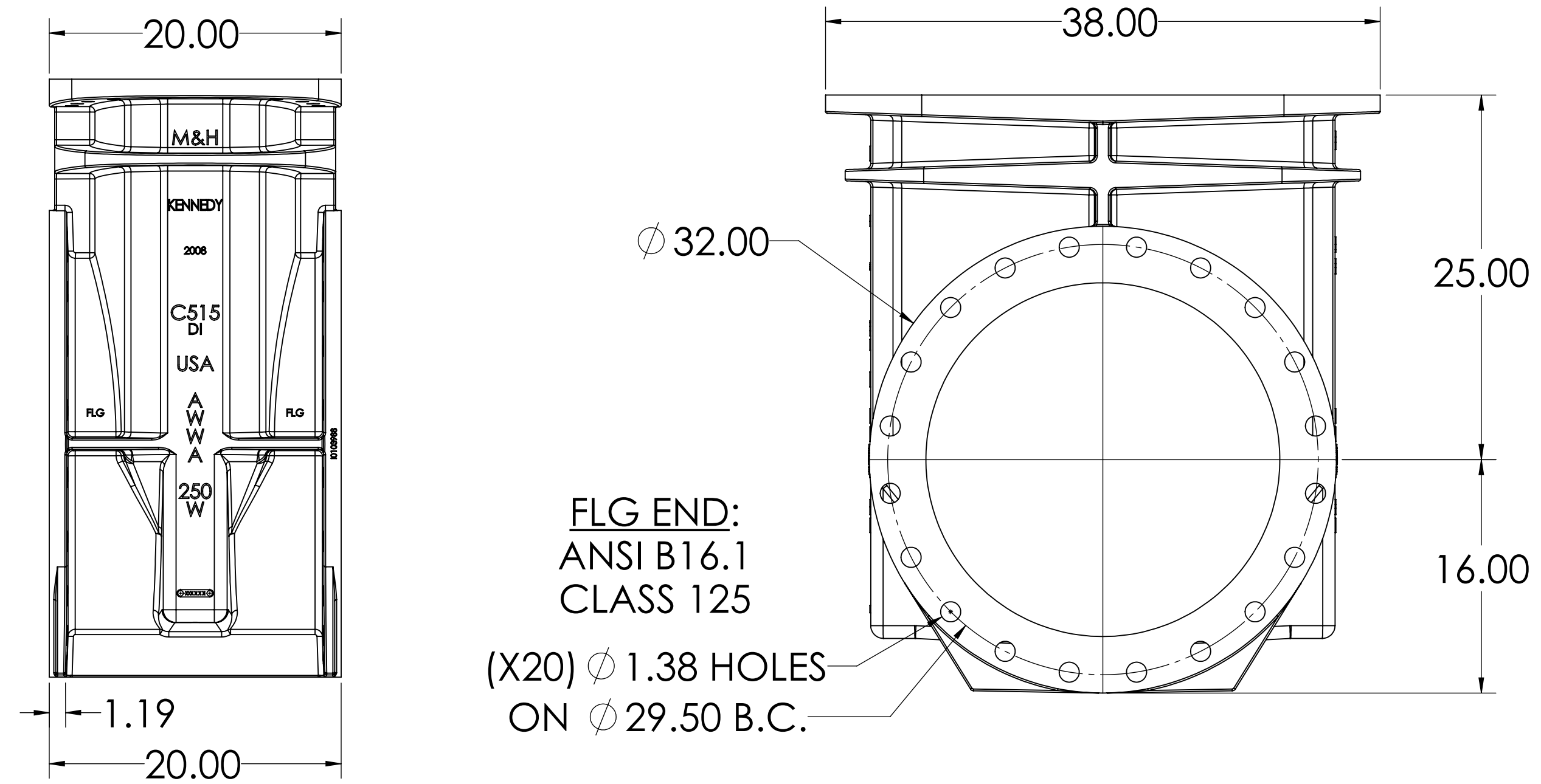
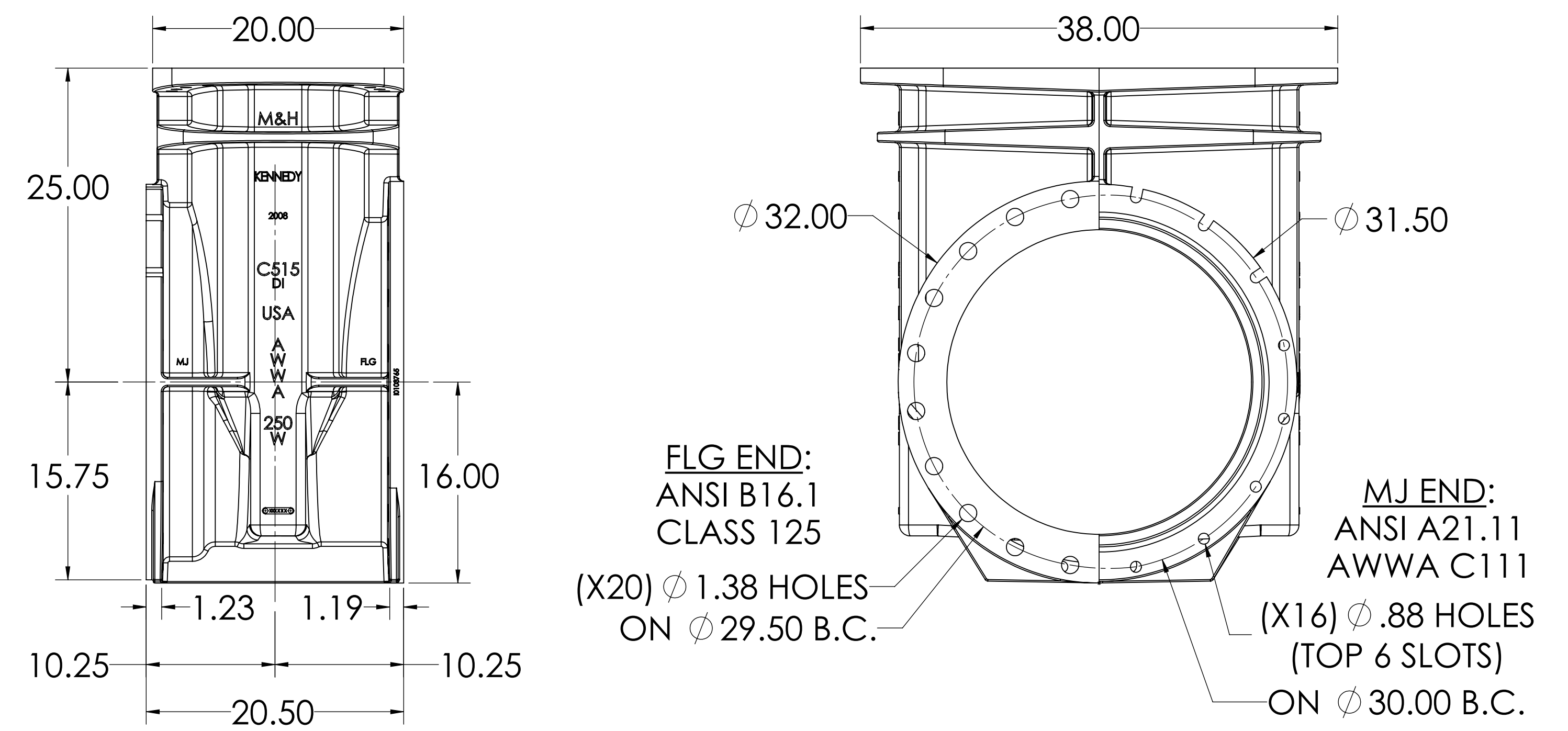


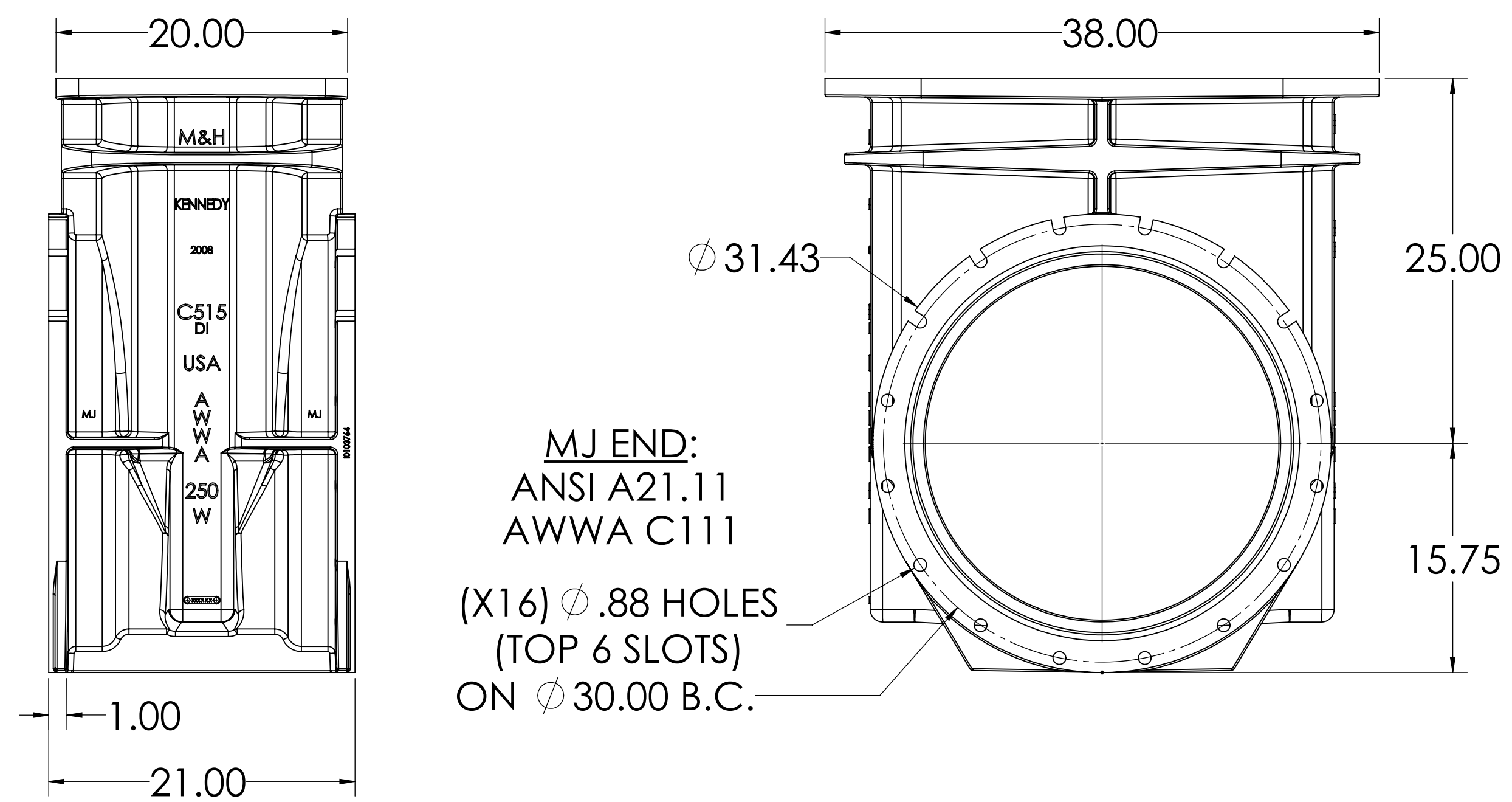
24" C515 FLG X FLG



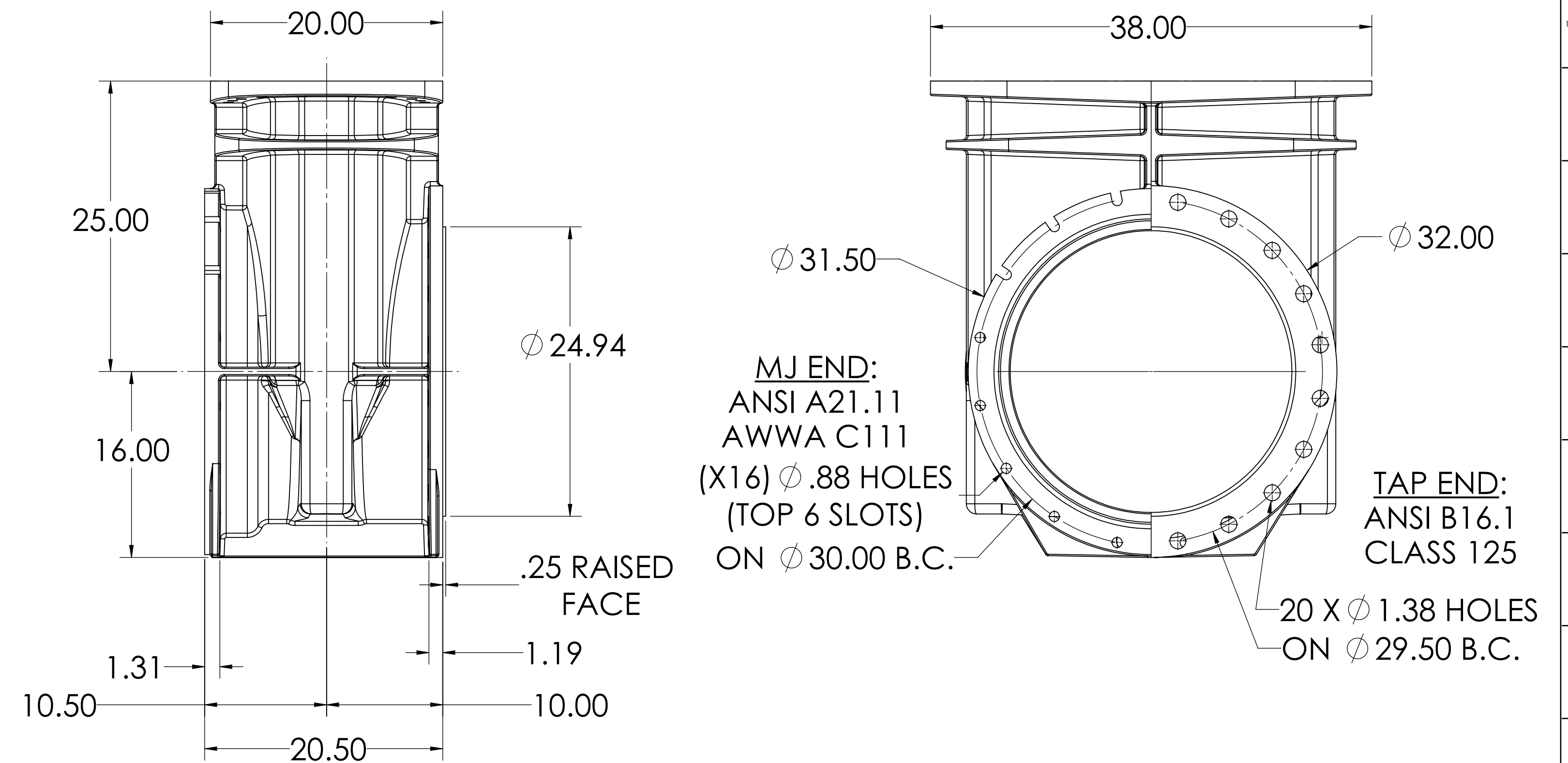
24" C515 FLG X MJ



24" C515 MJ X MJ

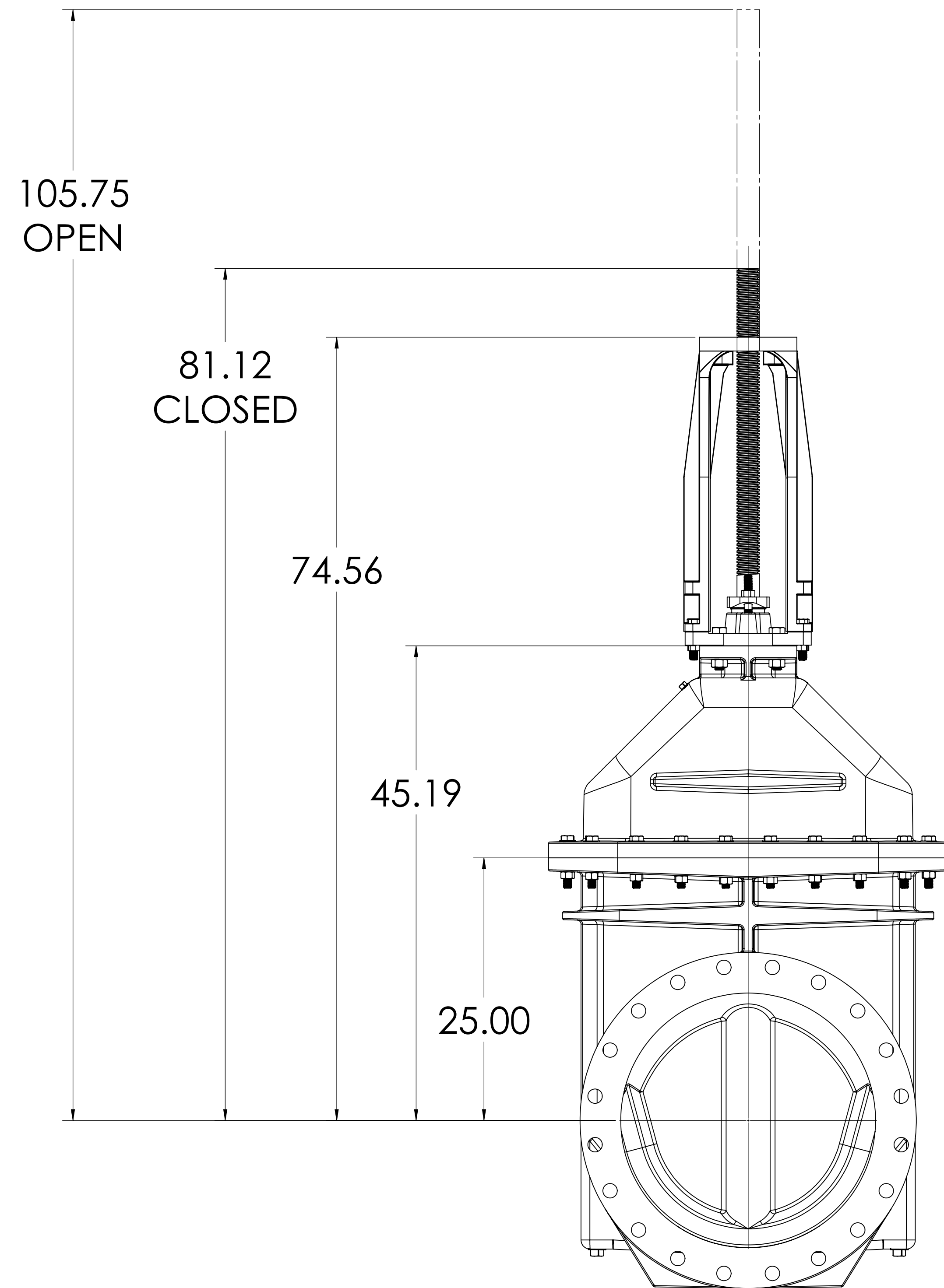


24" C515 MJ X TAP



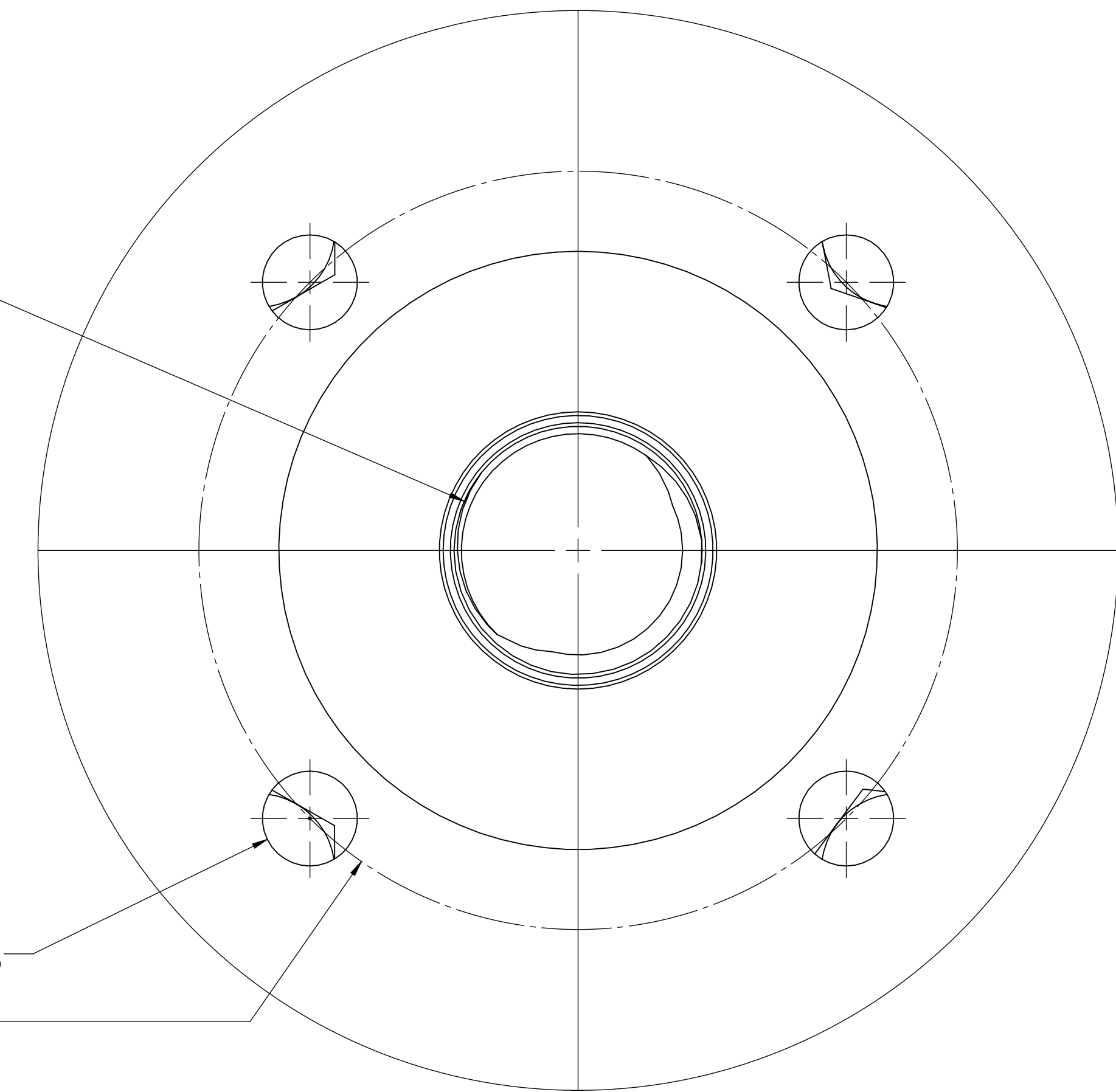
THIRD ANGLE PROJECTION. STANDARDS: ANSI/MANUFACTURER (SEE TITLE BLOCK AND PFD 11.4.1). TOLERANCES: AS FOLLOWS UNLESS OTHERWISE SPECIFIED.		PROPERTY OF MCWANE CORPORATION. ALL DIMENSIONS AND IDENTIFYING INFORMATION ARE PROPRIETARY TO MCWANE CORPORATION AND ITS SUBSIDIARIES. REPRODUCTION OR TRANSMISSION OF THIS INFORMATION IS PROHIBITED WITHOUT THE WRITTEN CONSENT OF MCWANE CORPORATION. ALL RIGHTS RESERVED.		DESCRIPTION: 24" OS&Y C515 RESILIENT WEDGE GATE VALVE	SCALE: 1:8	SHEET OF 7	CLW VALVE CO.
CASTING TOLERANCES:	MATCHED DIMENSIONS:	MATERIAL:	ESTIMATED WEIGHT:	LBS.	DATE DRAWN: 12/14/20	DRAWN BY: DWI	CHECKED BY: CDE
6-8": ± 0.005	DECIMALS: ± 0.005	FRACCTIONS: 1/16"					
8-12": ± 0.004	FRACTIONS: 1/16"	ANGLE: 1/16"					
13-18": ± 0.003	ANGLE: 1/16"	SURFACE FINISH: 125 μin					
18-UP": ± 0.002	RADE: 1/16"						
MIN RADIUS: MIN DRAFT:	1/8" 2°						

BARE STEM



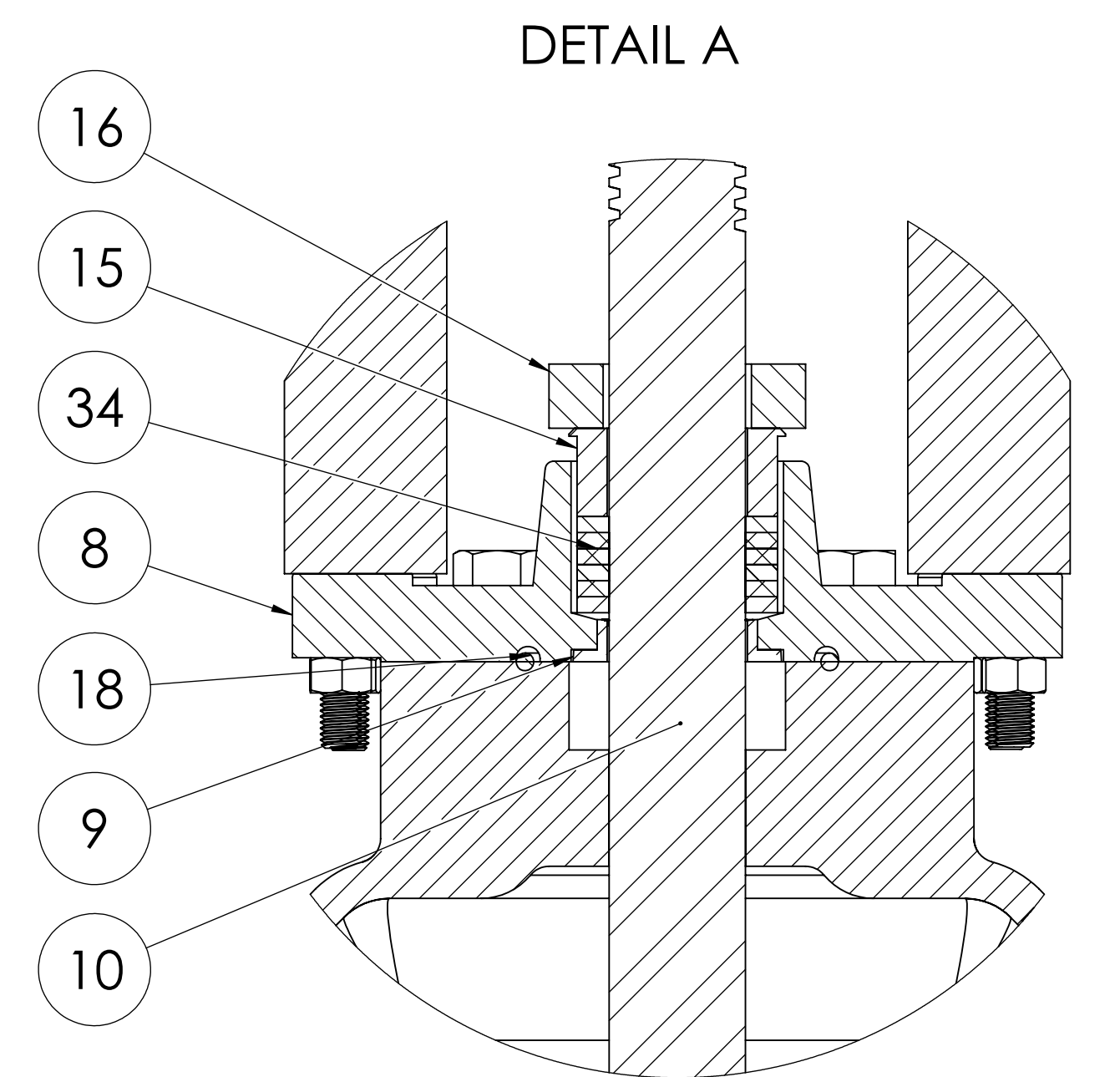
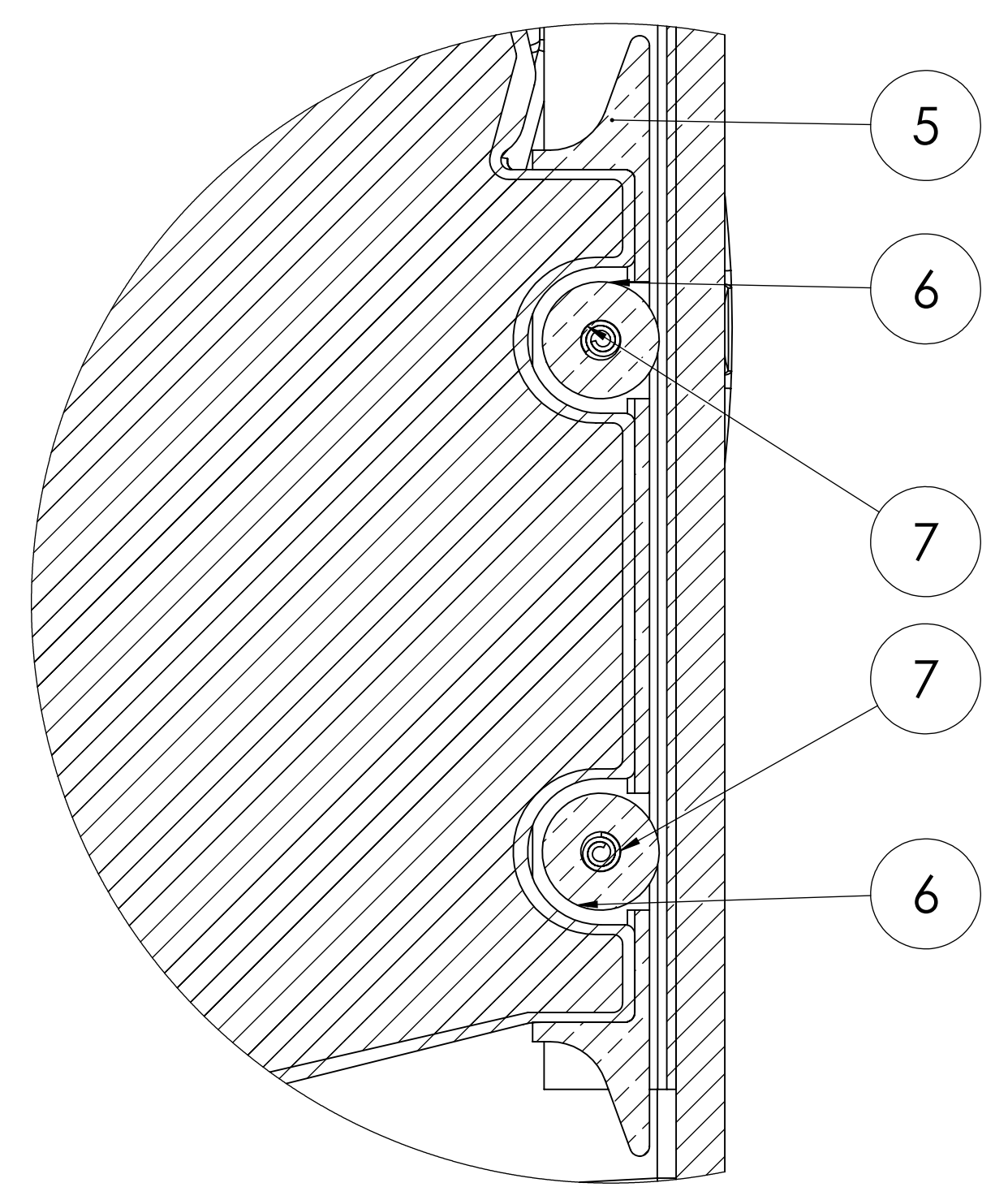
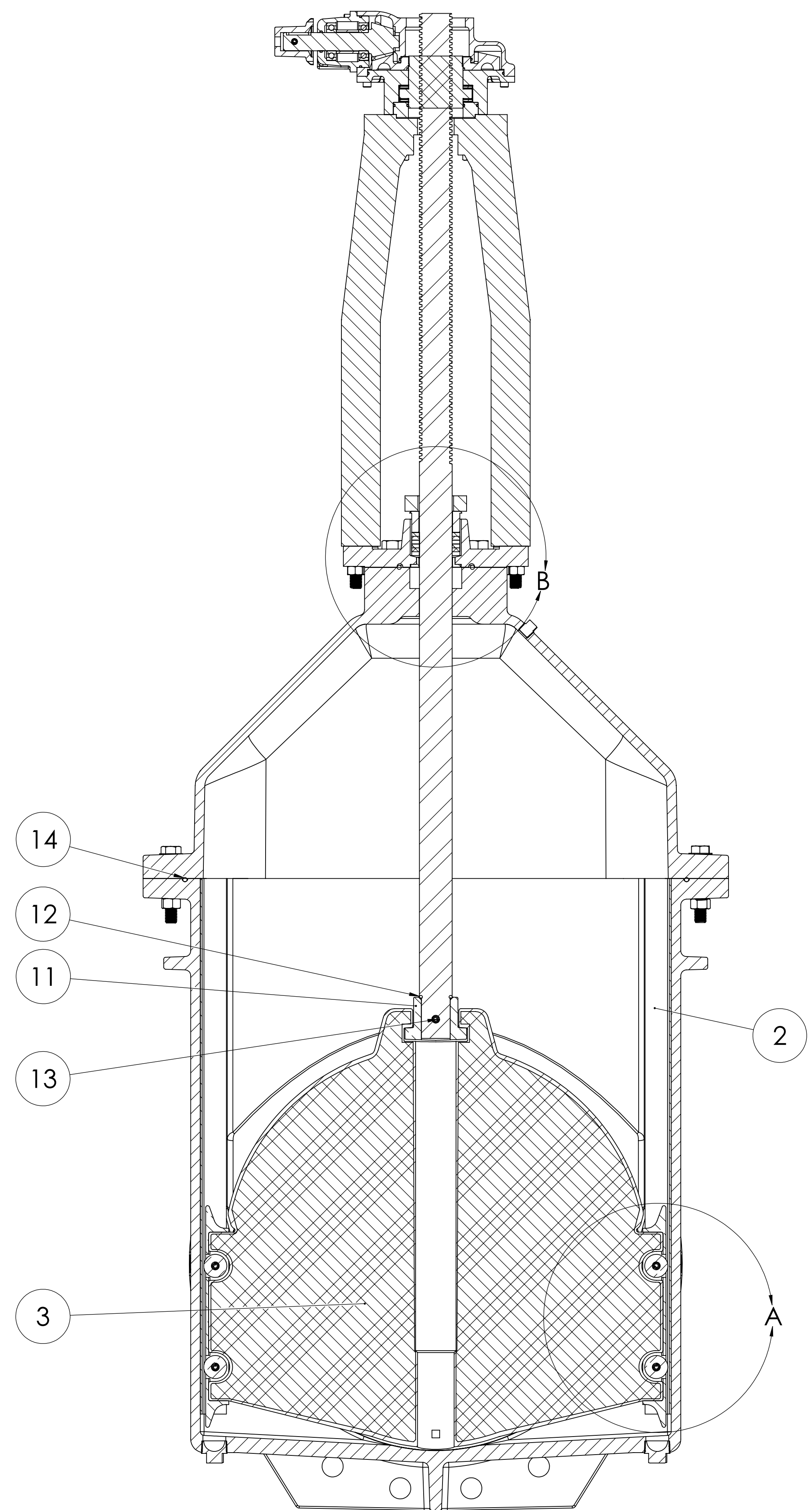
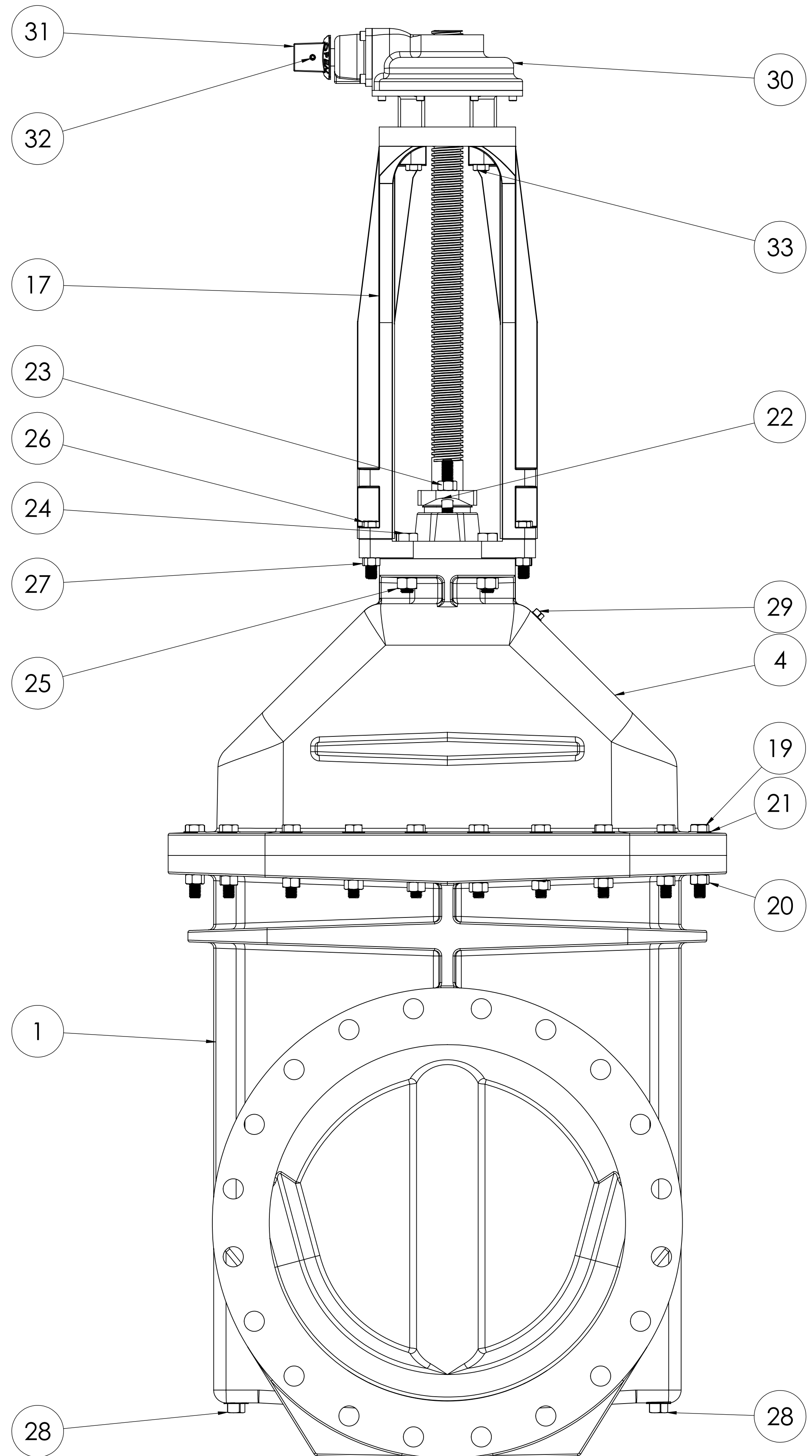
Ø 2.13
STEM

STANDARD
FA16 MOUNTING
(X4) Ø .813 HOLES
ON Ø 6.50 B.C.



BARE STEM
MOUNTING FLANGE

THIRD ANGLE PROJECTION STANDARDS: ANSI/ASME Y14.100, Y14.101, AND Y14.141 TOLERANCES: AS FOLLOWS UNLESS OTHERWISE SPECIFIED.		PROPERTY OF MCWANE CORPORATION. ALL DIMENSIONS AND IDENTIFYING INFORMATION ARE PROPRIETARY TO MCWANE CORPORATION AND ITS SUBSIDIARIES. REPRODUCTION OR USE WITHOUT PERMISSION IS PROHIBITED UNLESS OTHERWISE ARRANGED. ALL RIGHTS RESERVED.		DATE: 12/14/20	DRW BY: DWI	CHECKED BY:	SCALE: 1:8	SHEET NO: 7	TOTAL SHEETS: 7	
CASTING TOLERANCES: 6-4": ± 0.005 6-8": ± 0.004 8-12": ± 0.003 12-18": ± 0.002 18-UP": ± 0.001		MACHINED DIMENSIONS: DECIMALS: ± 0.005 FRACTIONS: ± 0.004 ANGLE: ± 0.004 SURFACE FINISH: 125 μin RA: 1/8"		MATERIAL: 24" OS&Y C515 RESILIENT WEDGE		ESTIMATED WEIGHT: LBS.		DESCRIPTION: 24" OS&Y C515 RESILIENT WEDGE GATE VALVE		CLW VALVE CO.



STANDARDS AND DIMENSIONS SHALL BE AS SHOWN AND UNLESS OTHERWISE SPECIFIED.		PROPERTY OF MCWANE CORPORATION. ALL RIGHTS RESERVED. THIS DRAWING AND ITS CONTENTS ARE PROPRIETARY TO MCWANE CORPORATION AND ITS SUBSIDIARIES. NO REPRODUCTION OR TRANSMISSION IN ANY FORM OR BY ANY MEANS, ELECTRONIC OR MECHANICAL, INCLUDING PHOTOCOPYING, RECORDING, OR BY ANY INFORMATION STORAGE AND RETRIEVAL SYSTEM, IS PERMITTED WITHOUT THE WRITTEN PERMISSION OF MCWANE CORPORATION. ALL RIGHTS RESERVED.		DATE: 12/14/20	DESIGNER: DWI	CHECKER: DWI	SCALE: 1:5	SOLIDWORKS: Solidworks 2018 SP2
CASTING TOLERANCES:		MACHINED DIMENSIONS:		MATERIAL: 24" OS&Y C515 RESILIENT WEDGE		ESTIMATED WEIGHT: LBS.		DESCRIPTION: 24" OS&Y C515 RESILIENT WEDGE GATE VALVE
1/4": ± 0.010	1/2": ± 0.015	DECIMALS: ± 0.005	FRACTIONS: ± 0.001	DATE: 12/14/20		SHEET NO: 5		SHEET OF: 7
3/4": ± 0.015	1": ± 0.020	ANGLES: ± 0.1°	SURFACE FINISH: 125 μin	DWI		D		
1 1/2": ± 0.025	2": ± 0.030	MIN RADII: 1/8"	RAD: 1/8"	DWI		DWI		

ITEM NO.	COMPONENT	QTY.	SIZE	STANDARD MATERIAL	MATERIAL OPTIONS
1	BODY	1	-	DUCTILE IRON	-
2	TRACK	2	-	316 SS	-
3	WEDGE	1	-	DUCTILE IRON / EPDM	-
4	COVER	1	-	DUCTILE IRON	-
5	SCRAPER	2	-	C95500	-
6	ROLLER	4	-	C95400	-
7	COILED SPRING PIN	4	1/2" x 2 3/4"	18-8 SS	-
8	STUFFBOX	1	-	DUCTILE IRON	-
9	BUSHING	1	-	C87850	-
10	STEM	1	-	C95400	304 SS, 316 SS
11	STEM NUT	1	-	C87850	C87610
12	O-RING	1	#327	EPDM	BUNA-N
13	PIN	1	1/2" x 3 1/4"	303 SS	-
14	O-RING	1	#474	EPDM	BUNA-N
15	PACKING GLAND	1	-	C87850	-
16	FOLLOWER	1	-	DUCTILE IRON	-
17	YOKE	1	-	DUCTILE IRON	-
18	O-RING	1	#425	EPDM	BUNA-N
19	CAPSCREW	20	3/4" x 4 1/2"	18-8	316 SS
20	HEX NUT	20	3/4" - 10	18-8	316 SS
21	FLAT WASHER	20	3/4"	18-8	316 SS
22	STUD	2	3/4" x 4 1/2"	316 SS	-
23	HEX NUT	2	3/4" - 10	BRASS	-
24	CAPSCREW	4	7/8" x 3 1/2"	18-8	316 SS
25	HEX NUT	4	7/8" - 9	18-8	316 SS
26	CAPSCREW	8	5/8" x 3 1/2"	18-8	316 SS
27	HEX NUT	8	5/8" - 11	18-8	316 SS
28	PLUG	2	1 1/4" - NPT	304 SS	316 SS
29	PLUG	1	1/2" - NPT	304 SS	316 SS
30	GEAR	1	1B7	BEVEL GEAR	SPUR GEAR
31	OPERATING NUT	1	-	DUCTILE IRON	C87850, 304 SS **24" OR 16" HANDWHEEL**
32	COILED SPRING PIN	1	10mm x 45mm	302 SS	304 SS
33	CAPSCREW	4	3/4" x 1 3/4"	18-8	316 SS
34	PACKING	5	1/2" X 1/2" X 8 1/2"	BRAIDED FLAX	-

VALVES CONFORM WITH FOLLOWING STANDARDS

- AWWA C515
- NSF 61
- LOW ZINC BRASS STEM AND STEM NUT AVAILABLE
- 100% DOMESTIC FASTENER AND O-RING OPTIONS AVAILABLE
- OPEN LEFT (COUNTERCLOCKWISE) AND OPEN RIGHT (CLOCKWISE) OPTIONS AVAILABLE
- TURNS TO OPEN FROM FULLY CLOSED: 228
 - +/- 5% WITH STANDARD 3:1 BEVEL OR SPUR GEAR
- AWWA MAXIMUM ALLOWABLE CLOSING TORQUE 250 FT-LBS WITH STANDARD GEARING
- OPTIONAL HANDWHEEL CAN BE SUBSTITUTED FOR STANDARD 2" SQUARE OP NUTS
 - **NOTE: STANDARD HANDWHEEL SIZES CALLED OUT IN PARTS LIST**
- MAXIMUM PRESSURE RATING 250 PSI