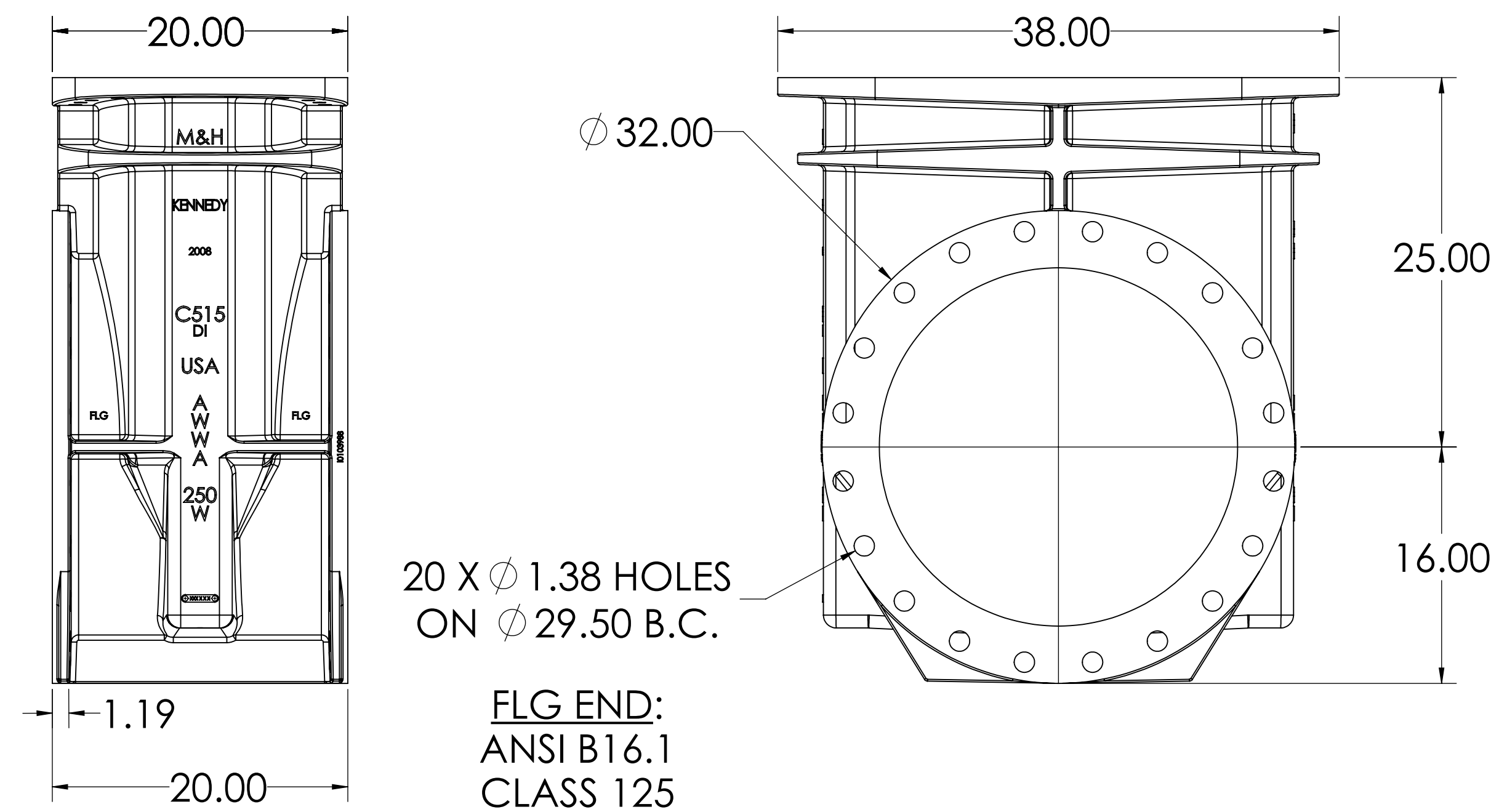


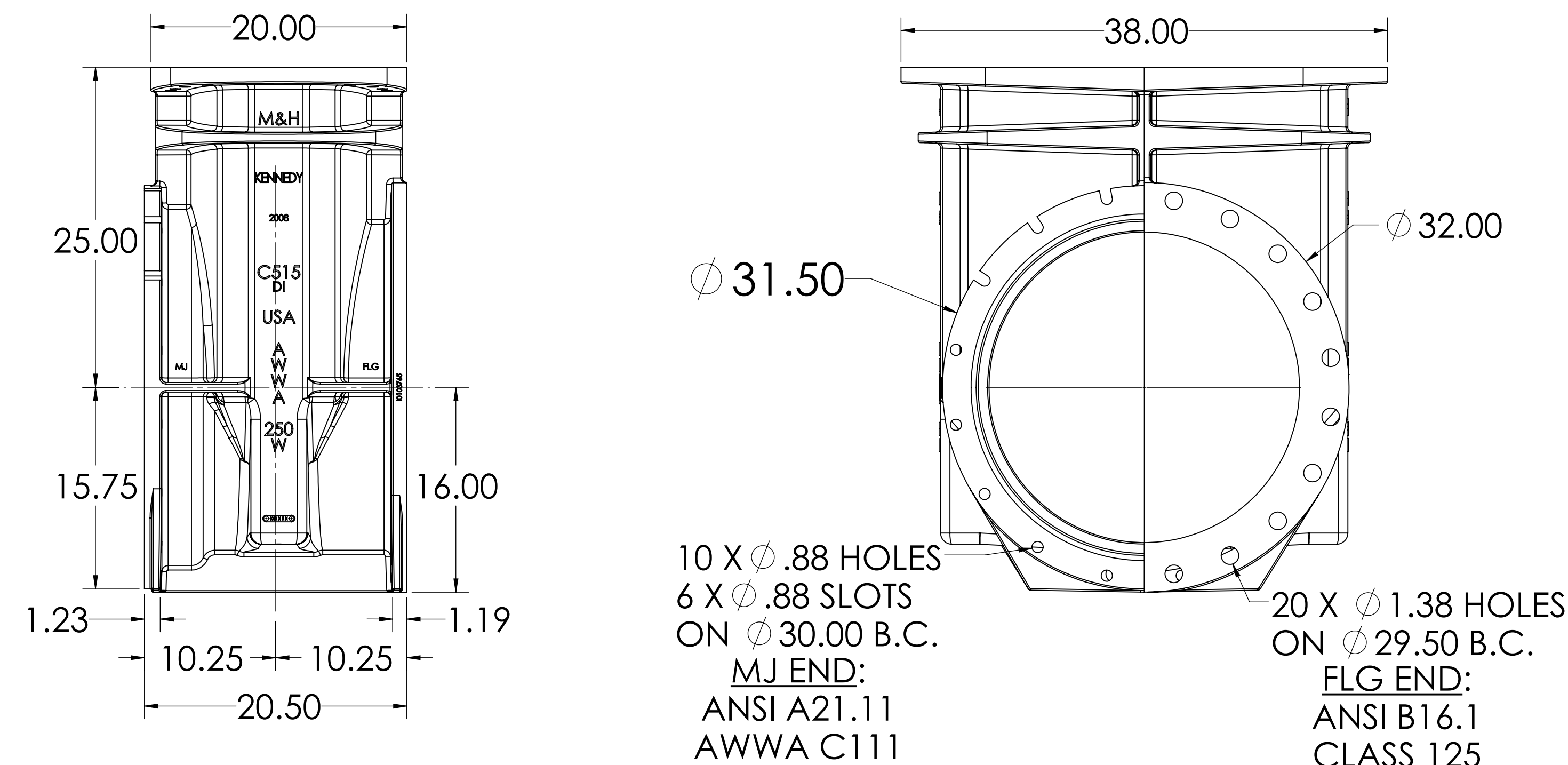
24" C515 FLG X FLG



20 X ϕ 1.38 HOLES
ON ϕ 29.50 B.C.

FLG END:
ANSI B16.1
CLASS 125

24" C515 MJ X FLG

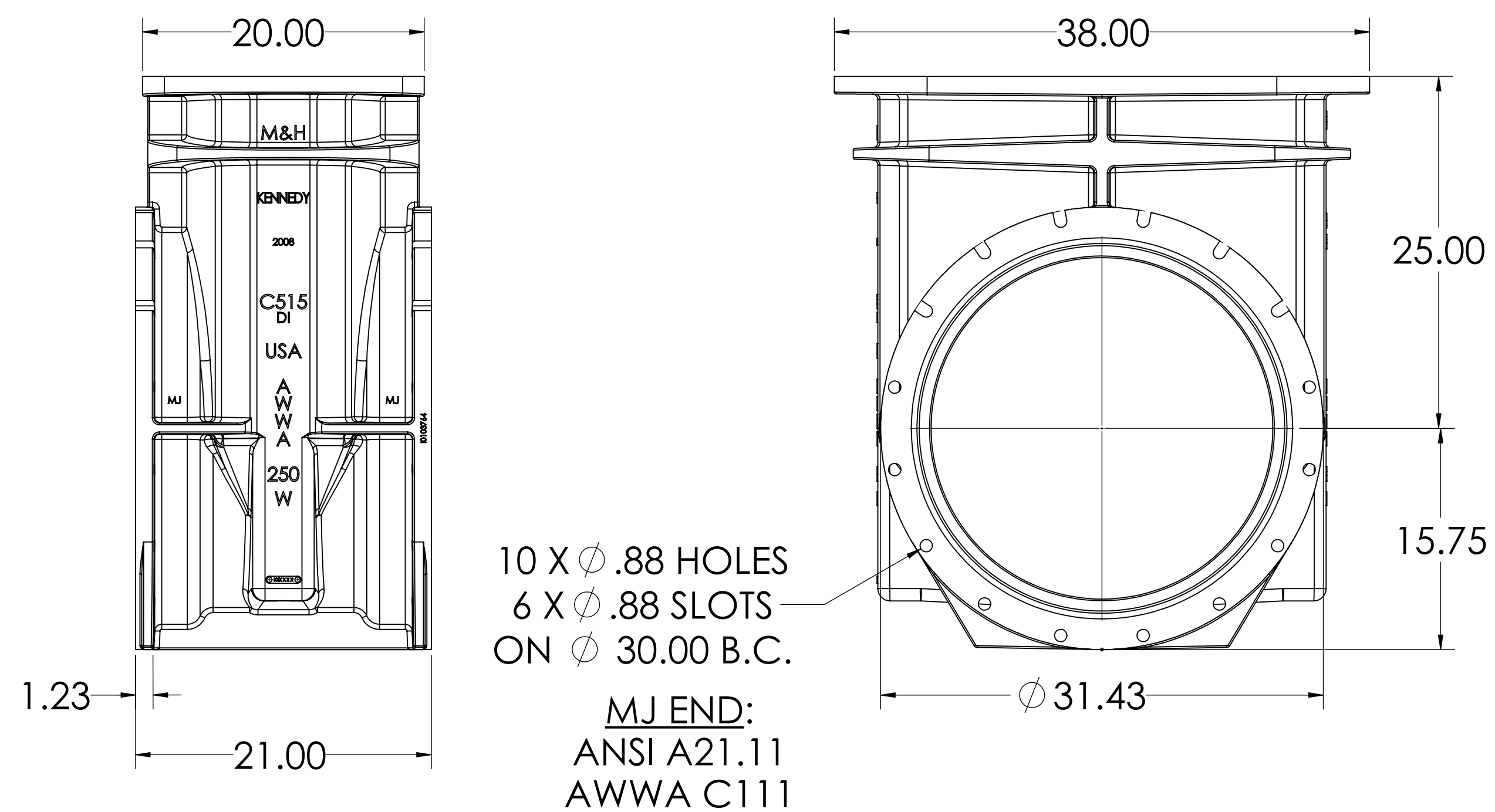


10 X ϕ .88 HOLES
6 X ϕ .88 SLOTS
ON ϕ 30.00 B.C.

MJ END:
ANSI A21.11
AWWA C111

FLG END:
ANSI B16.1
CLASS 125

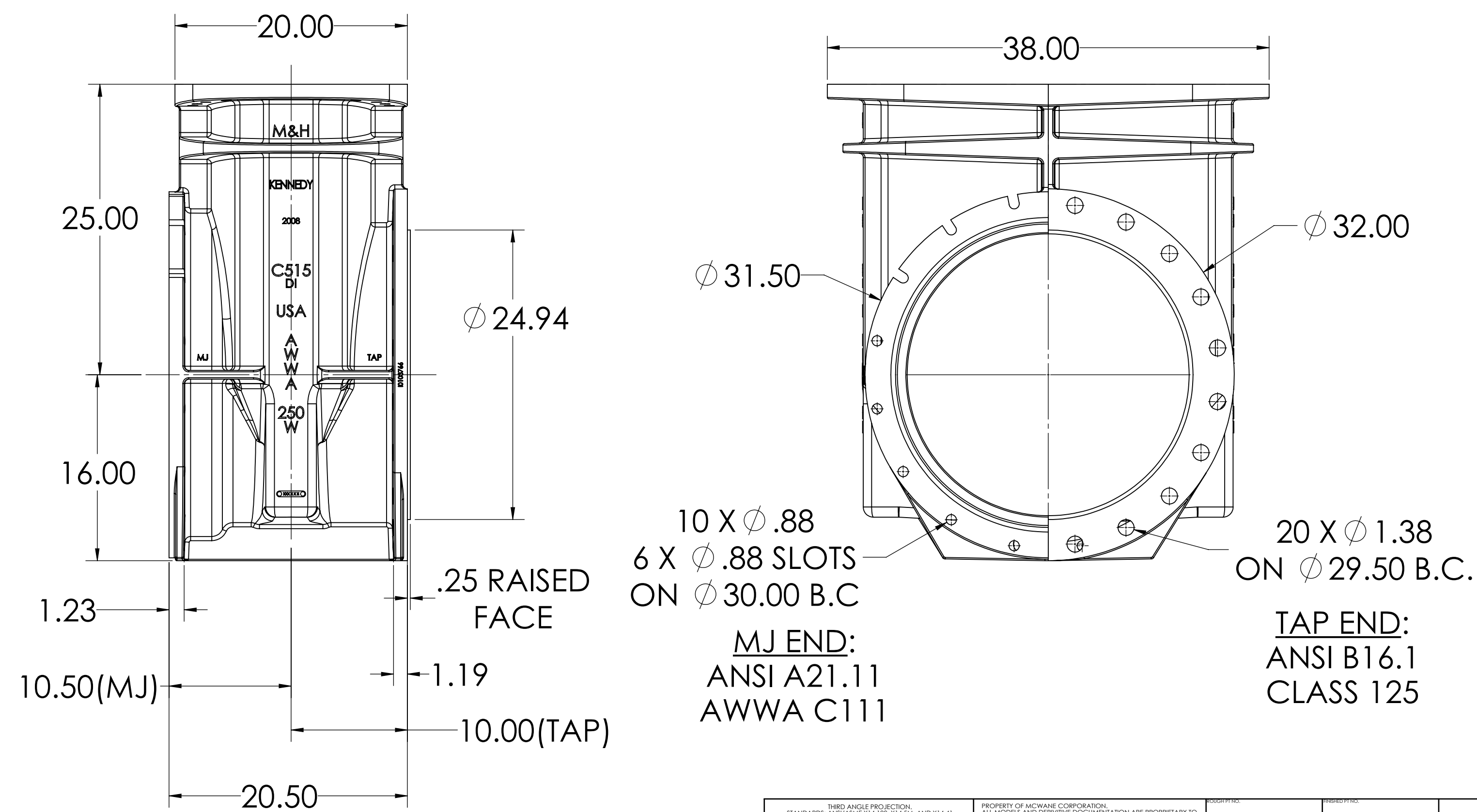
24" C515 MJ X MJ



10 X ϕ .88 HOLES
6 X ϕ .88 SLOTS
ON ϕ 30.00 B.C.

MJ END:
ANSI A21.11
AWWA C111

24" C515 MJ X TAP



10 X ϕ .88
6 X ϕ .88 SLOTS
ON ϕ 30.00 B.C.

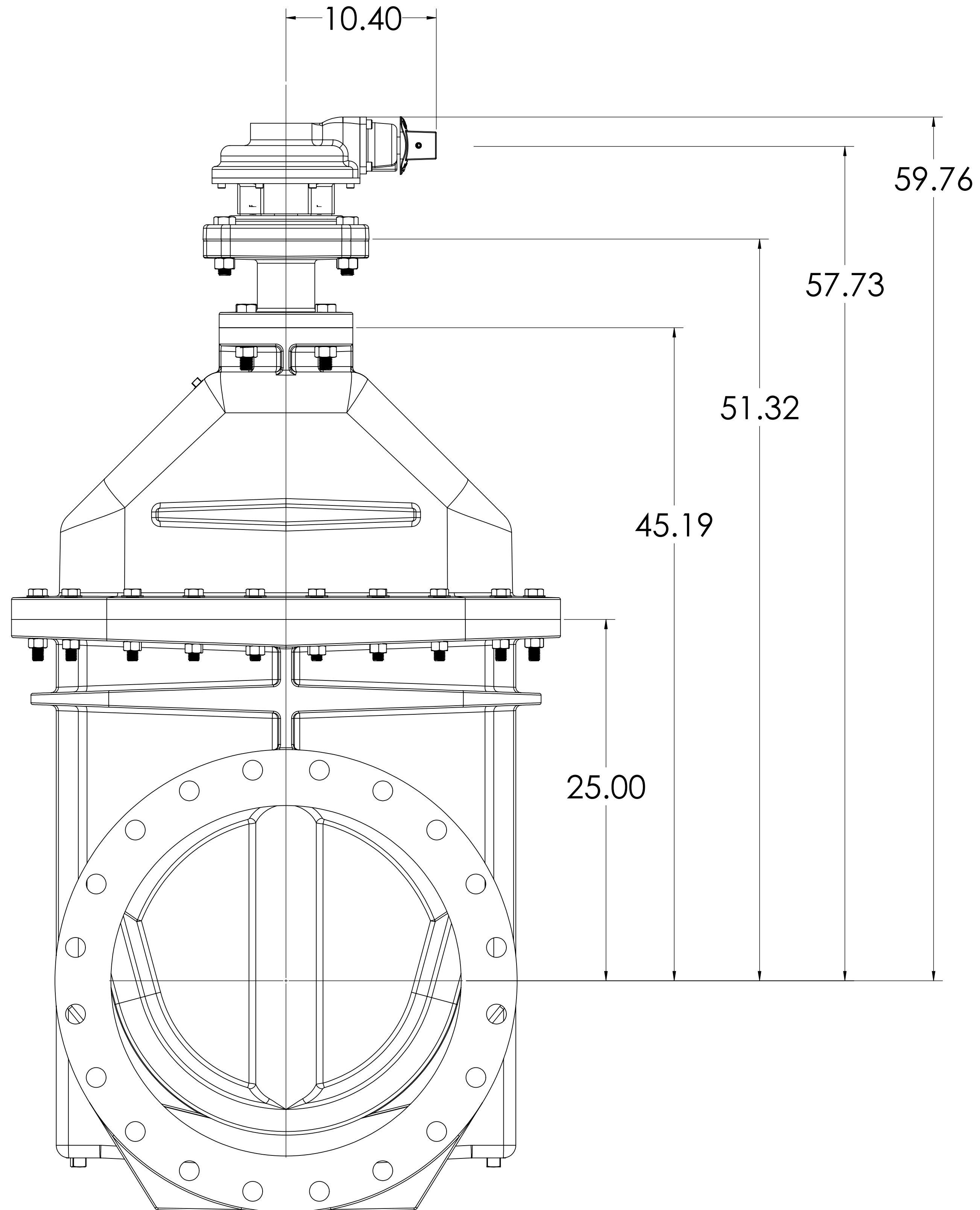
MJ END:
ANSI A21.11
AWWA C111

20 X ϕ 1.38
ON ϕ 29.50 B.C.

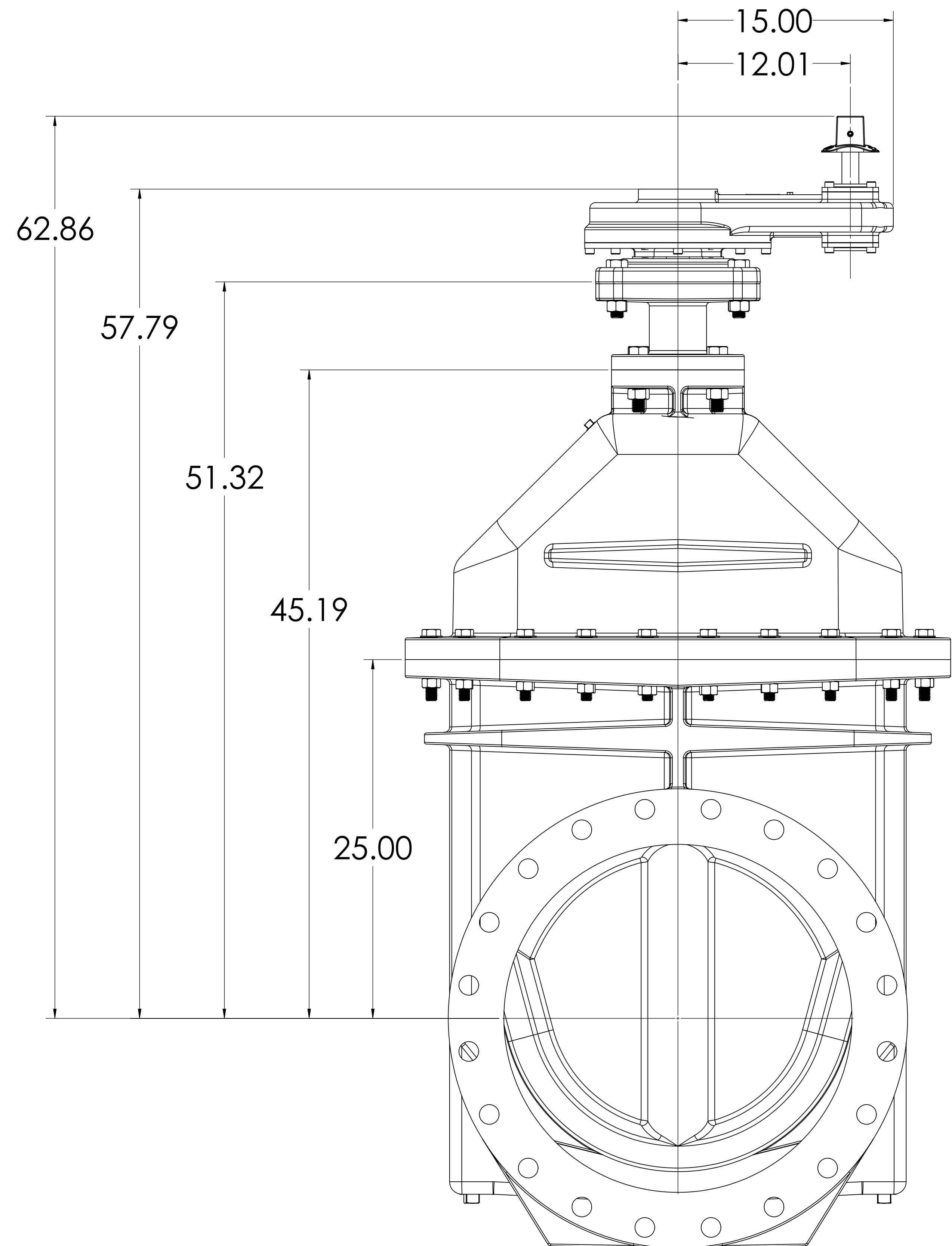
TAP END:
ANSI B16.1
CLASS 125

THIRD ANGLE PROJECTION STANDARDS AND DIMENSIONAL SYSTEMS SHALL BE IN ACCORDANCE WITH THE FIRST ANGLE DIMENSIONAL SYSTEM UNLESS OTHERWISE SPECIFIED.		PROPERTY OF MCWANE CORPORATION. ALL DIMENSIONS AND IDENTIFYING INFORMATION ARE PROPRIETARY TO MCWANE CORPORATION AND ITS SUBSIDIARIES. REPRODUCTION OR TRANSMISSION OF THIS DOCUMENT IS PROHIBITED WITHOUT THE WRITTEN PERMISSION OF MCWANE CORPORATION. ALL RIGHTS RESERVED.		DATE: 09/08/20	DESIGNER: DWI	CHECKED: []	SCALE: 1:8	SHEET OF 6	CLW VALVE CO.
CASTING TOLERANCES: 0.4": ± 0.02 0.8": ± 0.04 1.2": ± 0.06 1.6": ± 0.08 2.0": ± 0.10 MIN RADIUS: 1/8"		MATCHED DIMENSIONS: DECIMALS: ± 0.005 FRACTIONS: ± 1/64 ANGLE: ± 1/16° SURFACE FINISH: 125 μin RA: 1/8"		MATERIAL: []		ESTIMATED WEIGHT: [] LBS.		DESCRIPTION: 24" C515 NRS GEARED RESILIENT WEDGE GATE VALVE	
DATE: 09/08/20		DESIGNER: DWI		CHECKED: []		SCALE: 1:8		SHEET OF 6	

BEVEL GEAR WITH OP NUT

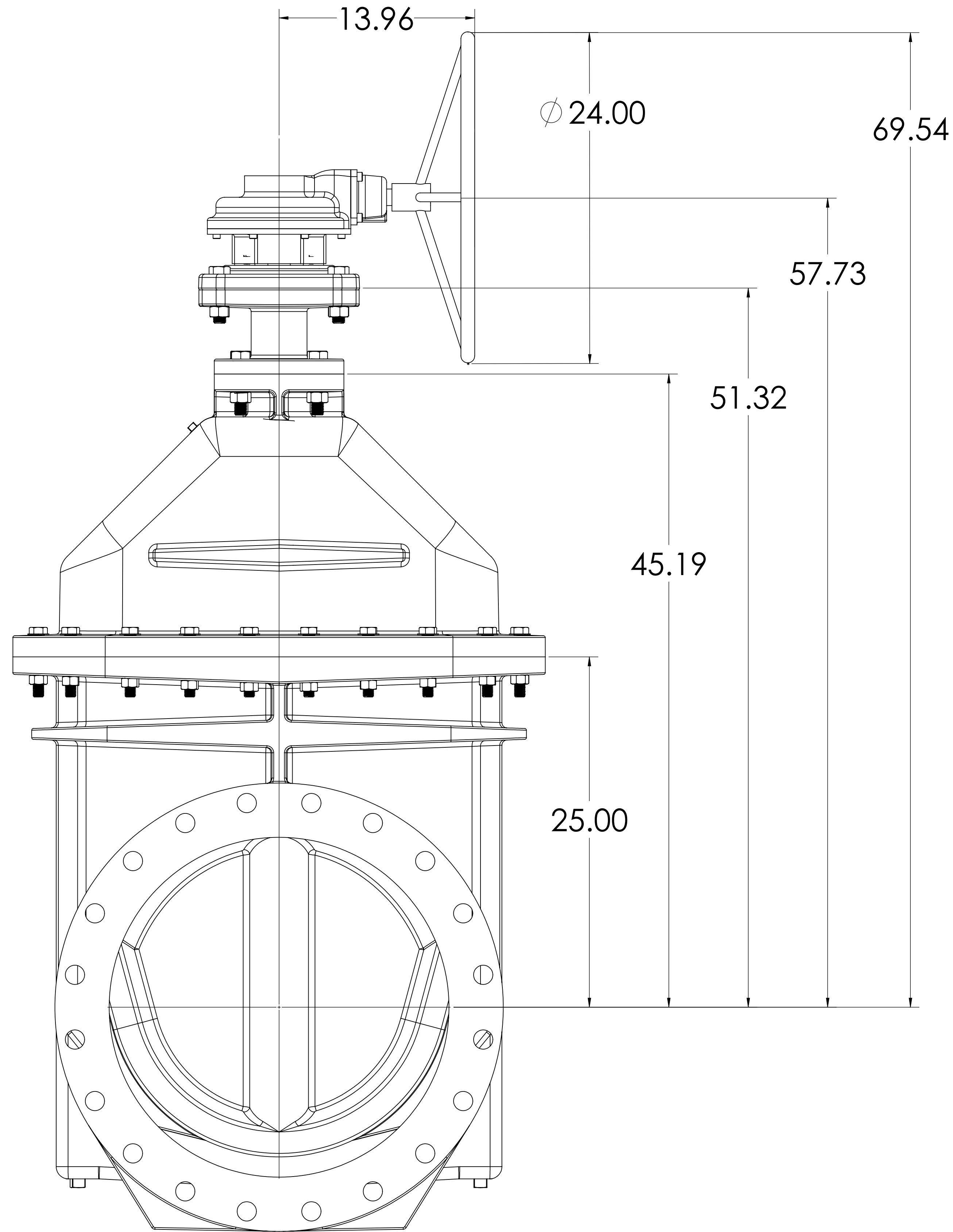


SPUR GEAR WITH OP NUT

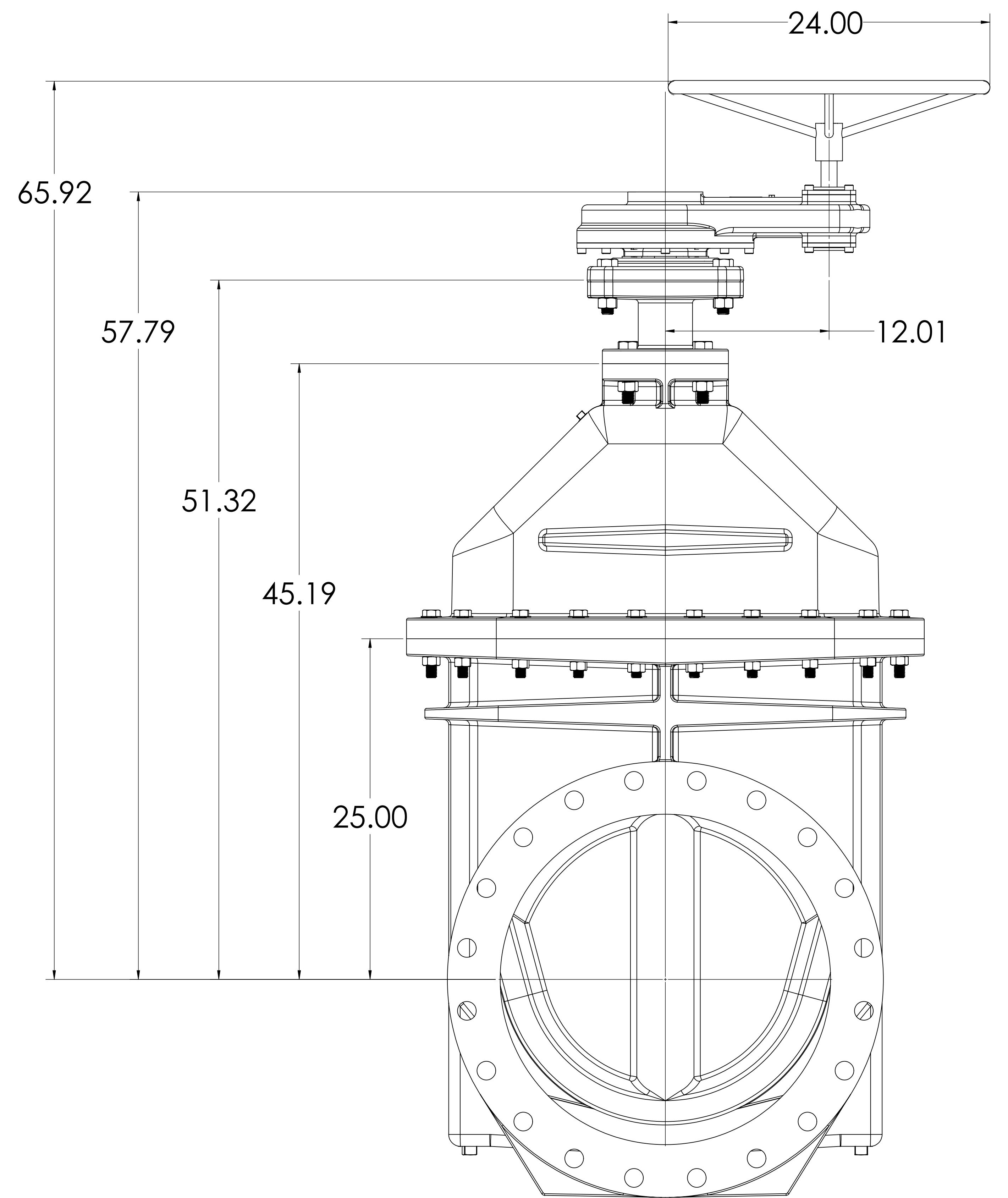


STANDARDS AND DIMENSIONS: 1:10, 1:14.4, AND 1:14.41 TOLERANCES AS FOLLOWS UNLESS OTHERWISE SPECIFIED.		PROPERTY OF MCWANE CORPORATION. ALL RIGHTS AND RESERVE. THIS INFORMATION IS PROPRIETARY TO MCWANE CORPORATION AND IS UNCLASSIFIED. DISSEMINATION IS PROHIBITED WITHOUT PERMISSION OF OTHERWISE ARRANGED. ALL RIGHTS RESERVED.		DATE: 09/08/20	DESIGNER: DWI	CHECKED: []	SCALE: 1:5	SHEET NO: 2	TOTAL SHEETS: 6	CLW VALVE CO.
CASTING TOLERANCES:		MACHINED DIMENSIONS:		MATERIAL:		ESTIMATED WEIGHT:		DESCRIPTION:		24" CS15 NRS GEARED RESILIENT WEDGE GATE VALVE
1/4": ± 0.015	1/2": ± 0.010	1/4": ± 0.005	1/2": ± 0.005	CASTING: C	WEIGHT: LBS.	DATE: 09/08/20	BY: DWI	DATE: 09/08/20	BY: DWI	
3/4": ± 0.010	3/4": ± 0.005	3/4": ± 0.005	3/4": ± 0.005	ESTIMATED WEIGHT: LBS.		DATE: 09/08/20		BY: DWI		
1": ± 0.008	1": ± 0.005	1": ± 0.005	1": ± 0.005	ESTIMATED WEIGHT: LBS.		DATE: 09/08/20		BY: DWI		
1 1/2": ± 0.005	1 1/2": ± 0.005	1 1/2": ± 0.005	1 1/2": ± 0.005	ESTIMATED WEIGHT: LBS.		DATE: 09/08/20		BY: DWI		
2": ± 0.005	2": ± 0.005	2": ± 0.005	2": ± 0.005	ESTIMATED WEIGHT: LBS.		DATE: 09/08/20		BY: DWI		
2 1/2": ± 0.005	2 1/2": ± 0.005	2 1/2": ± 0.005	2 1/2": ± 0.005	ESTIMATED WEIGHT: LBS.		DATE: 09/08/20		BY: DWI		
3": ± 0.005	3": ± 0.005	3": ± 0.005	3": ± 0.005	ESTIMATED WEIGHT: LBS.		DATE: 09/08/20		BY: DWI		
3 1/2": ± 0.005	3 1/2": ± 0.005	3 1/2": ± 0.005	3 1/2": ± 0.005	ESTIMATED WEIGHT: LBS.		DATE: 09/08/20		BY: DWI		
4": ± 0.005	4": ± 0.005	4": ± 0.005	4": ± 0.005	ESTIMATED WEIGHT: LBS.		DATE: 09/08/20		BY: DWI		
4 1/2": ± 0.005	4 1/2": ± 0.005	4 1/2": ± 0.005	4 1/2": ± 0.005	ESTIMATED WEIGHT: LBS.		DATE: 09/08/20		BY: DWI		
5": ± 0.005	5": ± 0.005	5": ± 0.005	5": ± 0.005	ESTIMATED WEIGHT: LBS.		DATE: 09/08/20		BY: DWI		
5 1/2": ± 0.005	5 1/2": ± 0.005	5 1/2": ± 0.005	5 1/2": ± 0.005	ESTIMATED WEIGHT: LBS.		DATE: 09/08/20		BY: DWI		
6": ± 0.005	6": ± 0.005	6": ± 0.005	6": ± 0.005	ESTIMATED WEIGHT: LBS.		DATE: 09/08/20		BY: DWI		
6 1/2": ± 0.005	6 1/2": ± 0.005	6 1/2": ± 0.005	6 1/2": ± 0.005	ESTIMATED WEIGHT: LBS.		DATE: 09/08/20		BY: DWI		
7": ± 0.005	7": ± 0.005	7": ± 0.005	7": ± 0.005	ESTIMATED WEIGHT: LBS.		DATE: 09/08/20		BY: DWI		
7 1/2": ± 0.005	7 1/2": ± 0.005	7 1/2": ± 0.005	7 1/2": ± 0.005	ESTIMATED WEIGHT: LBS.		DATE: 09/08/20		BY: DWI		
8": ± 0.005	8": ± 0.005	8": ± 0.005	8": ± 0.005	ESTIMATED WEIGHT: LBS.		DATE: 09/08/20		BY: DWI		
8 1/2": ± 0.005	8 1/2": ± 0.005	8 1/2": ± 0.005	8 1/2": ± 0.005	ESTIMATED WEIGHT: LBS.		DATE: 09/08/20		BY: DWI		
9": ± 0.005	9": ± 0.005	9": ± 0.005	9": ± 0.005	ESTIMATED WEIGHT: LBS.		DATE: 09/08/20		BY: DWI		
9 1/2": ± 0.005	9 1/2": ± 0.005	9 1/2": ± 0.005	9 1/2": ± 0.005	ESTIMATED WEIGHT: LBS.		DATE: 09/08/20		BY: DWI		
10": ± 0.005	10": ± 0.005	10": ± 0.005	10": ± 0.005	ESTIMATED WEIGHT: LBS.		DATE: 09/08/20		BY: DWI		
10 1/2": ± 0.005	10 1/2": ± 0.005	10 1/2": ± 0.005	10 1/2": ± 0.005	ESTIMATED WEIGHT: LBS.		DATE: 09/08/20		BY: DWI		
11": ± 0.005	11": ± 0.005	11": ± 0.005	11": ± 0.005	ESTIMATED WEIGHT: LBS.		DATE: 09/08/20		BY: DWI		
11 1/2": ± 0.005	11 1/2": ± 0.005	11 1/2": ± 0.005	11 1/2": ± 0.005	ESTIMATED WEIGHT: LBS.		DATE: 09/08/20		BY: DWI		
12": ± 0.005	12": ± 0.005	12": ± 0.005	12": ± 0.005	ESTIMATED WEIGHT: LBS.		DATE: 09/08/20		BY: DWI		
12 1/2": ± 0.005	12 1/2": ± 0.005	12 1/2": ± 0.005	12 1/2": ± 0.005	ESTIMATED WEIGHT: LBS.		DATE: 09/08/20		BY: DWI		
13": ± 0.005	13": ± 0.005	13": ± 0.005	13": ± 0.005	ESTIMATED WEIGHT: LBS.		DATE: 09/08/20		BY: DWI		
13 1/2": ± 0.005	13 1/2": ± 0.005	13 1/2": ± 0.005	13 1/2": ± 0.005	ESTIMATED WEIGHT: LBS.		DATE: 09/08/20		BY: DWI		
14": ± 0.005	14": ± 0.005	14": ± 0.005	14": ± 0.005	ESTIMATED WEIGHT: LBS.		DATE: 09/08/20		BY: DWI		
14 1/2": ± 0.005	14 1/2": ± 0.005	14 1/2": ± 0.005	14 1/2": ± 0.005	ESTIMATED WEIGHT: LBS.		DATE: 09/08/20		BY: DWI		
15": ± 0.005	15": ± 0.005	15": ± 0.005	15": ± 0.005	ESTIMATED WEIGHT: LBS.		DATE: 09/08/20		BY: DWI		
15 1/2": ± 0.005	15 1/2": ± 0.005	15 1/2": ± 0.005	15 1/2": ± 0.005	ESTIMATED WEIGHT: LBS.		DATE: 09/08/20		BY: DWI		
16": ± 0.005	16": ± 0.005	16": ± 0.005	16": ± 0.005	ESTIMATED WEIGHT: LBS.		DATE: 09/08/20		BY: DWI		
16 1/2": ± 0.005	16 1/2": ± 0.005	16 1/2": ± 0.005	16 1/2": ± 0.005	ESTIMATED WEIGHT: LBS.		DATE: 09/08/20		BY: DWI		
17": ± 0.005	17": ± 0.005	17": ± 0.005	17": ± 0.005	ESTIMATED WEIGHT: LBS.		DATE: 09/08/20		BY: DWI		
17 1/2": ± 0.005	17 1/2": ± 0.005	17 1/2": ± 0.005	17 1/2": ± 0.005	ESTIMATED WEIGHT: LBS.		DATE: 09/08/20		BY: DWI		
18": ± 0.005	18": ± 0.005	18": ± 0.005	18": ± 0.005	ESTIMATED WEIGHT: LBS.		DATE: 09/08/20		BY: DWI		
18 1/2": ± 0.005	18 1/2": ± 0.005	18 1/2": ± 0.005	18 1/2": ± 0.005	ESTIMATED WEIGHT: LBS.		DATE: 09/08/20		BY: DWI		
19": ± 0.005	19": ± 0.005	19": ± 0.005	19": ± 0.005	ESTIMATED WEIGHT: LBS.		DATE: 09/08/20		BY: DWI		
19 1/2": ± 0.005	19 1/2": ± 0.005	19 1/2": ± 0.005	19 1/2": ± 0.005	ESTIMATED WEIGHT: LBS.		DATE: 09/08/20		BY: DWI		
20": ± 0.005	20": ± 0.005	20": ± 0.005	20": ± 0.005	ESTIMATED WEIGHT: LBS.		DATE: 09/08/20		BY: DWI		
20 1/2": ± 0.005	20 1/2": ± 0.005	20 1/2": ± 0.005	20 1/2": ± 0.005	ESTIMATED WEIGHT: LBS.		DATE: 09/08/20		BY: DWI		
21": ± 0.005	21": ± 0.005	21": ± 0.005	21": ± 0.005	ESTIMATED WEIGHT: LBS.		DATE: 09/08/20		BY: DWI		

BEVEL GEAR WITH HANDWHEEL

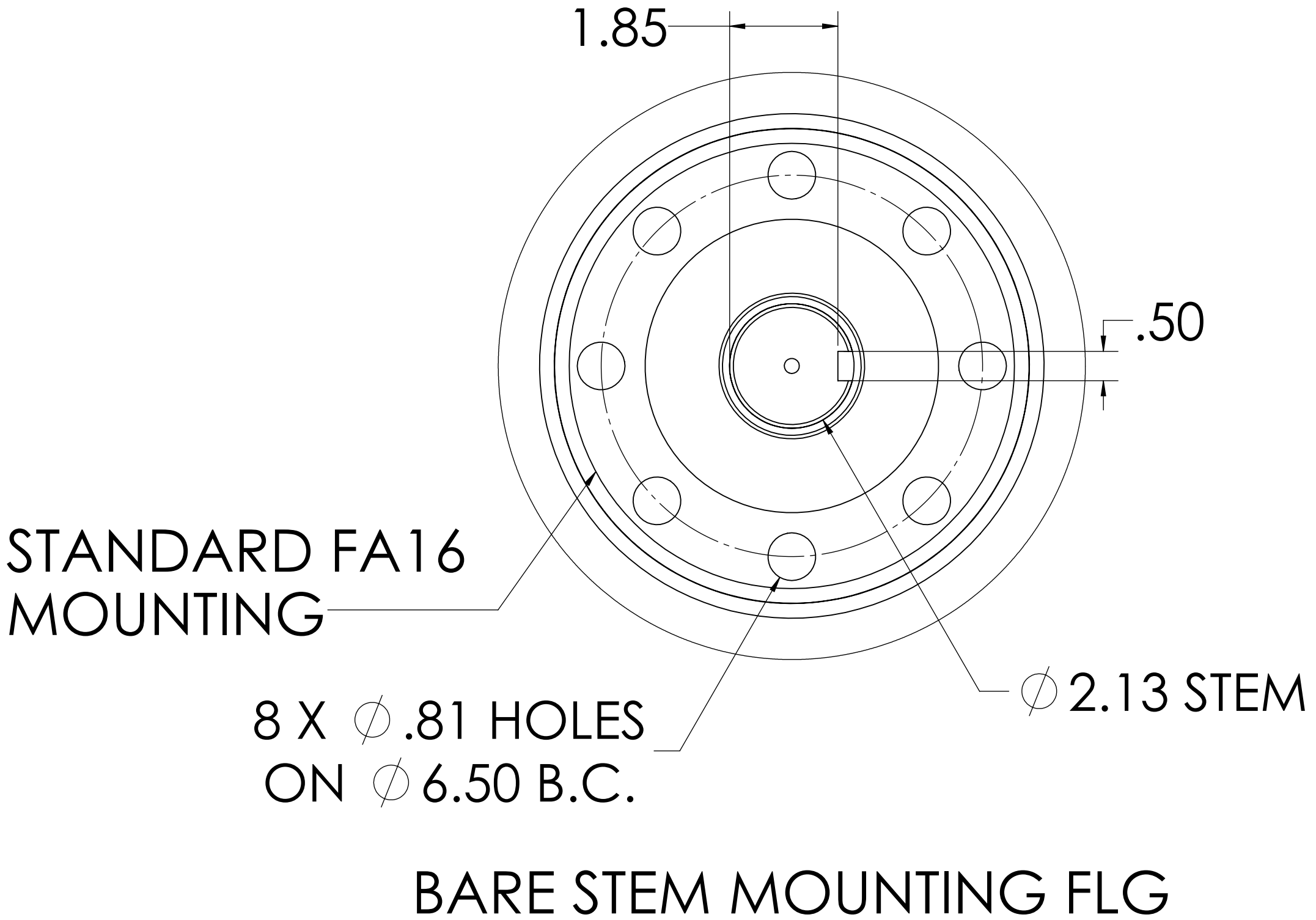
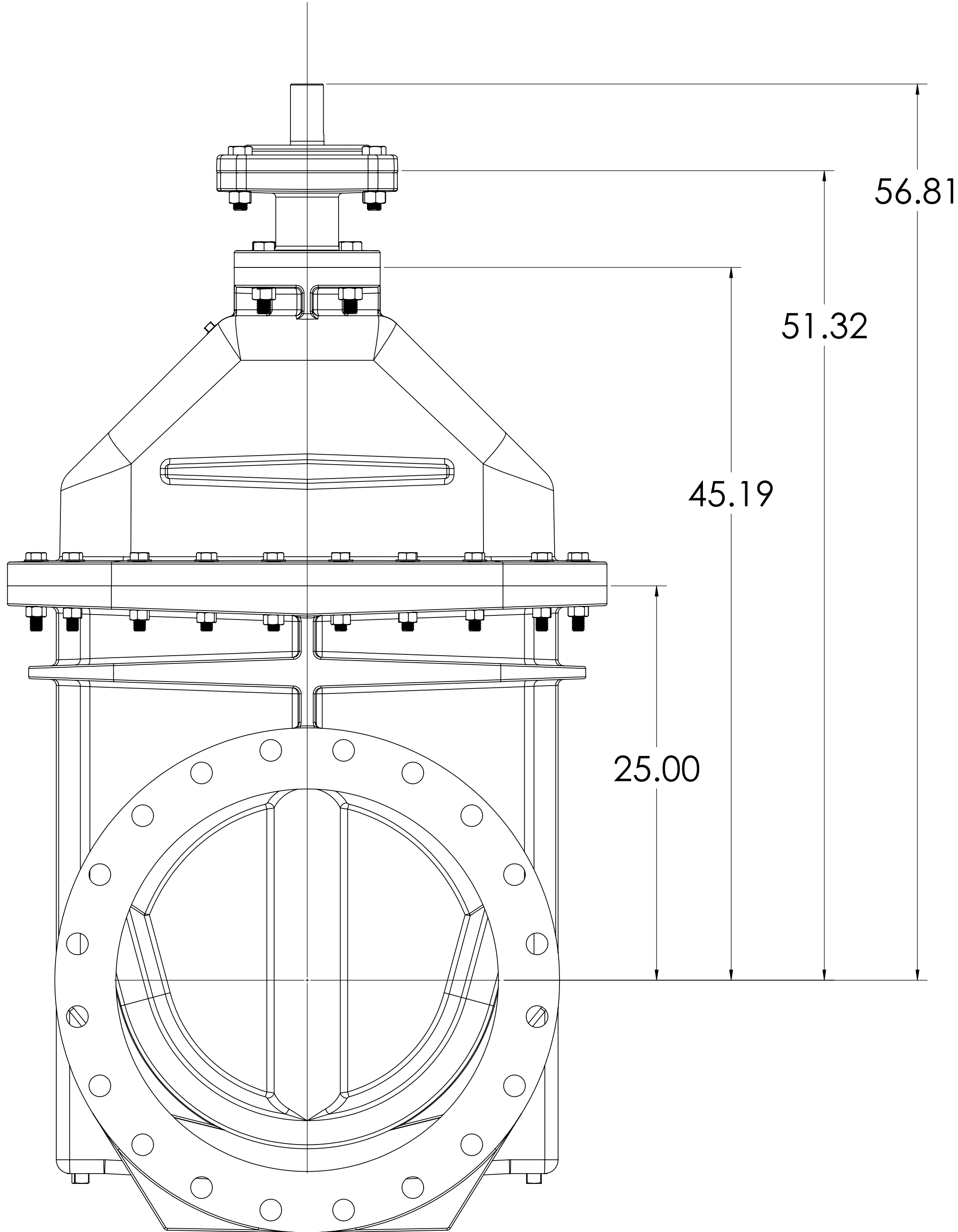


SPUR GEAR WITH HANDWHEEL

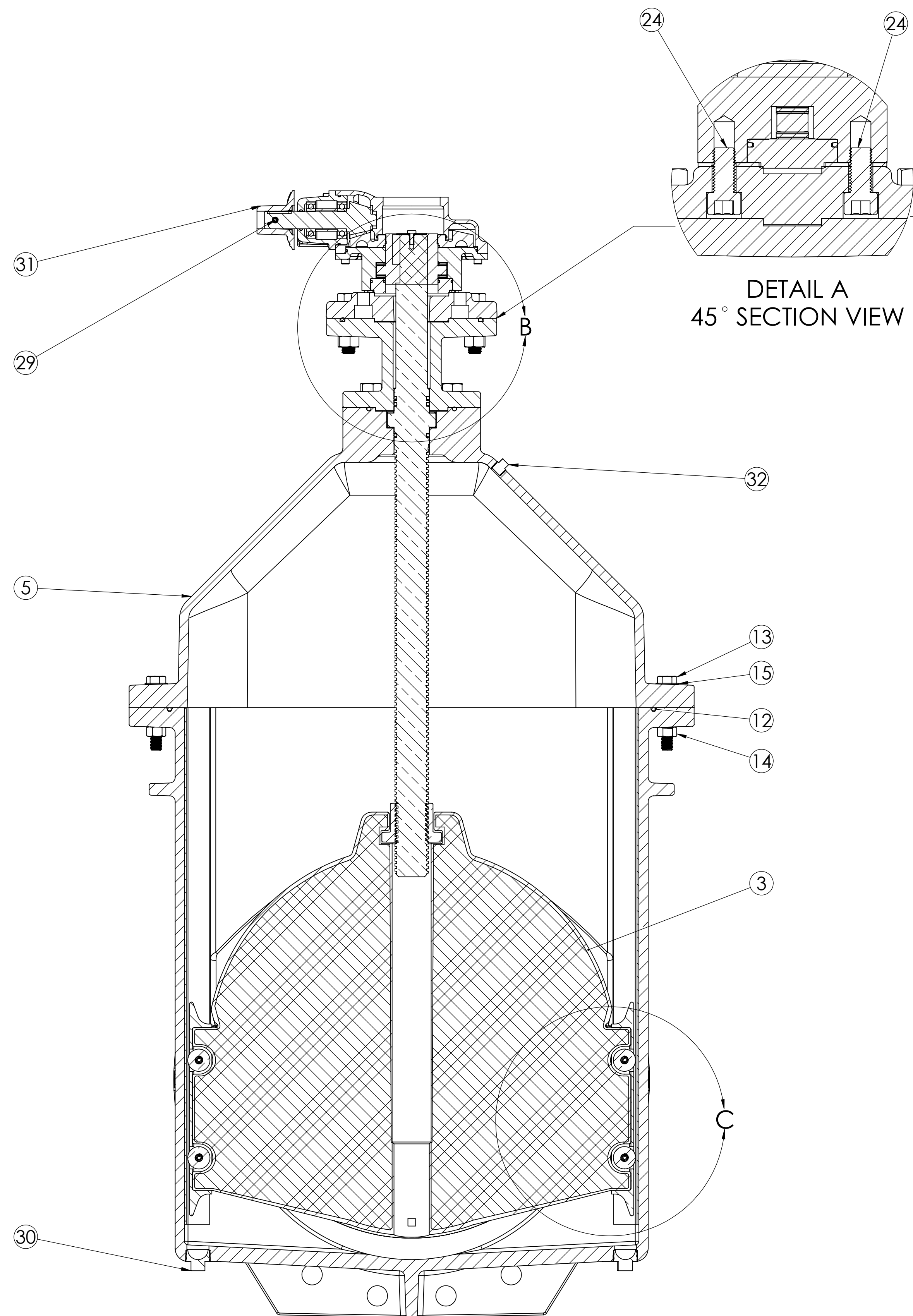


STANDARDS: ANSI/ASME B16.10, B16.41, AND B16.47 TOLERANCES: AS FOLLOWS UNLESS OTHERWISE SPECIFIED.		PROPERTY OF MCWANE CORPORATION. ALL DIMENSIONS AND IDENTIFICATION ARE PROPRIETARY TO MCWANE CORPORATION AND ITS SUBSIDIARIES. REPRODUCTION IS PROHIBITED WITHOUT THE WRITTEN CONSENT OF MCWANE CORPORATION. ALL RIGHTS RESERVED.		DATE: 09/08/20	DESIGNER: DWI	CHECKED: []	DESCRIPTION: 24" CS15 NRS GEARED RESILIENT WEDGE GATE VALVE	SCALE: 1:5	SHEET NO: 3	TOTAL SHEETS: 6	CLW VALVE CO.
CASTING TOLERANCES:		MACHINED DIMENSIONS:		ESTIMATED WEIGHT: LBS.		MATERIAL: CS15 NRS		DATE: 09/08/20		SHEET NO: 3	
6-4": ± 0.005	6-8": ± 0.005	6-12": ± 0.005	6-18": ± 0.005	6-24": ± 0.005	6-30": ± 0.005	6-36": ± 0.005	6-42": ± 0.005	6-48": ± 0.005	6-54": ± 0.005	6-60": ± 0.005	6-66": ± 0.005
6-72": ± 0.005	6-78": ± 0.005	6-84": ± 0.005	6-90": ± 0.005	6-96": ± 0.005	6-102": ± 0.005	6-108": ± 0.005	6-114": ± 0.005	6-120": ± 0.005	6-126": ± 0.005	6-132": ± 0.005	6-138": ± 0.005
6-144": ± 0.005	6-150": ± 0.005	6-156": ± 0.005	6-162": ± 0.005	6-168": ± 0.005	6-174": ± 0.005	6-180": ± 0.005	6-186": ± 0.005	6-192": ± 0.005	6-198": ± 0.005	6-204": ± 0.005	6-210": ± 0.005
6-216": ± 0.005	6-222": ± 0.005	6-228": ± 0.005	6-234": ± 0.005	6-240": ± 0.005	6-246": ± 0.005	6-252": ± 0.005	6-258": ± 0.005	6-264": ± 0.005	6-270": ± 0.005	6-276": ± 0.005	6-282": ± 0.005
6-288": ± 0.005	6-294": ± 0.005	6-300": ± 0.005	6-306": ± 0.005	6-312": ± 0.005	6-318": ± 0.005	6-324": ± 0.005	6-330": ± 0.005	6-336": ± 0.005	6-342": ± 0.005	6-348": ± 0.005	6-354": ± 0.005
6-360": ± 0.005	6-366": ± 0.005	6-372": ± 0.005	6-378": ± 0.005	6-384": ± 0.005	6-390": ± 0.005	6-396": ± 0.005	6-402": ± 0.005	6-408": ± 0.005	6-414": ± 0.005	6-420": ± 0.005	6-426": ± 0.005
6-432": ± 0.005	6-438": ± 0.005	6-444": ± 0.005	6-450": ± 0.005	6-456": ± 0.005	6-462": ± 0.005	6-468": ± 0.005	6-474": ± 0.005	6-480": ± 0.005	6-486": ± 0.005	6-492": ± 0.005	6-498": ± 0.005
6-504": ± 0.005	6-510": ± 0.005	6-516": ± 0.005	6-522": ± 0.005	6-528": ± 0.005	6-534": ± 0.005	6-540": ± 0.005	6-546": ± 0.005	6-552": ± 0.005	6-558": ± 0.005	6-564": ± 0.005	6-570": ± 0.005
6-576": ± 0.005	6-582": ± 0.005	6-588": ± 0.005	6-594": ± 0.005	6-600": ± 0.005	6-606": ± 0.005	6-612": ± 0.005	6-618": ± 0.005	6-624": ± 0.005	6-630": ± 0.005	6-636": ± 0.005	6-642": ± 0.005
6-648": ± 0.005	6-654": ± 0.005	6-660": ± 0.005	6-666": ± 0.005	6-672": ± 0.005	6-678": ± 0.005	6-684": ± 0.005	6-690": ± 0.005	6-696": ± 0.005	6-702": ± 0.005	6-708": ± 0.005	6-714": ± 0.005
6-720": ± 0.005	6-726": ± 0.005	6-732": ± 0.005	6-738": ± 0.005	6-744": ± 0.005	6-750": ± 0.005	6-756": ± 0.005	6-762": ± 0.005	6-768": ± 0.005	6-774": ± 0.005	6-780": ± 0.005	6-786": ± 0.005
6-792": ± 0.005	6-798": ± 0.005	6-804": ± 0.005	6-810": ± 0.005	6-816": ± 0.005	6-822": ± 0.005	6-828": ± 0.005	6-834": ± 0.005	6-840": ± 0.005	6-846": ± 0.005	6-852": ± 0.005	6-858": ± 0.005
6-864": ± 0.005	6-870": ± 0.005	6-876": ± 0.005	6-882": ± 0.005	6-888": ± 0.005	6-894": ± 0.005	6-900": ± 0.005	6-906": ± 0.005	6-912": ± 0.005	6-918": ± 0.005	6-924": ± 0.005	6-930": ± 0.005
6-936": ± 0.005	6-942": ± 0.005	6-948": ± 0.005	6-954": ± 0.005	6-960": ± 0.005	6-966": ± 0.005	6-972": ± 0.005	6-978": ± 0.005	6-984": ± 0.005	6-990": ± 0.005	6-996": ± 0.005	7-002": ± 0.005

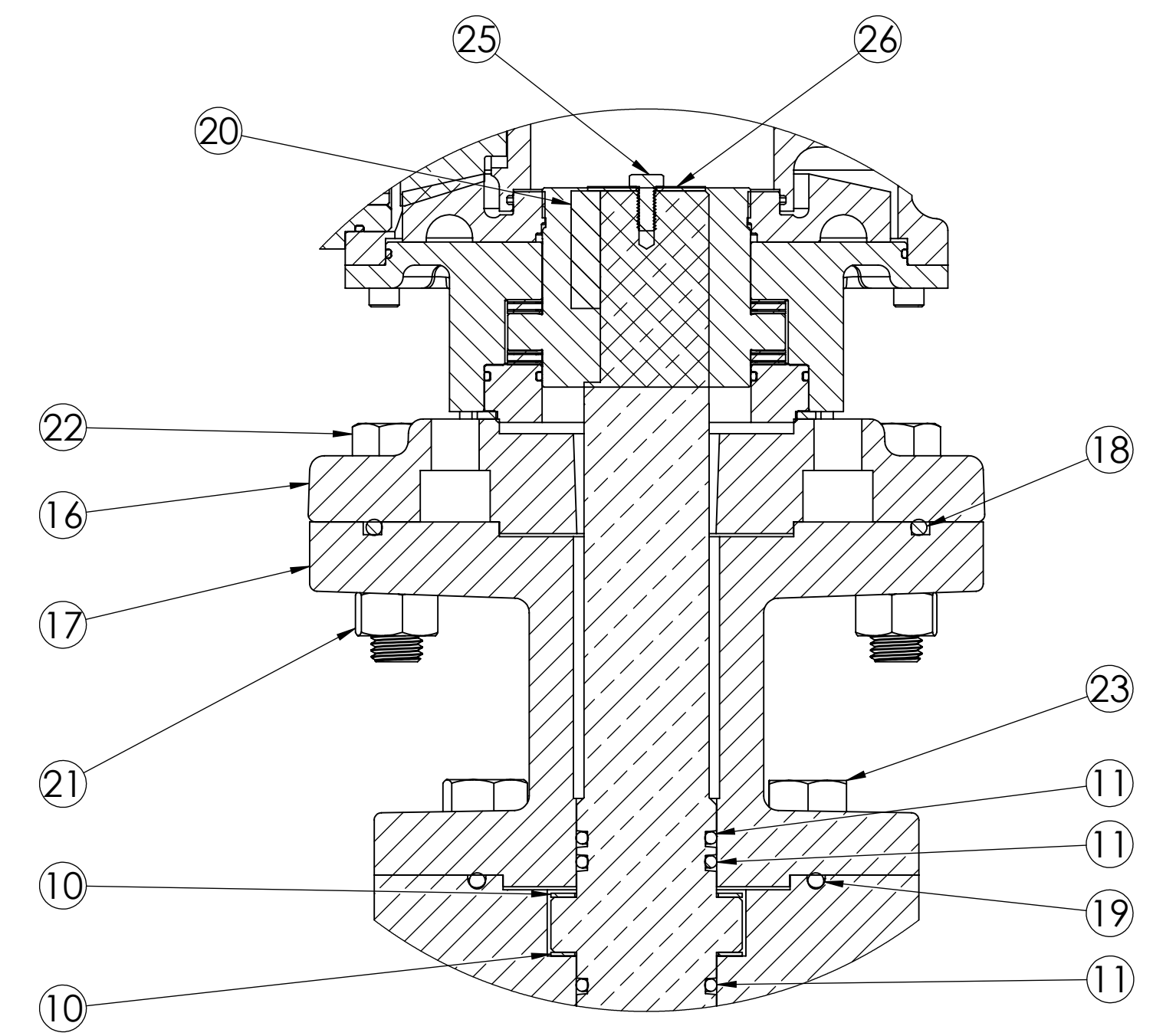
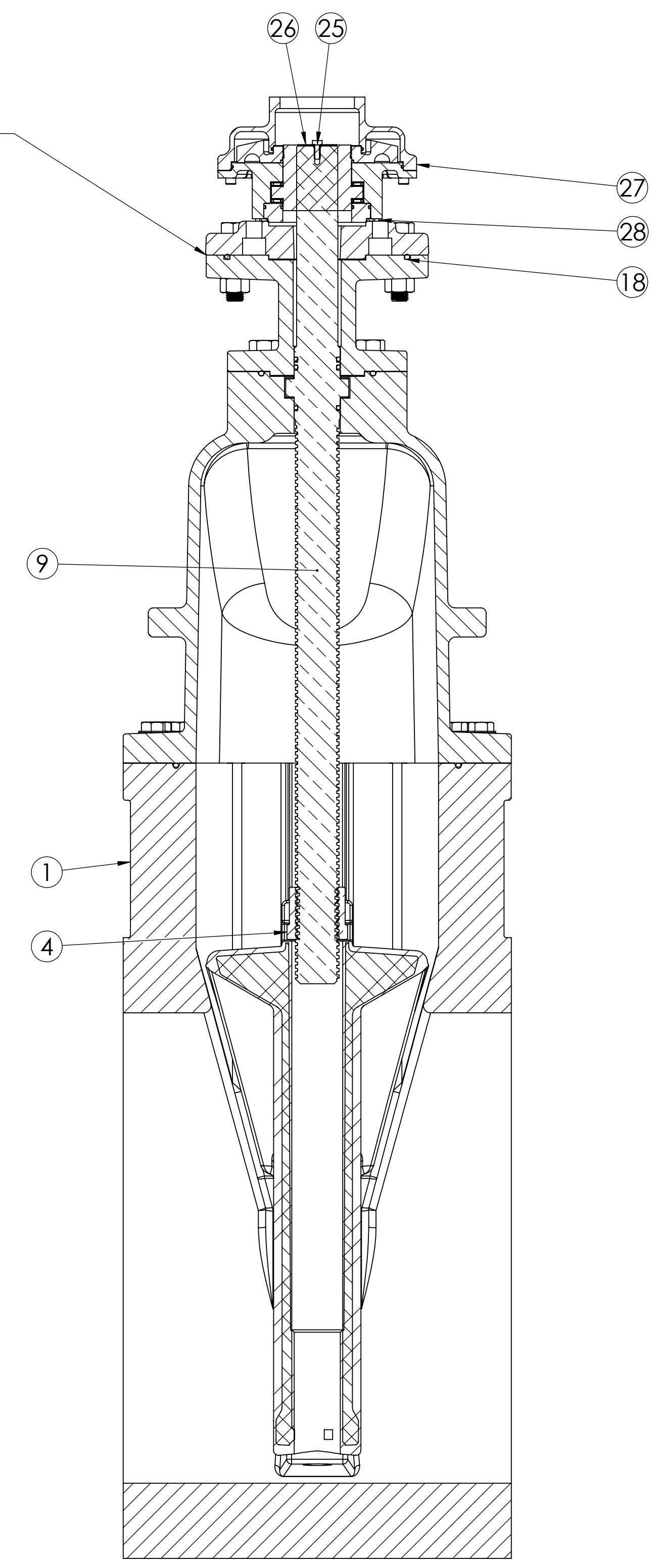
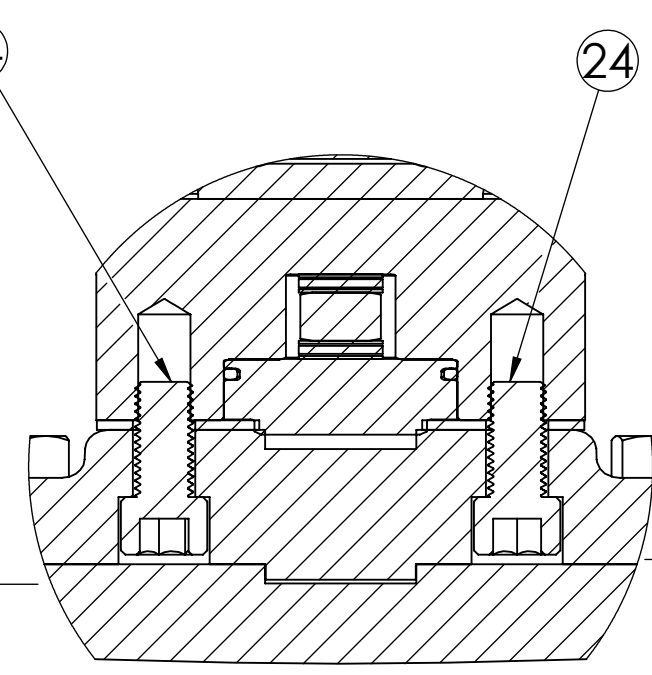
BARE STEM



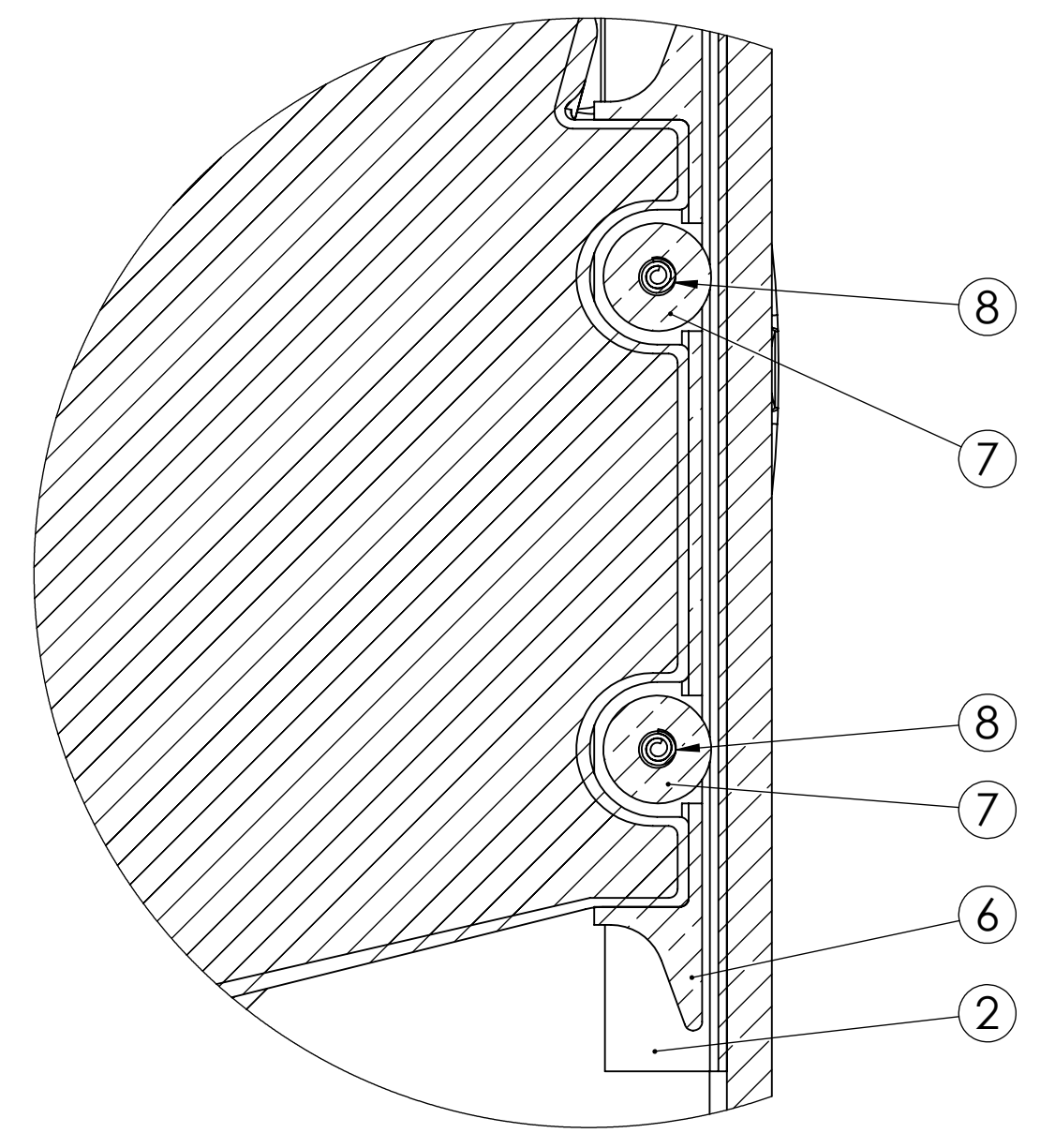
STANDARDS: ANSI/ASME B16.10, B16.41 AND B16.44 TOLERANCES AS FOLLOWS UNLESS OTHERWISE SPECIFIED.		PROPERTY OF MCWANE CORPORATION. ALL DIMENSIONS AND IDENTIFICATION ARE PROPRIETARY TO MCWANE CORPORATION AND ITS SUBSIDIARIES. REPRODUCTION OR USE WITHOUT PERMISSION OF MCWANE CORPORATION IS PROHIBITED. ALL RIGHTS RESERVED.		DATE: 09/08/20	DRAWN BY: DWI	CHECKED BY: []	SCALE: 1:5	DESCRIPTION: 24" CS15 NRS GEARED RESILIENT WEDGE GATE VALVE	MATERIAL: C	ESTIMATED WEIGHT: LBS.	SHEET NO: 4	TOTAL SHEETS: 6	CLW VALVE CO.
CASTING TOLERANCES:		MACHINED DIMENSIONS:		MATERIAL:		ESTIMATED WEIGHT:		DESCRIPTION:		SHEET NO:		CLW VALVE CO.	
0.4": ± 0.010	0.5": ± 0.005	0.125": ± 0.005	0.250": ± 0.005	24" CS15 NRS GEARED RESILIENT WEDGE GATE VALVE		LBS.		24" CS15 NRS GEARED RESILIENT WEDGE GATE VALVE		4		CLW VALVE CO.	
0.625": ± 0.005	0.750": ± 0.005	0.375": ± 0.005	0.500": ± 0.005	DATE: 09/08/20		ESTIMATED WEIGHT:		DESCRIPTION:		SHEET NO:		CLW VALVE CO.	
0.875": ± 0.005	1.000": ± 0.005	0.500": ± 0.005	0.750": ± 0.005	DRAWN BY: DWI		LBS.		24" CS15 NRS GEARED RESILIENT WEDGE GATE VALVE		4		CLW VALVE CO.	
1.125": ± 0.005	1.250": ± 0.005	0.750": ± 0.005	1.000": ± 0.005	DATE: 09/08/20		ESTIMATED WEIGHT:		DESCRIPTION:		SHEET NO:		CLW VALVE CO.	
1.500": ± 0.005	1.750": ± 0.005	1.000": ± 0.005	1.250": ± 0.005	DRAWN BY: DWI		LBS.		24" CS15 NRS GEARED RESILIENT WEDGE GATE VALVE		4		CLW VALVE CO.	
2.000": ± 0.005	2.250": ± 0.005	1.250": ± 0.005	1.500": ± 0.005	DATE: 09/08/20		ESTIMATED WEIGHT:		DESCRIPTION:		SHEET NO:		CLW VALVE CO.	
2.500": ± 0.005	2.750": ± 0.005	1.500": ± 0.005	1.750": ± 0.005	DRAWN BY: DWI		LBS.		24" CS15 NRS GEARED RESILIENT WEDGE GATE VALVE		4		CLW VALVE CO.	
3.000": ± 0.005	3.250": ± 0.005	1.750": ± 0.005	2.000": ± 0.005	DATE: 09/08/20		ESTIMATED WEIGHT:		DESCRIPTION:		SHEET NO:		CLW VALVE CO.	
3.500": ± 0.005	3.750": ± 0.005	2.000": ± 0.005	2.250": ± 0.005	DRAWN BY: DWI		LBS.		24" CS15 NRS GEARED RESILIENT WEDGE GATE VALVE		4		CLW VALVE CO.	
4.000": ± 0.005	4.250": ± 0.005	2.250": ± 0.005	2.500": ± 0.005	DATE: 09/08/20		ESTIMATED WEIGHT:		DESCRIPTION:		SHEET NO:		CLW VALVE CO.	
4.500": ± 0.005	4.750": ± 0.005	2.500": ± 0.005	2.750": ± 0.005	DRAWN BY: DWI		LBS.		24" CS15 NRS GEARED RESILIENT WEDGE GATE VALVE		4		CLW VALVE CO.	
5.000": ± 0.005	5.250": ± 0.005	2.750": ± 0.005	3.000": ± 0.005	DATE: 09/08/20		ESTIMATED WEIGHT:		DESCRIPTION:		SHEET NO:		CLW VALVE CO.	
5.500": ± 0.005	5.750": ± 0.005	3.000": ± 0.005	3.250": ± 0.005	DRAWN BY: DWI		LBS.		24" CS15 NRS GEARED RESILIENT WEDGE GATE VALVE		4		CLW VALVE CO.	
6.000": ± 0.005	6.250": ± 0.005	3.250": ± 0.005	3.500": ± 0.005	DATE: 09/08/20		ESTIMATED WEIGHT:		DESCRIPTION:		SHEET NO:		CLW VALVE CO.	
6.500": ± 0.005	6.750": ± 0.005	3.500": ± 0.005	3.750": ± 0.005	DRAWN BY: DWI		LBS.		24" CS15 NRS GEARED RESILIENT WEDGE GATE VALVE		4		CLW VALVE CO.	
7.000": ± 0.005	7.250": ± 0.005	3.750": ± 0.005	4.000": ± 0.005	DATE: 09/08/20		ESTIMATED WEIGHT:		DESCRIPTION:		SHEET NO:		CLW VALVE CO.	
7.500": ± 0.005	7.750": ± 0.005	4.000": ± 0.005	4.250": ± 0.005	DRAWN BY: DWI		LBS.		24" CS15 NRS GEARED RESILIENT WEDGE GATE VALVE		4		CLW VALVE CO.	
8.000": ± 0.005	8.250": ± 0.005	4.250": ± 0.005	4.500": ± 0.005	DATE: 09/08/20		ESTIMATED WEIGHT:		DESCRIPTION:		SHEET NO:		CLW VALVE CO.	
8.500": ± 0.005	8.750": ± 0.005	4.500": ± 0.005	4.750": ± 0.005	DRAWN BY: DWI		LBS.		24" CS15 NRS GEARED RESILIENT WEDGE GATE VALVE		4		CLW VALVE CO.	
9.000": ± 0.005	9.250": ± 0.005	4.750": ± 0.005	5.000": ± 0.005	DATE: 09/08/20		ESTIMATED WEIGHT:		DESCRIPTION:		SHEET NO:		CLW VALVE CO.	
9.500": ± 0.005	9.750": ± 0.005	5.000": ± 0.005	5.250": ± 0.005	DRAWN BY: DWI		LBS.		24" CS15 NRS GEARED RESILIENT WEDGE GATE VALVE		4		CLW VALVE CO.	
10.000": ± 0.005	10.250": ± 0.005	5.250": ± 0.005	5.500": ± 0.005	DATE: 09/08/20		ESTIMATED WEIGHT:		DESCRIPTION:		SHEET NO:		CLW VALVE CO.	
10.500": ± 0.005	10.750": ± 0.005	5.500": ± 0.005	5.750": ± 0.005	DRAWN BY: DWI		LBS.		24" CS15 NRS GEARED RESILIENT WEDGE GATE VALVE		4		CLW VALVE CO.	
11.000": ± 0.005	11.250": ± 0.005	5.750": ± 0.005	6.000": ± 0.005	DATE: 09/08/20		ESTIMATED WEIGHT:		DESCRIPTION:		SHEET NO:		CLW VALVE CO.	
11.500": ± 0.005	11.750": ± 0.005	6.000": ± 0.005	6.250": ± 0.005	DRAWN BY: DWI		LBS.		24" CS15 NRS GEARED RESILIENT WEDGE GATE VALVE		4		CLW VALVE CO.	
12.000": ± 0.005	12.250": ± 0.005	6.250": ± 0.005	6.500": ± 0.005	DATE: 09/08/20		ESTIMATED WEIGHT:		DESCRIPTION:		SHEET NO:		CLW VALVE CO.	
12.500": ± 0.005	12.750": ± 0.005	6.500": ± 0.005	6.750": ± 0.005	DRAWN BY: DWI		LBS.		24" CS15 NRS GEARED RESILIENT WEDGE GATE VALVE		4		CLW VALVE CO.	
13.000": ± 0.005	13.250": ± 0.005	6.750": ± 0.005	7.000": ± 0.005	DATE: 09/08/20		ESTIMATED WEIGHT:		DESCRIPTION:		SHEET NO:		CLW VALVE CO.	
13.500": ± 0.005	13.750": ± 0.005	7.000": ± 0.005	7.250": ± 0.005	DRAWN BY: DWI		LBS.		24" CS15 NRS GEARED RESILIENT WEDGE GATE VALVE		4		CLW VALVE CO.	
14.000": ± 0.005	14.250": ± 0.005	7.250": ± 0.005	7.500": ± 0.005	DATE: 09/08/20		ESTIMATED WEIGHT:		DESCRIPTION:		SHEET NO:		CLW VALVE CO.	
14.500": ± 0.005	14.750": ± 0.005	7.500": ± 0.005	7.750": ± 0.005	DRAWN BY: DWI		LBS.		24" CS15 NRS GEARED RESILIENT WEDGE GATE VALVE		4		CLW VALVE CO.	
15.000": ± 0.005	15.250": ± 0.005	7.750": ± 0.005	8.000": ± 0.005	DATE: 09/08/20		ESTIMATED WEIGHT:		DESCRIPTION:		SHEET NO:		CLW VALVE CO.	
15.500": ± 0.005	15.750": ± 0.005	8.000": ± 0.005	8.250": ± 0.005	DRAWN BY: DWI		LBS.		24" CS15 NRS GEARED RESILIENT WEDGE GATE VALVE		4		CLW VALVE CO.	
16.000": ± 0.005	16.250": ± 0.005	8.250": ± 0.005	8.500": ± 0.005	DATE: 09/08/20		ESTIMATED WEIGHT:		DESCRIPTION:		SHEET NO:		CLW VALVE CO.	
16.500": ± 0.005	16.750": ± 0.005	8.500": ± 0.005	8.750": ± 0.005	DRAWN BY: DWI		LBS.		24" CS15 NRS GEARED RESILIENT WEDGE GATE VALVE		4		CLW VALVE CO.	
17.000": ± 0.005	17.250": ± 0.005	8.750": ± 0.005	9.000": ± 0.005	DATE: 09/08/20		ESTIMATED WEIGHT:		DESCRIPTION:		SHEET NO:		CLW VALVE CO.	
17.500": ± 0.005	17.750": ± 0.005	9.000": ± 0.005	9.250": ± 0.005	DRAWN BY: DWI		LBS.		24" CS15 NRS GEARED RESILIENT WEDGE GATE VALVE		4		CLW VALVE CO.	
18.000": ± 0.005	18.250": ± 0.005	9.250": ± 0.005	9.500": ± 0.005	DATE: 09/08/20		ESTIMATED WEIGHT:		DESCRIPTION:		SHEET NO:		CLW VALVE CO.	
18.500": ± 0.005	18.750": ± 0.005	9.500": ± 0.005	9.750": ± 0.005	DRAWN BY: DWI		LBS.		24" CS15 NRS GEARED RESILIENT WEDGE GATE VALVE		4		CLW VALVE CO.	
19.000": ± 0.005	19.250": ± 0.005	9.750": ± 0.005	10.000": ± 0.005	DATE: 09/08/20		ESTIMATED WEIGHT:		DESCRIPTION:		SHEET NO:		CLW VALVE CO.	
19.500": ± 0.005	19.750": ± 0.005	10.000": ± 0.005	10.250": ± 0.005	DRAWN BY: DWI		LBS.		24" CS15 NRS GEARED RESILIENT WEDGE GATE VALVE		4		CLW VALVE CO.	
20.000": ± 0.005	20.250": ± 0.005	10.250": ± 0.005	10.500": ± 0.005	DATE: 09/08/20		ESTIMATED WEIGHT:		DESCRIPTION:		SHEET NO:		CLW VALVE CO.	
20.500": ± 0.005	20.750": ± 0.005	10.500": ± 0.005	10.750": ± 0.005	DRAWN BY: DWI		LBS.		24" CS15 NRS GEARED RESILIENT WEDGE GATE VALVE		4		CLW VALVE CO.	
21.000": ± 0.005	21.250": ± 0.005	10.750": ± 0.005	11.000": ± 0.005	DATE: 09/08/20		ESTIMATED WEIGHT:		DESCRIPTION:		SHEET NO:		CLW VALVE CO.	



DETAIL A
45° SECTION VIEW



DETAIL B



DETAIL C

THIRD ANGLE PROJECTION STANDARDS AND METAL LOG. 11.41 AND 11.41.1 TOLERANCES AS FOLLOWS UNLESS OTHERWISE SPECIFIED.		PROPERTY OF MCWANE CORPORATION. ALL MODELS AND IDENTIFYING INFORMATION ARE PROPRIETARY TO MCWANE CORPORATION AND ITS SUBSIDIARIES. REPRODUCTION OR USE WITHOUT PERMISSION IS PROHIBITED. ALL RIGHTS RESERVED.		SHEET NO. C
CASTING TOLERANCES 0-4": ± 0.005 4-8": ± 0.004 8-12": ± 0.003 12-18": ± 0.002 18-UP": ± 0.001 MIN RADIUS: 1/8" FINISH: Z	MACHINED DIMENSIONS DECIMALS: ± 0.005 FRACTIONS: ± 1/100 ANGLE: ± 1° SURFACE FINISH: 125 μin RAD: 1/8"	MATERIAL C515 NRS	ESTIMATED WEIGHT LBS.	DESCRIPTION 24" C515 NRS GEARED RESILIENT WEDGE GATE VALVE
DWI	DATE DRAWN 09/08/20	CHK BY [Blank]	CHECKED [Blank]	SCALE 1:5

<u>ITEM NO.</u>	<u>COMPONENT</u>	<u>QTY.</u>	<u>SIZE</u>	<u>STANDARD MATERIAL</u>	<u>MATERIAL OPTIONS</u>
1	BODY	1		DUCTILE IRON	
2	TRACK	2		316 SS	
3	WEDGE	1		DUCTILE IRON/EPDM	
4	STEM NUT	1		C87850	C87610
5	COVER	1		DUCTILE IRON	
6	SCRAPER	2		C95500	
7	ROLLER	4		C95400	
8	COILED SPRING PIN	4	1/2" x 2-3/4"	18-8 SS	
9	STEM	1		C86200	C99500, 304 SS, 316 SS
10	THRUST WASHER	2		DELFIN	
11	O-RING	3	#329	EPDM	BUNA-N
12	O-RING	1	#474	EPDM	BUNA-N
13	CAPSCREW	20	3/4" - 10 X 4-1/2"	18-8 SS	316 SS
14	HEX NUT	20	3/4" - 10	18-8 SS	316 SS
15	FLAT WASHER	20	3/4"	18-8 SS	316 SS
16	ADAPTER PLATE	1		DUCTILE IRON	
17	GEAR EXTENSION	1		DUCTILE IRON	
18	O-RING	1	#447	EPDM	BUNA-N
19	O-RING	1	#433	EPDM	BUNA-N
20	KEY	1	1/2" X 1/2" X 2"	STEEL	
21	HEX NUT	8	7/8" - 9	18-8 SS	316 SS
22	CAPSCREW	4	7/8" - 9 X 3-1/2"	18-8 SS	316 SS
23	CAPSCREW	4	7/8" - 9 X 4"	18-8 SS	316 SS
24	CAPSCREW SOCKET HEAD	4	3/4" - 10 X 1-1/2"	18-8 SS	316 SS
25	CAPSCREW	1	5/16" - 18 X 3/4"	18-8 SS	316 SS
26	FENDER WASHER	1	5/16"	316 SS	
27	BEVEL GEAR	1			SPUR GEAR
28	GASKET	1		EPDM	
29	COILED SPRING PIN	1	10MM X 45MM	302 SS	304 SS
30	PLUG	2	1-1/4" NPT	304 SS	316 SS
31	OPERATING NUT	1		CAST IRON	DUCTILE IRON, C86700, *24" HANDWHEEL OPTION*
32	PLUG	1	1/2" NPT	304 SS	316 SS

- VALVES CONFORM WITH FOLLOWING STANDARDS
 - AWWA C515
 - NSF 61
- LOW ZINC BRASS STEM AND STEM NUT AVAILABLE
- 100% DOMESTIC FASTENER AND O-RING OPTIONS AVAILABLE
- OPEN LEFT (COUNTERCLOCKWISE) AND OPEN RIGHT (CLOCKWISE) OPTIONS AVAILABLE
- TURNS TO OPEN FROM FULLY CLOSED: 228
 - +/- 5% WITH STANDARD 3:1 BEVEL OR SPUR GEAR
- AWWA MAXIMUM ALLOWABLE CLOSING TORQUE 250 FT-LBS WITH STANDARD GEARING
- OPTIONAL HANDWHEEL CAN BE SUBSTITUTED FOR STANDARD 2" SQUARE OP NUTS
 - **NOTE: STANDARD HANDWHEEL SIZE CALLED OUT IN PARTS LIST**

C	2290	BLS	03/29/23
B	-	CW	1/26/22
A	-	BLS	05/14/21
SYM	ECN	DR	DATE

<small>THIRD ANGLE PROJECTION STANDARDS: ANSI/ASME Y14.5, Y14.6, AND Y14.41 TOLERANCES AS FOLLOWS UNLESS OTHERWISE SPECIFIED.</small>	<small>PROPERTY OF MCWANE CORPORATION. ALL RIGHTS AND DESIGN INFORMATION ARE PROPRIETARY TO MCWANE CORPORATION AND ITS SUBSIDIARIES. REPRODUCTION OR USE WITHOUT PERMISSION OF MCWANE CORPORATION IS PROHIBITED. ALL RIGHTS RESERVED.</small>	<small>DESCRIPTION</small> 24" C515 NRS GEARED RESILIENT WEDGE GATE VALVE	<small>ESTIMATED WEIGHT</small> LBS.	<small>DATE DRAWN</small> 09/08/20	<small>CHECKED BY</small> 	<small>DATE</small> 	<small>SCALE</small> 1:5	<small>SHEET NO.</small> 6	<small>TOTAL SHEETS</small> 6	<small>SOFTWARE</small> Solidworks 2018 SP2	CLW VALVE CO.
---	---	---	--	---------------------------------------	-------------------------------	-------------------------	-----------------------------	-------------------------------	----------------------------------	--	-------------------------