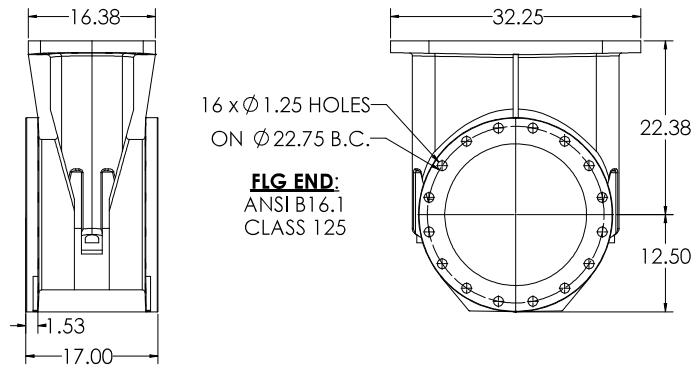
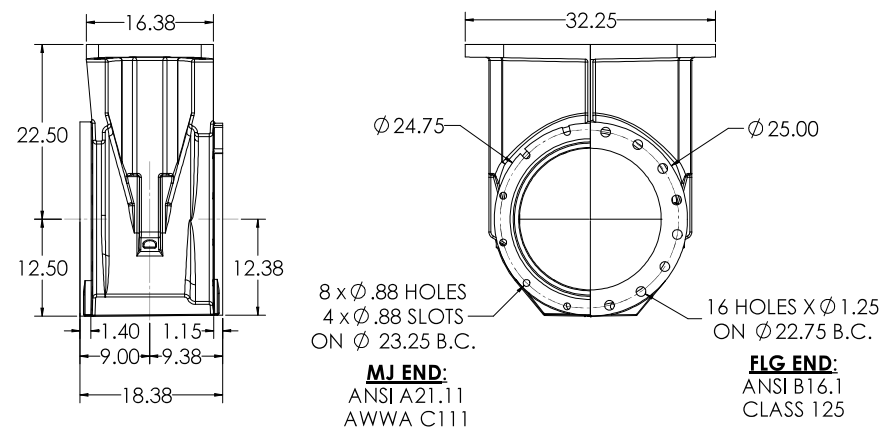


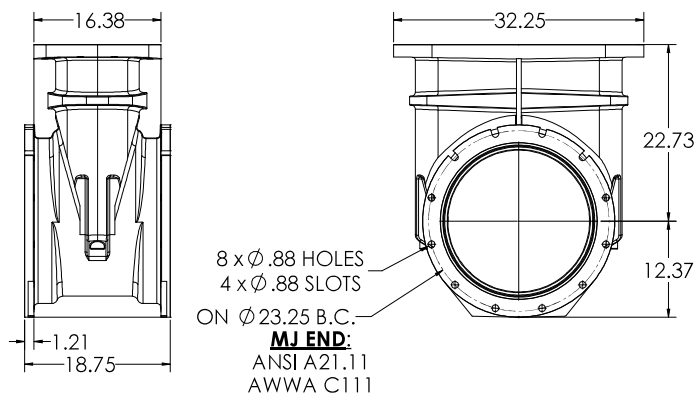
18" C515 FLG X FLG



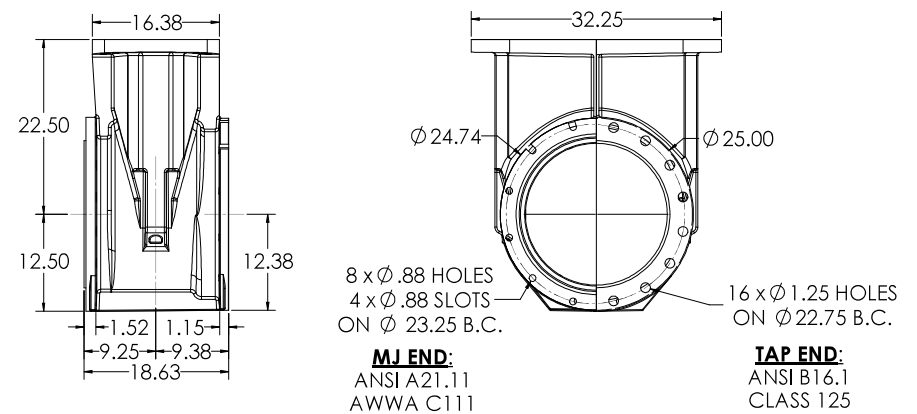
18" C515 FLG X MJ



18" C515 MJ X MJ

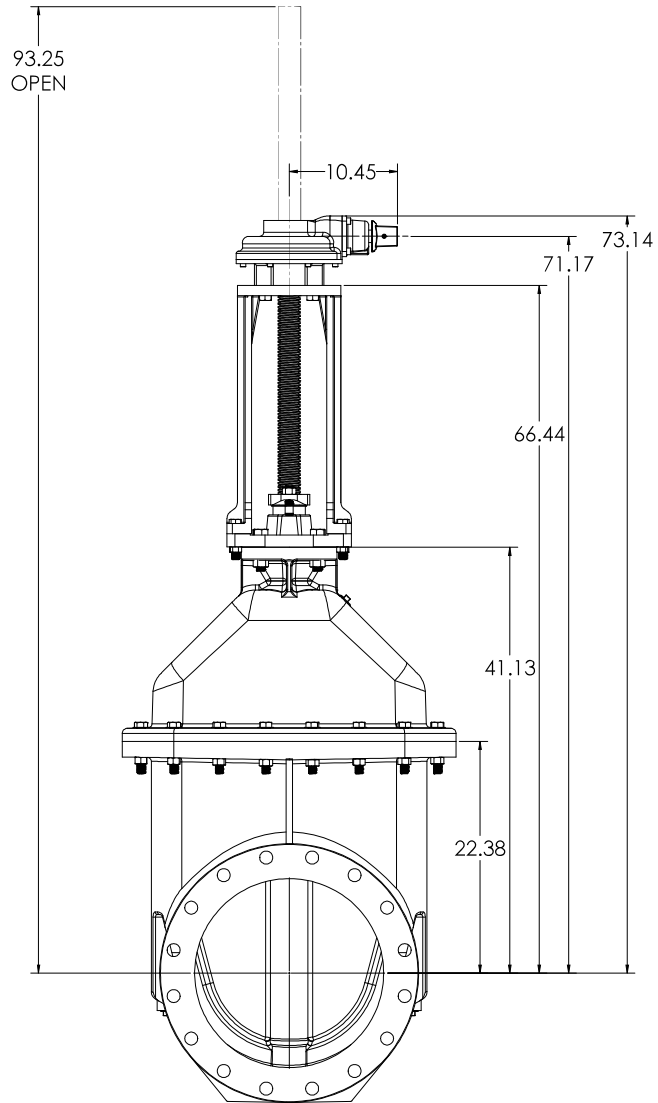


18" C515 MJ X TAP

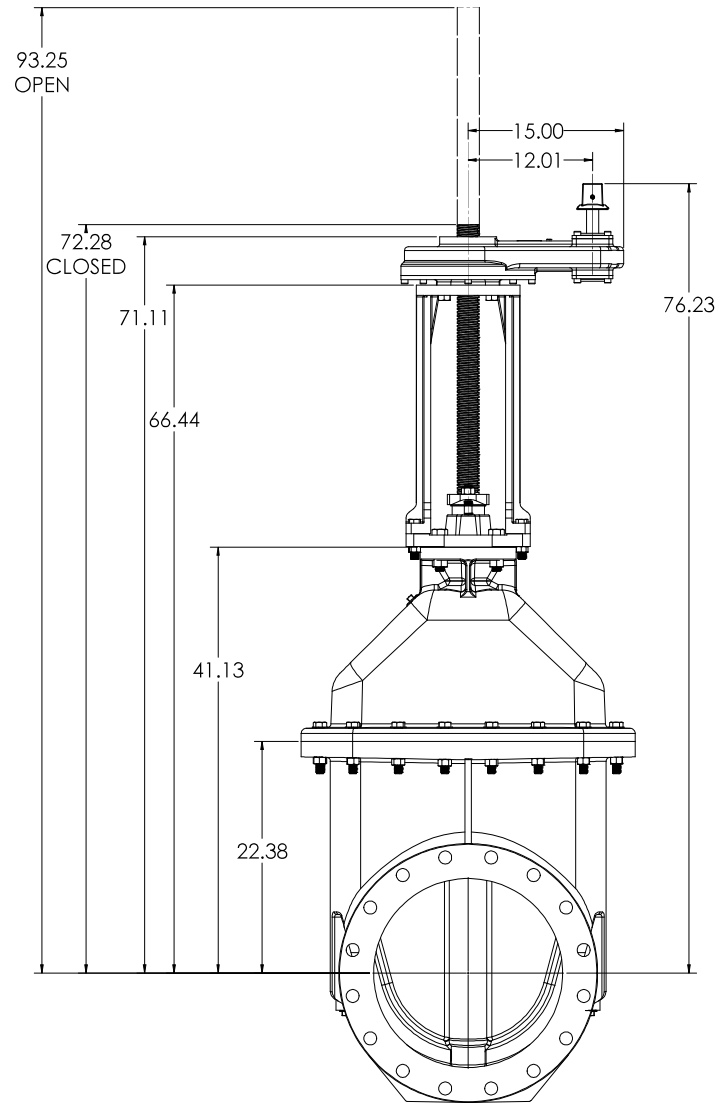


REVISED DWG NO: 1041420 DATE: 08/11/10 BY: DWI		DESCRIPTION 18" C515 CS&Y RESILIENT WEDGE GATE VALVE		SCALE 1:8		PROJECT 18" C515 CS&Y RESILIENT WEDGE GATE VALVE		DATE 08/11/10		BY DWI		CHECKED DWI		APPROVED DWI		CLW 10/16/10	
--	--	---	--	---------------------	--	---	--	-------------------------	--	------------------	--	-----------------------	--	------------------------	--	------------------------	--

BEVEL GEAR WITH OPERATING NUT



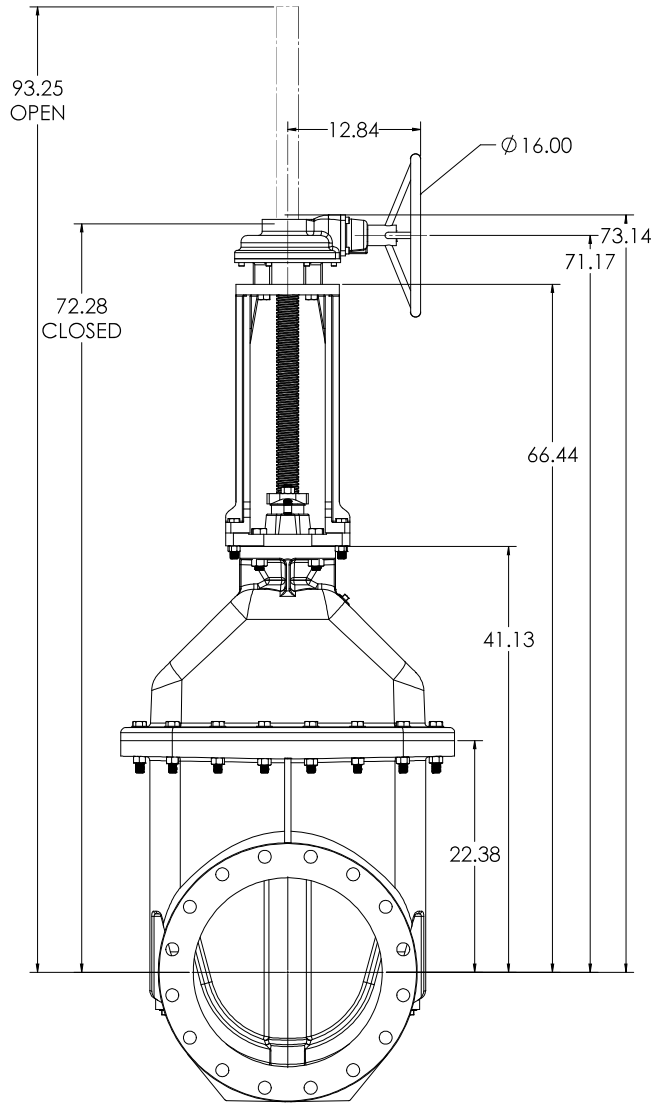
SPUR GEAR WITH OPERATING NUT



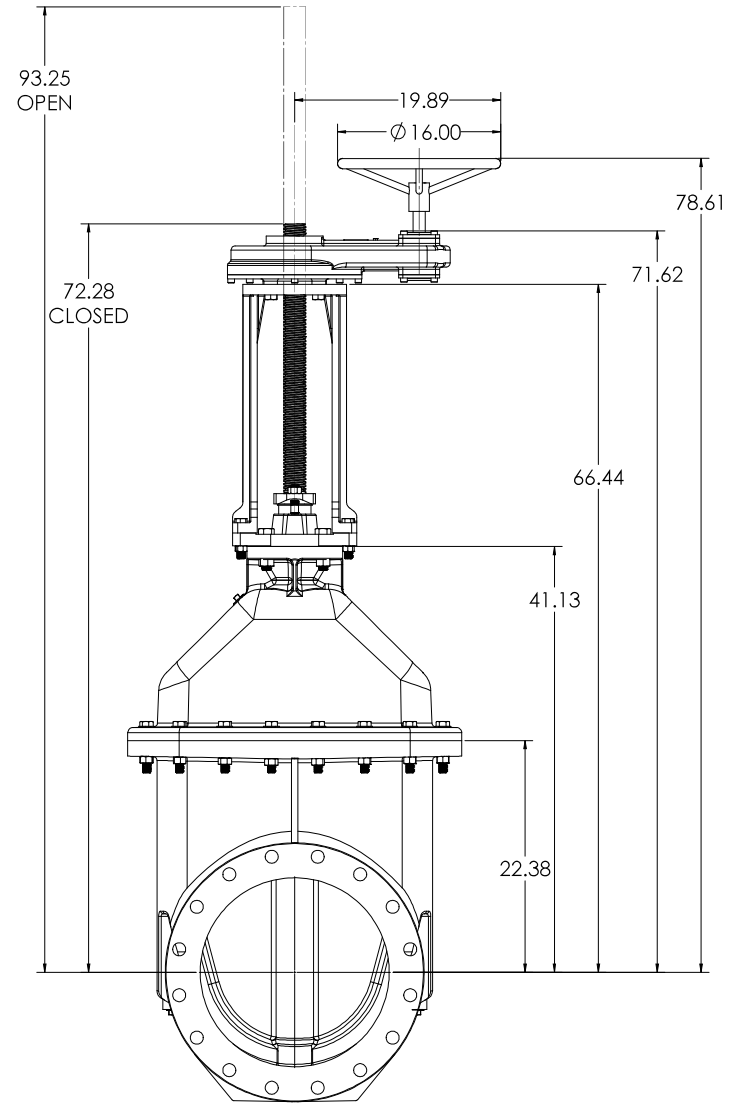
DWG NO: 104120 DATE: 01/15/16 DRAWN BY: DWI CHECKED BY: TSC		PROJECT NO: 104120 PROJECT NAME: 18" CS15 CS&Y RESILIENT WEDGE GATE VALVE SCALE: 1:5 SHEET NO: 7		DRAWN BY: DWI CHECKED BY: TSC DATE: 01/15/16	PROJECT NO: 104120 PROJECT NAME: 18" CS15 CS&Y RESILIENT WEDGE GATE VALVE SCALE: 1:5 SHEET NO: 7
--	--	---	--	--	---

CLW
 10/15/16
 7
 D

BEVEL GEAR WITH HANDWHEEL

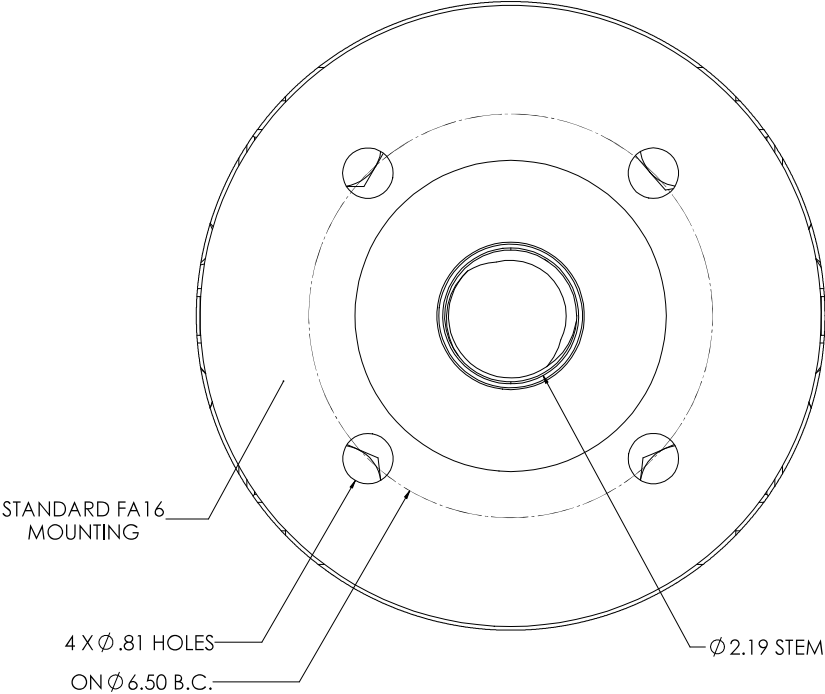
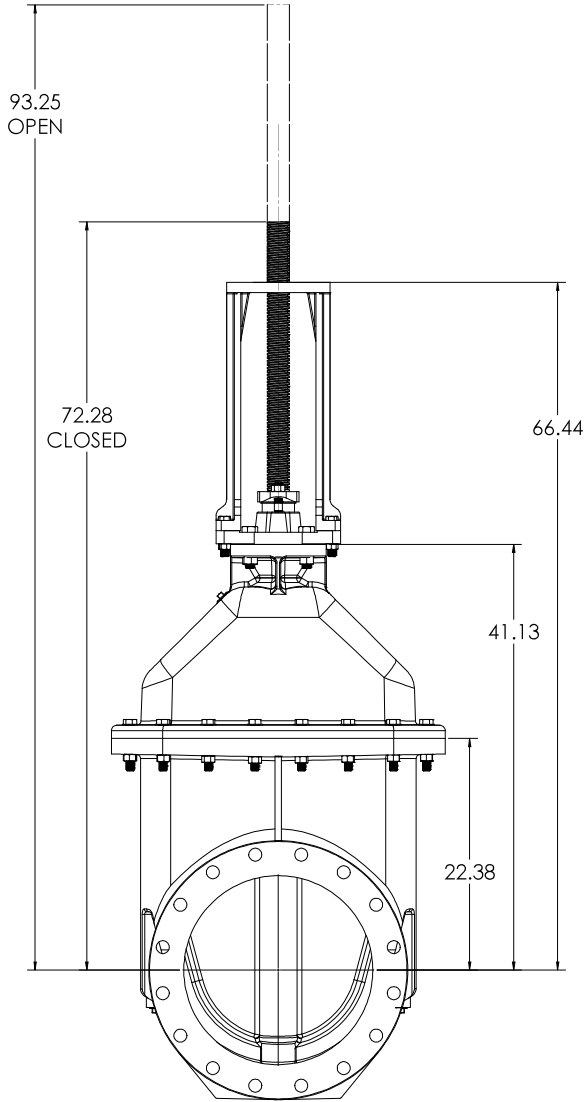


SPUR GEAR WITH HANDWHEEL



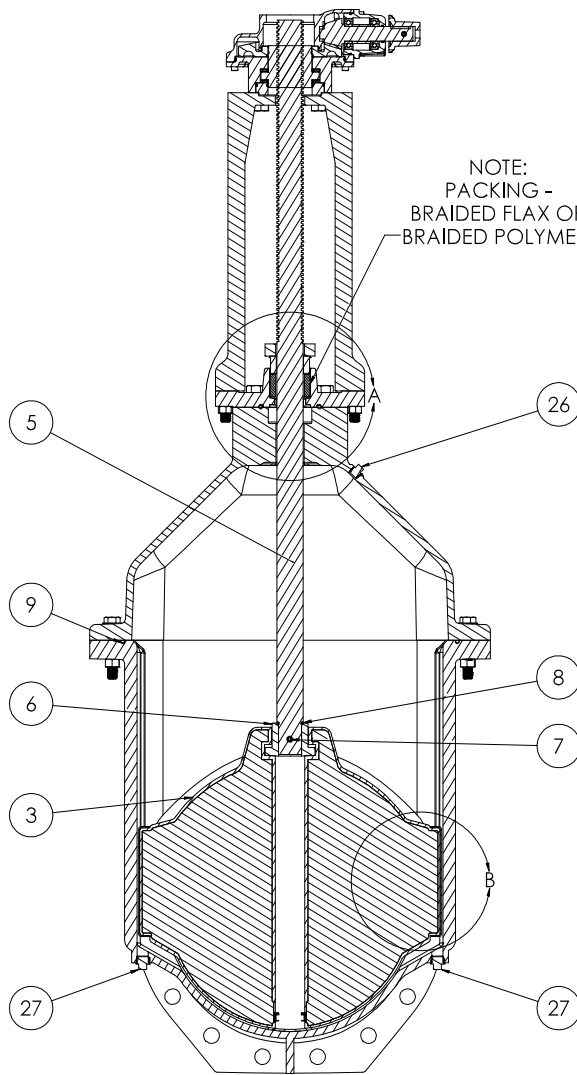
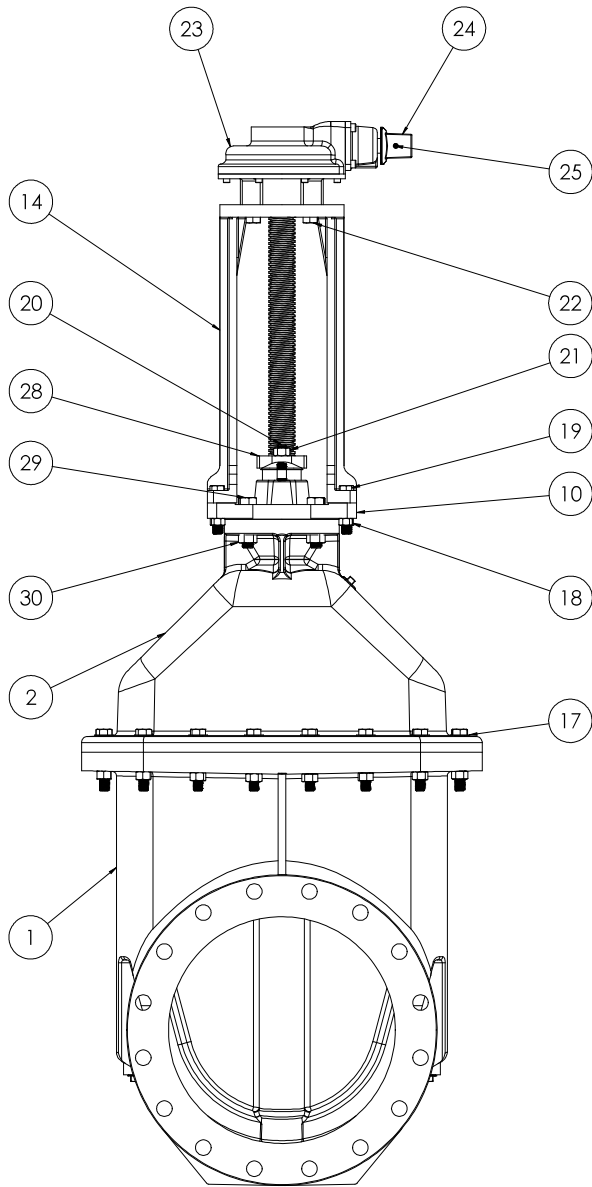
CLW CONSTRUCTION LINE WORKS 18000 S. 100th St., Suite 100 Omaha, NE 68147 (402) 426-1100 www.clw.com		PROJECT: 18" CS15 CS&Y RESILIENT WEDGE GATE VALVE LBS. GATE VALVE T:6 Scale: 1:6 DWG: 184120		SHEET: 3 TOTAL: 7 DATE: 1/15/16 DRAWN: DWI CHECKED: TSK APPROVED: [Signature]
--	--	--	--	--

BARE STEM

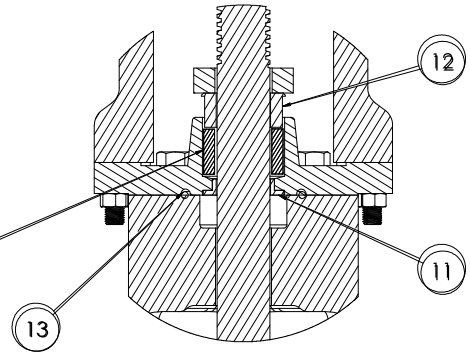


**BARE STEM
MOUNTING FLANGE**

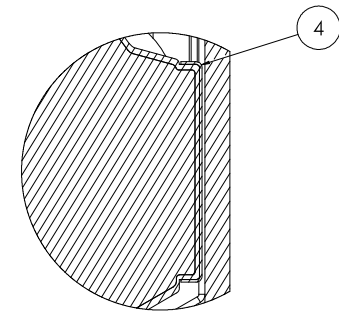
DWG NO: 1041420 DATE: 1/20/16 DRAWN: DWI CHECKED: TSC APPROVED: [Signature]		PROJECT NO: 1041420 PROJECT NAME: 18" CS15 CS&Y RESILIENT WEDGE GATE VALVE SHEET NO: 7 TOTAL SHEETS: 7		SCALE: T:6 MATERIAL: LBS WEIGHT: 1.6		DESIGNED BY: [Signature] CHECKED BY: [Signature] APPROVED BY: [Signature]		COMPANY: CLW ADDRESS: [Address] PHONE: [Phone] FAX: [Fax]	
---	--	---	--	--	--	---	--	--	--



NOTE:
PACKING -
BRAIDED FLAX OR
BRAIDED POLYMER



DETAIL A



DETAIL B

DWG NO: 1041420 DATE: 12/15/10 DWG: DWG CHECKED: DWG DESIGNED: DWG APPROVED: DWG SCALE: 1:1 SHEET: 5 TOTAL: 7		PROJECT NO: 1041420 PROJECT NAME: 18" CS15 CS&Y RESILIENT WEDGE GATE VALVE UNIT: LBS. SCALE: 1:1 SHEET: 5 TOTAL: 7		DWG: DWG DATE: 12/15/10 SCALE: 1:1 SHEET: 5 TOTAL: 7	PROJECT NO: 1041420 PROJECT NAME: 18" CS15 CS&Y RESILIENT WEDGE GATE VALVE UNIT: LBS. SCALE: 1:1 SHEET: 5 TOTAL: 7
---	--	---	--	--	---

<u>ITEM NO.</u>	<u>COMPONENT</u>	<u>QTY.</u>	<u>SIZE</u>	<u>STANDARD MATERIAL</u>	<u>MATERIAL OPTIONS</u>
1	BODY	1	-	DUCTILE IRON	-
2	COVER	1	-	DUCTILE IRON	-
3	WEDGE	1	-	EPDM/DUCTILE IRON	-
4	WEDGE CAP	4	-	DELFIN	-
5	STEM	1	2 1/8"	C65500	304 SS, 316 SS
6	STEM NUT	1	-	C86200	C99500 304 SS, 316 SS
7	COILED SPRING PIN	1	1/2" X 3 1/4"	303 SS	-
8	O-RING	1	#327	EPDM	BUNA-N
9	O-RING	1	#469	EPDM	BUNA-N
10	STUFFING BOX	1	-	DUCTILE IRON	-
11	BUSHING	1	-	C87850	-
12	GLAND	1	-	C87850	-
13	O-RING	1	#425	EPDM	BUNA-N
14	YOKE	1	-	DUCTILE IRON	-
15	HEX HEAD CAPSCREW	16	3/4"-10 X 4 1/2"	18-8 SS	316 SS
16	HEX NUT	16	3/4"-10	18-8 SS	316 SS
17	FLAT WASHER	16	3/4"-10	18-8 SS	316 SS
18	HEX NUT	8	5/8"-11	18-8 SS	316 SS
19	HEX HEAD CAPSCREW	8	5/8"-11 X 3 1/2"	18-8 SS	316 SS
20	STUD	2	3/4" X 3 3/4"	YELLOW ZINC	316 SS
21	HEX NUT	2	3/4"-10	BRASS	-
22	HEX HEAD CAPSCREW	4	3/4"-10 X 3 1/2"	18-8 SS	316 SS
23	BEVEL GEAR	1	-	-	-
24	OPERATING NUT	1	-	CAST IRON	304 SS, C86700 ** Ø 16" HANDWHEEL **
25	COILED SPRING PIN	1	10mm X 45mm	302 SS OR 304 SS	-
26	PIPE PLUG	1	1/2" - NPT	304 SS	316 SS
27	PIPE PLUG	2	3/4" - NPT	18-8 SS	316 SS
28	FOLLOWER PLATE	1	-	DUCTILE IRON	-
29	HEX HEAD CAP SCREW	4	7/8"-9 X 3 1/2"	18-8 SS	316 SS
30	HEX NUT	4	7/8"-9	18-8 SS	316 SS

- VALVES CONFORM WITH FOLLOWING STANDARDS
 - AWWA C515
 - NSF 61
- LOW ZINC BRASS STEM AND STEM NUT AVAILABLE
- 100% DOMESTIC FASTENER AND O-RING OPTIONS AVAILABLE
- OPEN LEFT (COUNTERCLOCKWISE) AND OPEN RIGHT (CLOCKWISE) OPTIONS AVAILABLE
- TURNS TO OPEN FROM FULLY CLOSED: 192
 - +/- 5% WITH STANDARD 3:1 BEVEL OR SPUR GEAR
- AWWA MAXIMUM ALLOWABLE CLOSING TORQUE 250 FT-LBS WITH STANDARD GEARING
- OPTIONAL HANDWHEEL CAN BE SUBSTITUTED FOR STANDARD 2" SQUARE OP NUTS
 - **NOTE: STANDARD HANDWHEEL SIZE CALLED OUT IN PARTS LIST**

DWG NO: 1041420 DATE: 10/12/10 DRAWN: DWI CHECKED: TSC APPROVED: [Signature]		PROJECT NO: 1041420 PROJECT NAME: 18" CS15 CS&Y RESILIENT WEDGE GATE VALVE SCALE: T:5 SHEET NO: 6 OF 7 DRAWING NO: 7	CLW CONSTRUCTION LOGIC WORKS CO.
--	--	--	--