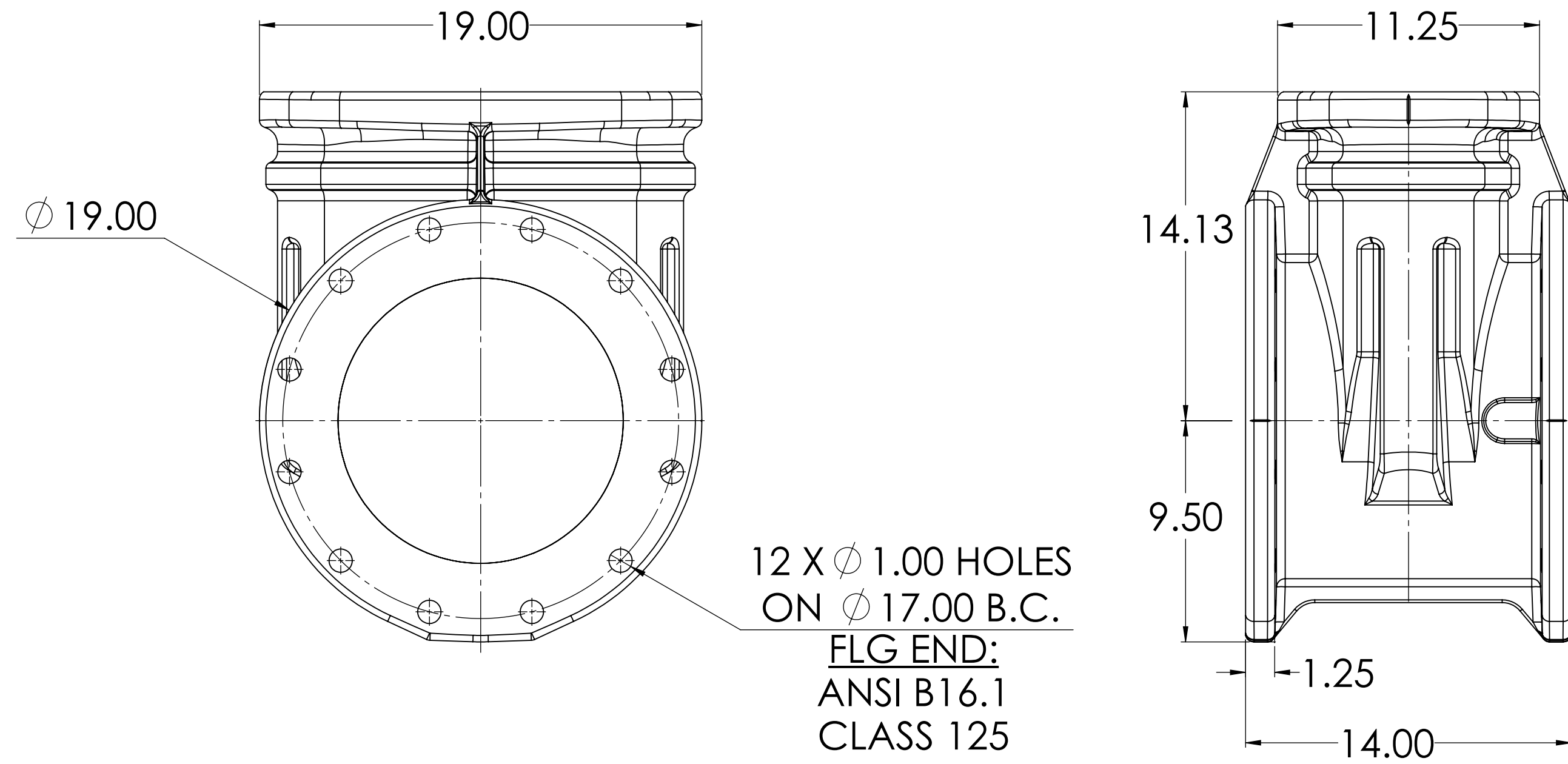
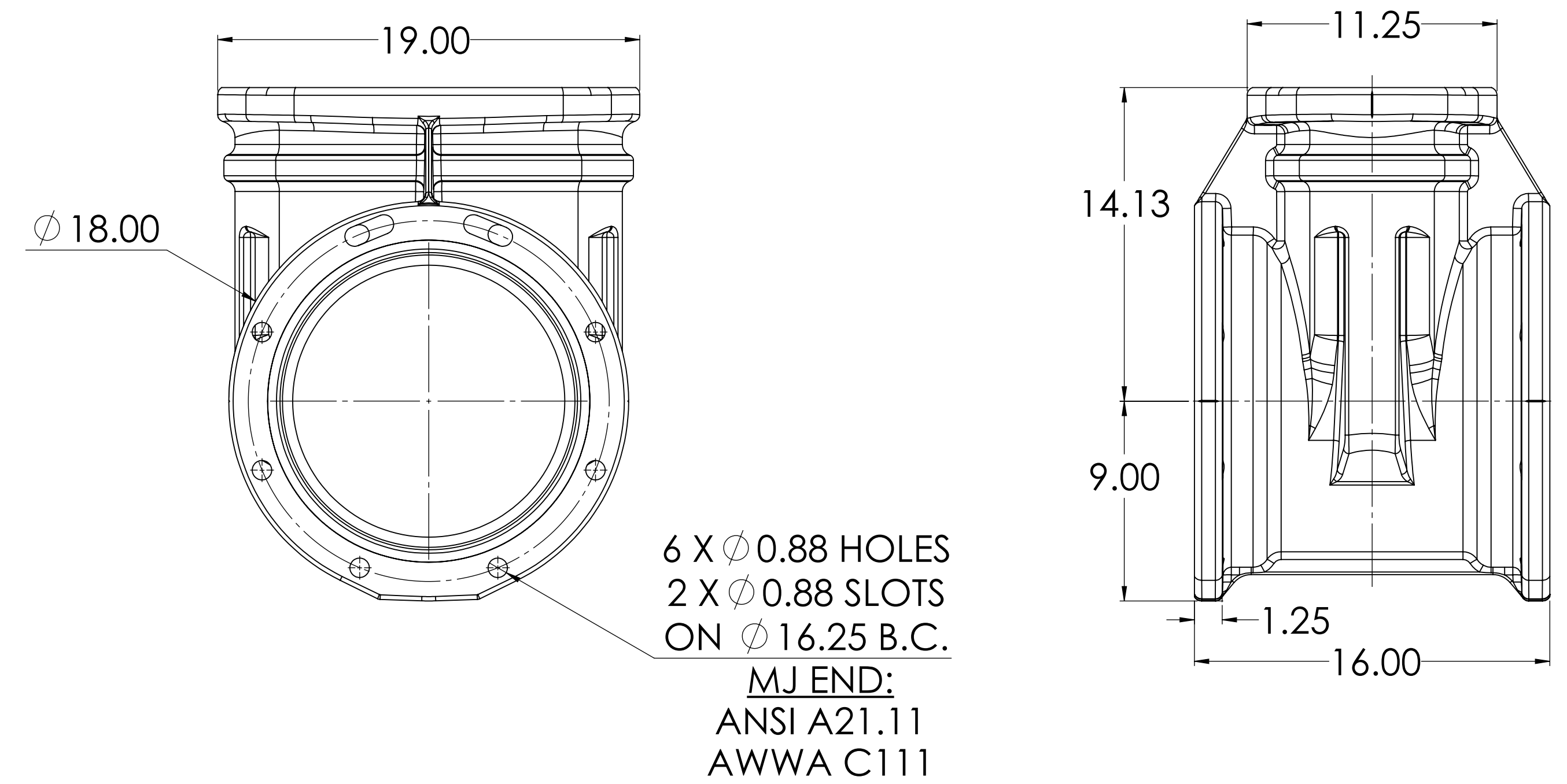


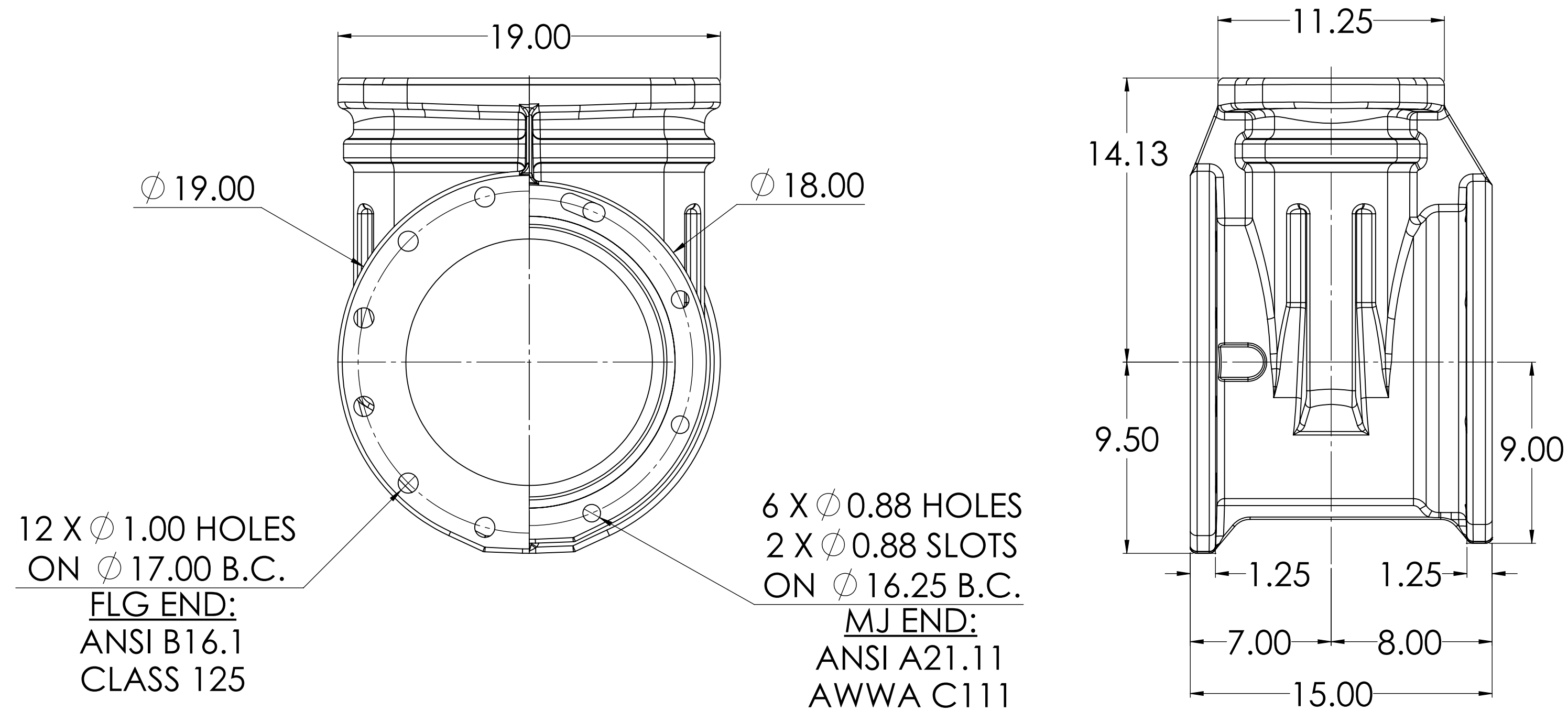
12" C509 FLG X FLG



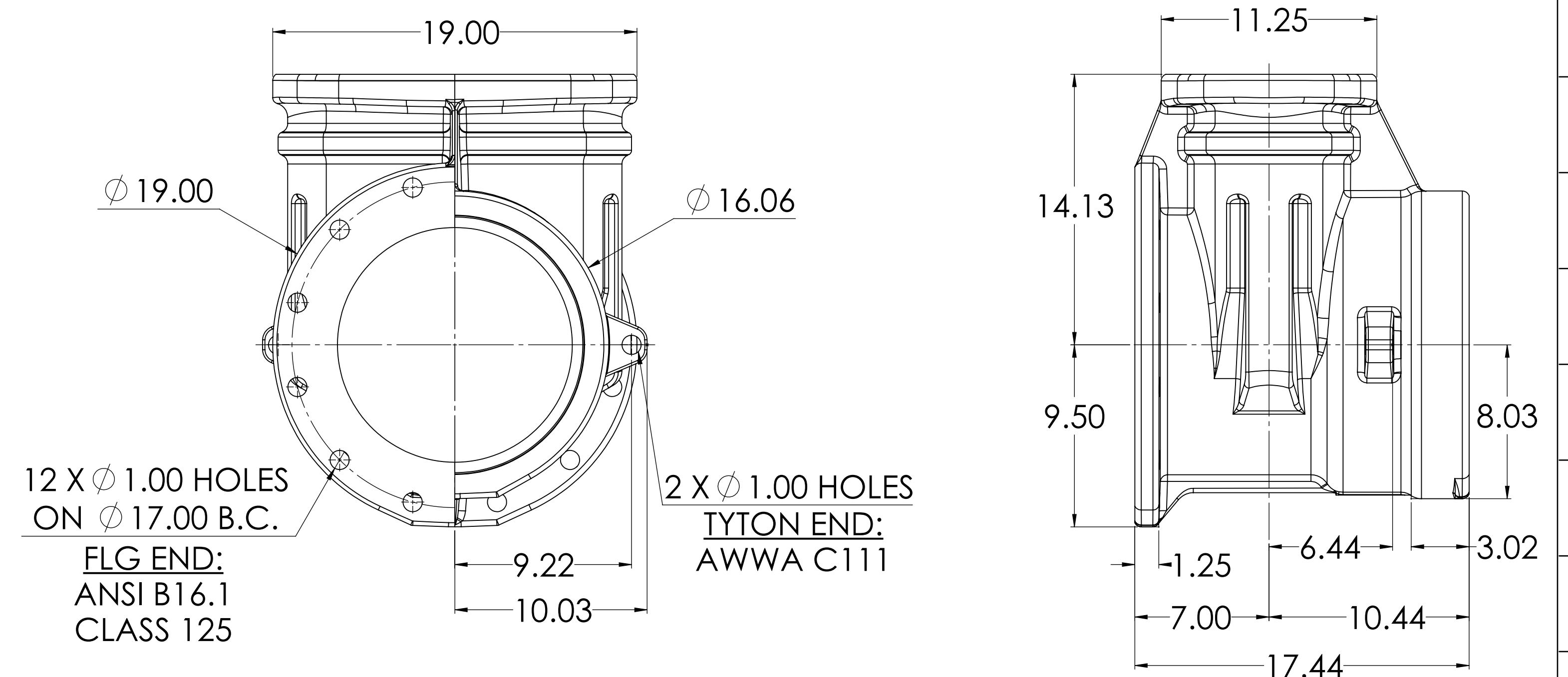
12" C509 MJ X MJ



12" C509 FLG X MJ

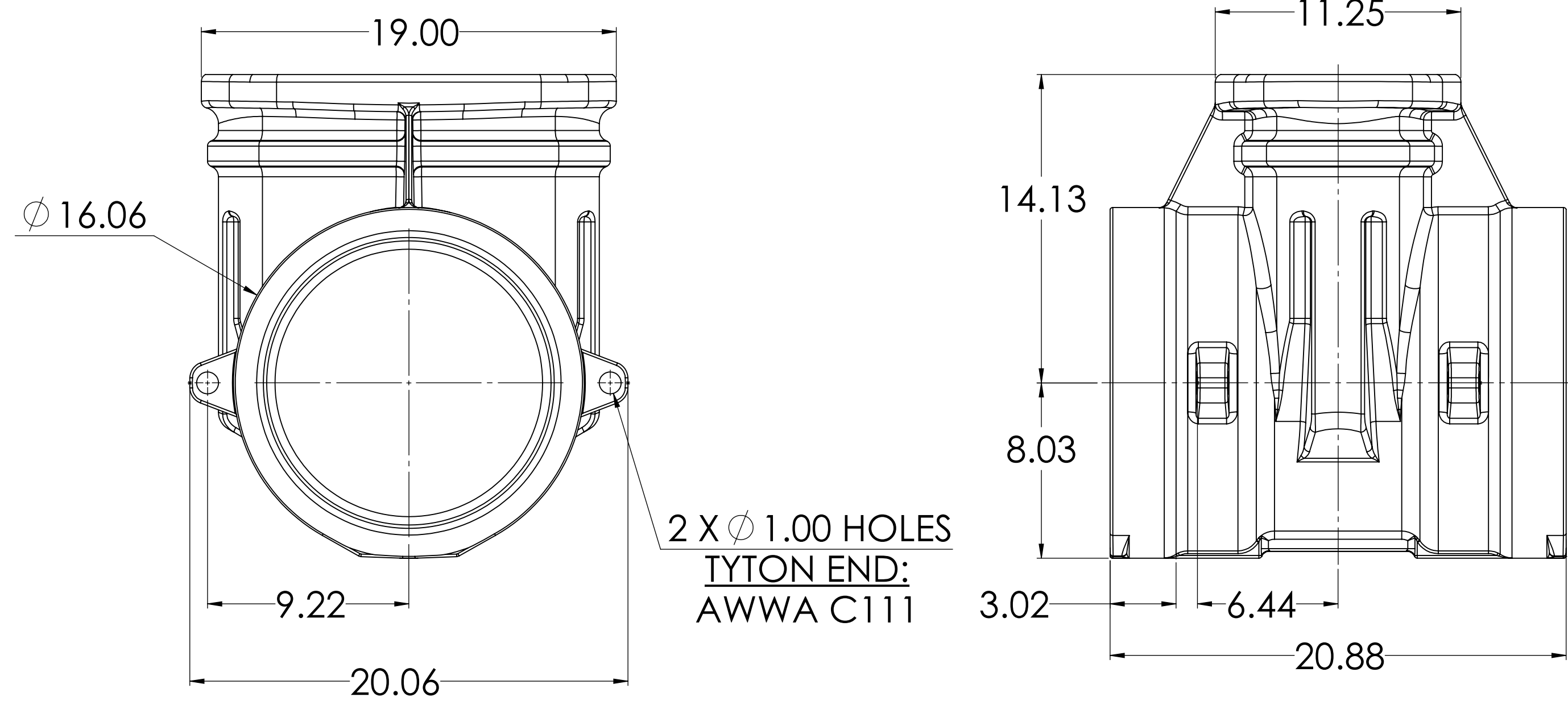


12" C509 FLG X TYTON

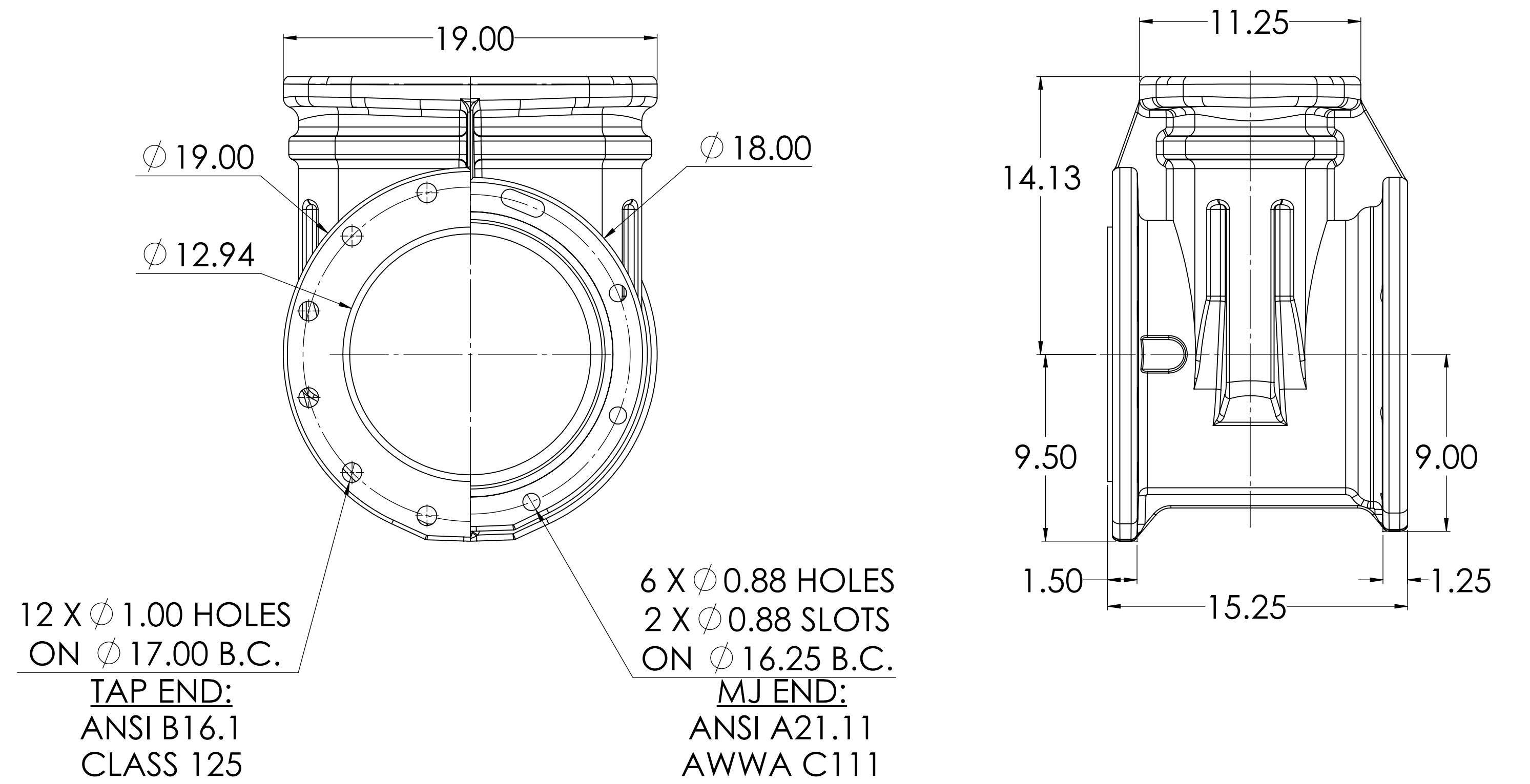


STANDARDS: ANSI B16.1 (11, 12, 13, 14, 15, 16, 17, 18, 19, 20, 21, 22, 23, 24, 25, 26, 27, 28, 29, 30, 31, 32, 33, 34, 35, 36, 37, 38, 39, 40, 41, 42, 43, 44, 45, 46, 47, 48, 49, 50, 51, 52, 53, 54, 55, 56, 57, 58, 59, 60, 61, 62, 63, 64, 65, 66, 67, 68, 69, 70, 71, 72, 73, 74, 75, 76, 77, 78, 79, 80, 81, 82, 83, 84, 85, 86, 87, 88, 89, 90, 91, 92, 93, 94, 95, 96, 97, 98, 99, 100)		PROPERTY OF MCWANE CORPORATION. ALL RIGHTS RESERVED. THIS DRAWING IS THE PROPERTY OF MCWANE CORPORATION AND IS NOT TO BE REPRODUCED OR TRANSMITTED IN ANY FORM OR BY ANY MEANS, ELECTRONIC OR MECHANICAL, INCLUDING PHOTOCOPYING, RECORDING, OR BY ANY INFORMATION STORAGE AND RETRIEVAL SYSTEM, WITHOUT THE WRITTEN PERMISSION OF MCWANE CORPORATION.	
Casting Tolerances: 0.4" ± 0.005 0.4" ± 0.004 0.125" ± 0.003 0.125" ± 0.002 0.125" ± 0.001 MIN RADIUS: 1/8" FINISH: Z		Machined Dimensions: DECIMALS: ± 0.005 FRACTIONS: ± 1/100 ANGLE: ± 1° SURFACE FINISH: 125 μin RADIUS: 1/8"	
ESTIMATED WEIGHT: LBS.		DESCRIPTION: 12" C509 NRS Resilient Wedge Gate Valve	
DATE DRAWN: 12/3/2020		SHEET NO: 5 OF 5	

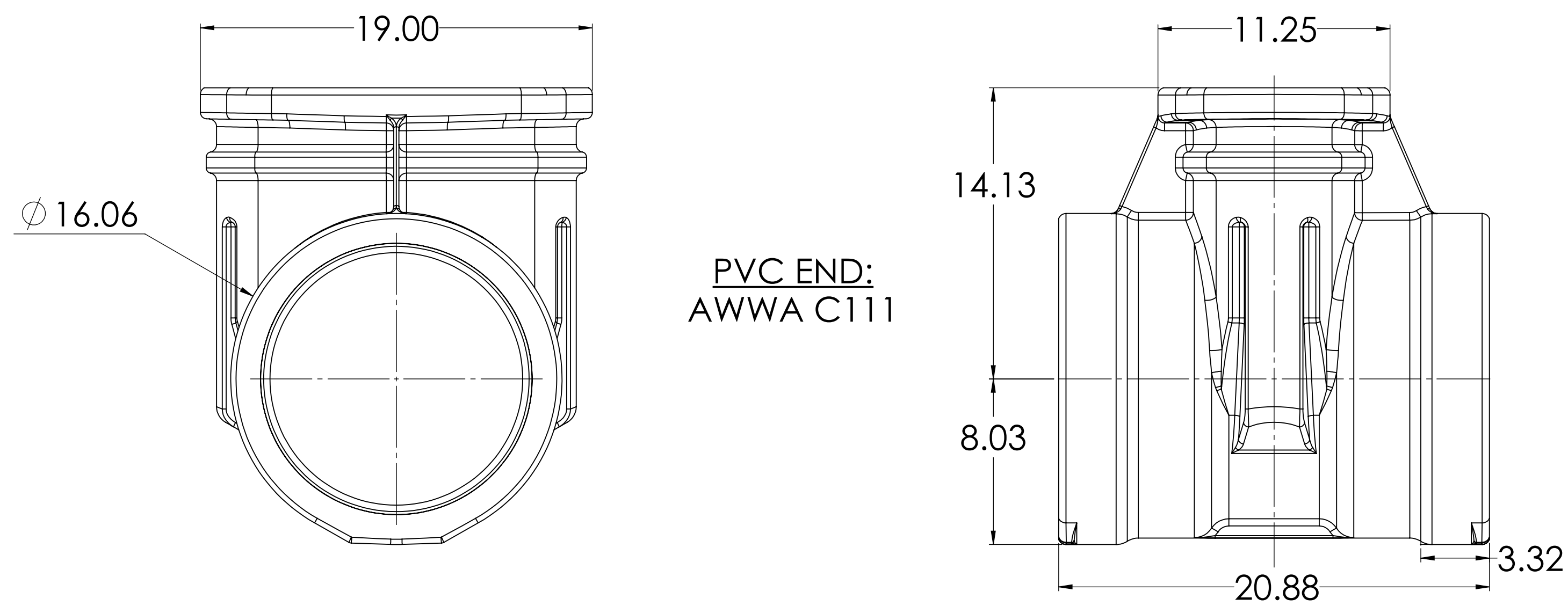
12" C509 TYTON X TYTON



12" C509 MJ X TAP

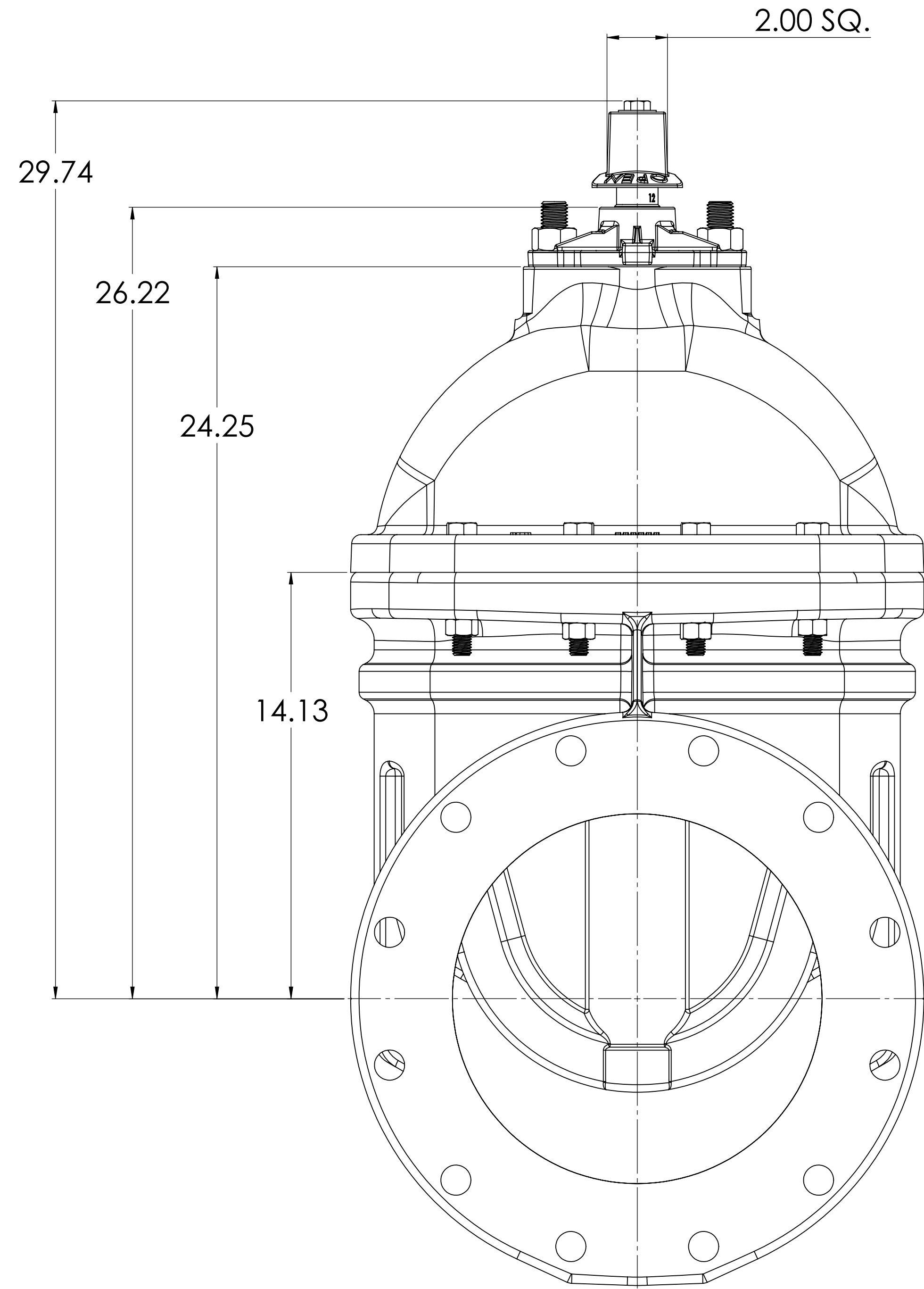


12" C509 PVC X PVC

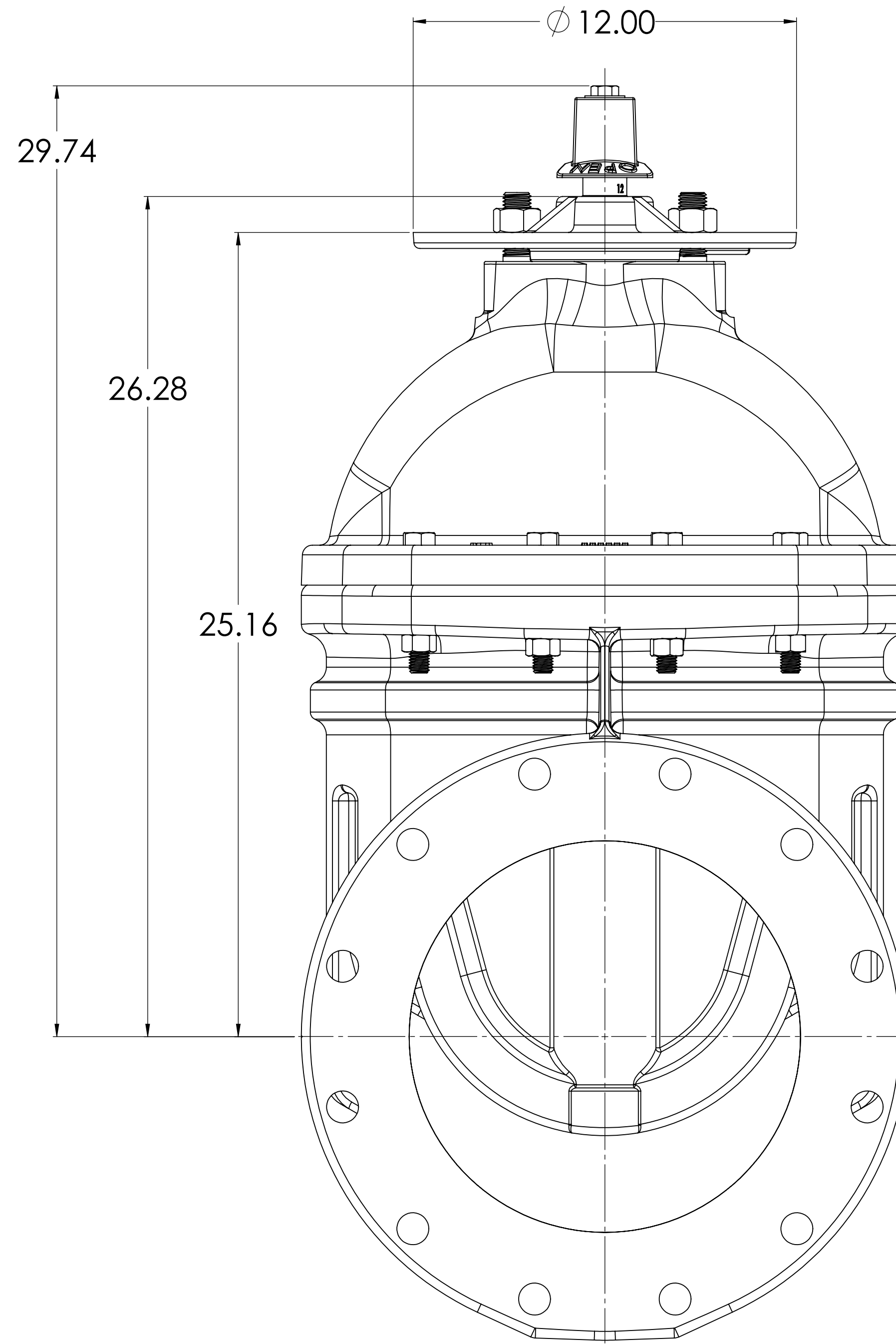


STANDARDS: ANSI/AWWA C111, C115, C118, AND C119. TOLERANCES: AS FOLLOWS UNLESS OTHERWISE SPECIFIED.		PROPERTY OF MCWANE CORPORATION. ALL RIGHTS RESERVED. THIS DRAWING IS THE PROPERTY OF MCWANE CORPORATION AND IS UNREPRODUCIBLE WITHOUT WRITTEN PERMISSION. ALL RIGHTS RESERVED.		DATE: 12/3/2020	BY: CW	CHECKED: []	SCALE: 1:5	SHEET OF: 5	CLW VALVE CO.
CASTING TOLERANCES:		MACHINED DIMENSIONS:		MATERIAL:		DESCRIPTION:		12" C509 NRS RESILIENT WEDGE GATE VALVE	
6-8": ± 0.005	DECIMALS: ± 0.005	6-8": ± 0.005	DECIMALS: ± 0.005	ESTIMATED WEIGHT: LBS.		SHEET OF: 5		Solidworks 2018 SP2	
8-12": ± 0.006	FRACTIONS: 1/16"	8-12": ± 0.006	FRACTIONS: 1/16"	DATE DRAWN: 12/3/2020		SHEET OF: 5		Solidworks 2018 SP2	
13-18": ± 0.007	ANGLE: 1/2°	13-18": ± 0.007	ANGLE: 1/2°	DATE: 12/3/2020		SHEET OF: 5		Solidworks 2018 SP2	
18-UP": ± 0.008	RADIUS: 1/8"	18-UP": ± 0.008	RADIUS: 1/8"	DATE: 12/3/2020		SHEET OF: 5		Solidworks 2018 SP2	
MIN RADIUS: 1/8"	MIN RADIUS: 1/8"	MIN RADIUS: 1/8"	MIN RADIUS: 1/8"	DATE: 12/3/2020		SHEET OF: 5		Solidworks 2018 SP2	
MIN RADIUS: 1/8"	MIN RADIUS: 1/8"	MIN RADIUS: 1/8"	MIN RADIUS: 1/8"	DATE: 12/3/2020		SHEET OF: 5		Solidworks 2018 SP2	

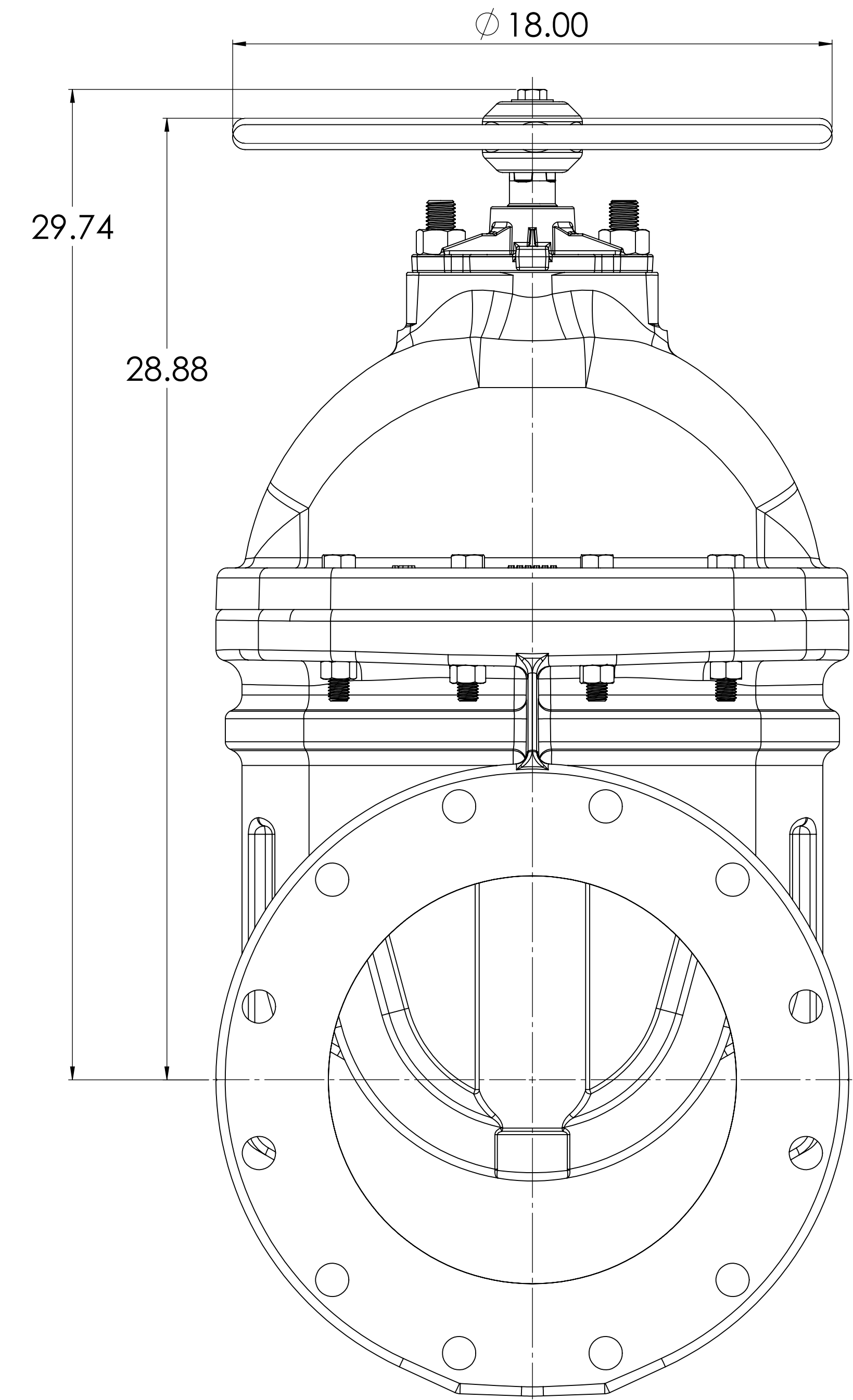
OPERATING NUT WITH O-RING PLATE



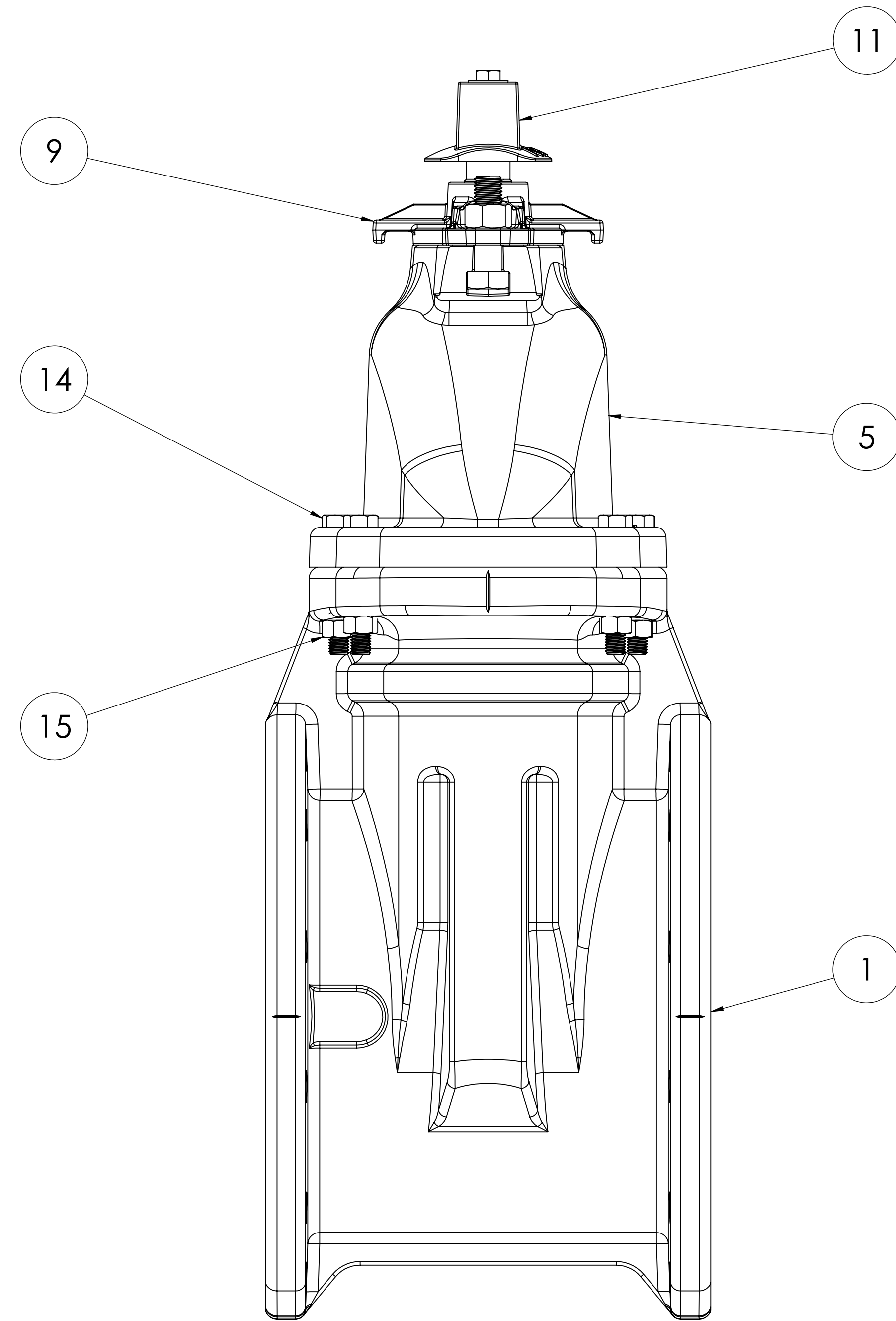
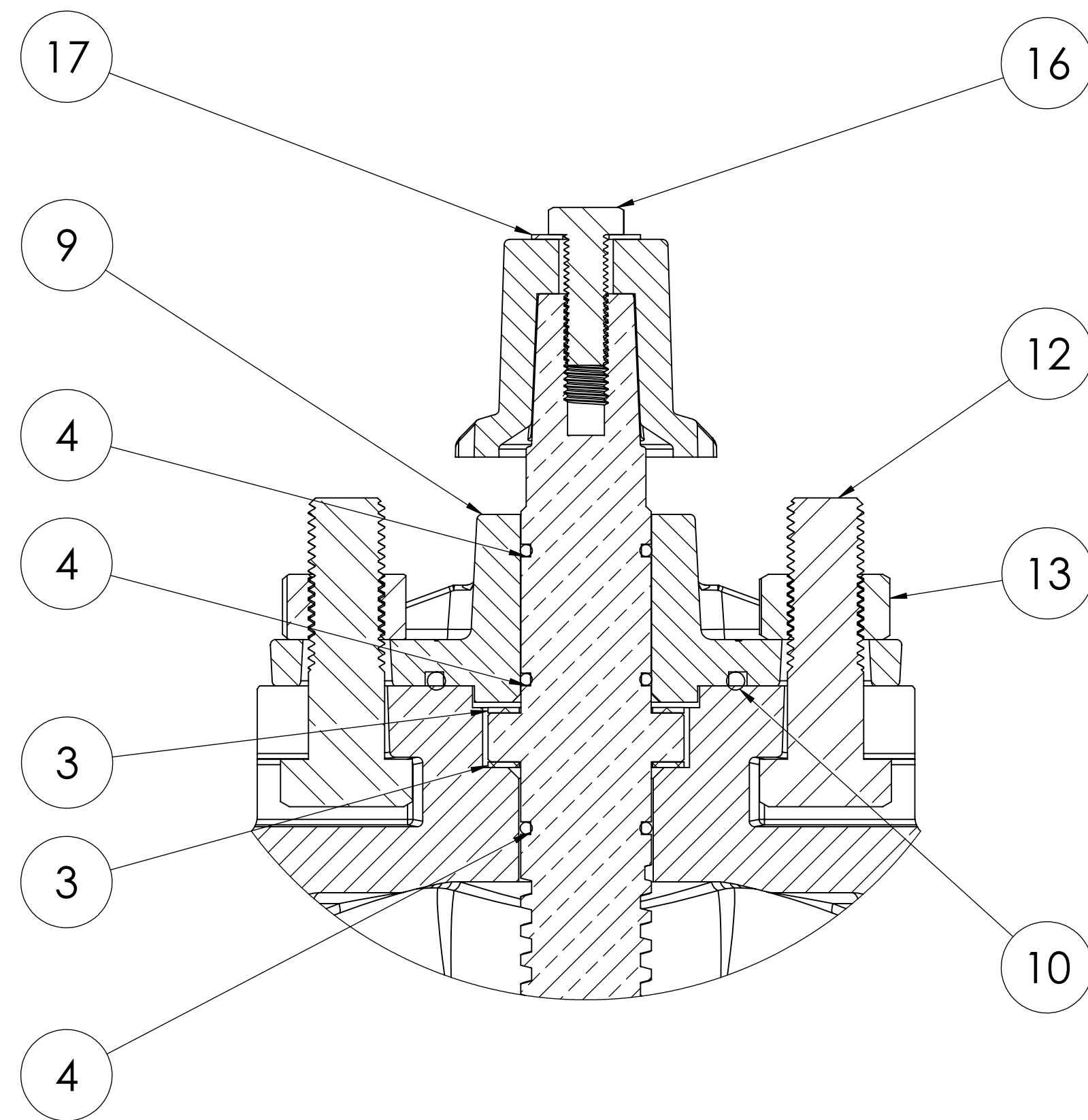
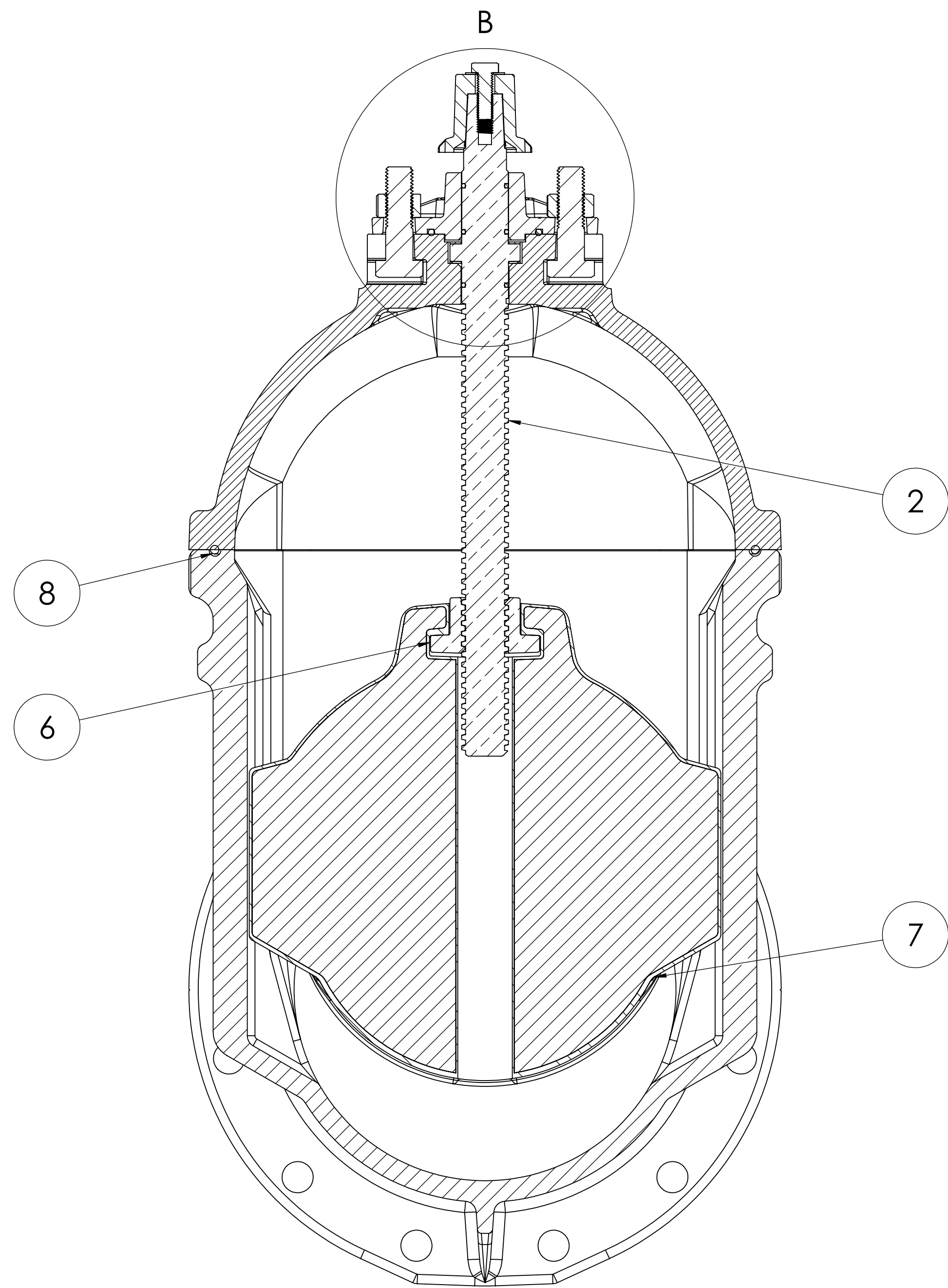
OPERATING NUT WITH INDICATOR POST PLATE



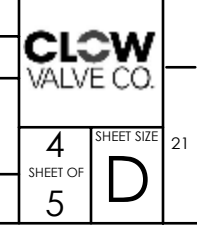
HANDWHEEL WITH O-RING PLATE



THIRD ANGLE PROJECTION. STANDARDS AND DIMENSIONS TO 1/16" AND 1/4". TOLERANCES AS FOLLOWS UNLESS OTHERWISE SPECIFIED.		PROPERTY OF MCWANE CORPORATION. ALL DIMENSIONS AND IDENTIFICATION ARE PROPRIETARY TO MCWANE CORPORATION AND ITS SUBSIDIARIES. REPRODUCTION OR USE OF THIS DRAWING WITHOUT THE WRITTEN CONSENT OF MCWANE CORPORATION IS PROHIBITED. ALL RIGHTS RESERVED.		DATE: 12/3/2020	CHECKED: []	DESIGNED BY: []	REVISION: []
CASTING TOLERANCES:		MACHINED DIMENSIONS:		ESTIMATED WEIGHT:		DESCRIPTION:	
1/4":	± 0.005	DECIMALS:	± 0.005	LBS.		12" C509 NRS RESILIENT WEDGE	
1/8":	± 0.004	FRACTIONS:	± 0.004	3		GATE VALVE	
1/16":	± 0.003	ANGLES:	± 1'	5		D	
1/32":	± 0.002	RADIUS:	± 0.002	1:5		Solidworks 2018 SP2	
1/64":	± 0.001	SURFACE FINISH:	125 μin	[]		[]	
1/8":	± 0.001	RAA:	1/8"	[]		[]	
MIN RADIUS:	1/8"	MIN DRAFT:	2°	[]		[]	



THIRD ANGLE PROJECTION. STANDARDS: ANSI/ASME Y14.10, Y14.1, AND Y14.41. TOLERANCES AS FOLLOWS UNLESS OTHERWISE SPECIFIED.		PROPERTY OF MCWANE CORPORATION. ALL MODELS AND IDENTIFI- CATION ARE PROPRIETARY TO MCWANE CORPORATION AND ITS SUBSIDIARIES. DISTRIBUTION RESTRICTED TO PURCHASERS OF OTHERWISE ARRANGED. ALL RIGHTS RESERVED.		REVISION D
CASTING TOLERANCES: 0-4": ± 0.005 4-8": ± 0.004 8-12": ± 0.003 12-18": ± 0.002 18-UP": ± 0.001 MIN RADIUS: 1/8" FINISH: Z	MACHINED DIMENSIONS: DECIMALS: ± 0.005 FRACTIONS: ± 1/100 ANGLE: ± 1° SURFACE FINISH: 125 μin RADE: 1/8"	MATERIAL: ESTIMATED WEIGHT:	DESCRIPTION: 12" C509 NRS RESILIENT WEDGE GATE VALVE	SHEET OF 4 5
DRAWN BY: CW	DATE DRAWN: 12/3/2020	CHECKED BY: CW	SCALE: 1:5	SHEET OF 5



<u>ITEM NO.</u>	<u>COMPONENT</u>	<u>QTY.</u>	<u>SIZE</u>	<u>STANDARD MATERIAL</u>	<u>MATERIAL OPTIONS</u>
1	BODY	1		DUCTILE IRON	
2	STEM	1		C86700	C99500 (LOW ZINC), 304 SS, 316 SS
3	THRUST BEARING	2		ACETAL	C26000
4	O-RING	3	#218	EPDM	BUNA-N
5	COVER	1		DUCTILE IRON	
6	STEM NUT	1		C87850	C87610 (LOW ZINC)
7	WEDGE	1		EPDM/DUCTILE IRON	
8	O-RING	1	#455	EPDM	BUNA-N
9	O-RING PLATE	1		DUCTILE IRON	*INDICATOR POST PLATE*
10	O-RING	1	#339	EPDM	BUNA-N
11	OPERATING NUT	1		DUCTILE IRON	C86700
12	CAPSCREW	2	7/8" - 9 X 3"	18-8 SS	316 SS
13	HEX NUT	2	7/8" - 9	18-8 SS	316 SS
14	CAPSCREW	8	5/8" - 11 X 4"	18-8 SS	316 SS
15	HEX NUT	8	5/8" - 11	18-8 SS	316 SS
16	CAPSCREW	1	1/2" - 13 X 1-1/2"	18-8 SS	316 SS
17	WASHER	1	1/2"	18-8 SS	316 SS

VALVES CONFORM WITH THE FOLLOWING STANDARDS

- AWWA C509
- NSF 61
- LOW ZINC BRASS STEM AND STEM NUT AVAILABLE
- 100% DOMESTIC FASTENERS AND ORINGS OPTIONS AVAILABLE
- *OPEN LEFT* (COUNTERCLOCKWISE) AND *OPEN RIGHT* (CLOCKWISE) OPTIONS AVAILABLE
- TURNS TO OPEN FROM FULLY CLOSED: 32
- AWWA MAXIMUM ALLOWABLE CLOSING TORQUE 185 FT-LBS
- OPTIONAL HANDWHEEL CAN BE SUBSTITUTED FOR STANDARD 2" SQUARE OP. NUTS.
 - ****NOTE: STANDARD HANDWHEEL SIZE LISTED OUT IN PARTS LIST.****
- MAXIMUM PRESSURE RATING 250 PSI

D	2317	BLS	11/30/23
C	-	CW	12/22/21
B	-	BLS	08/16/21
A	-	CW	12/3/20
SYM	ECN	DR	DATE

THIRD ANGLE PROJECTION STANDARDS: ANSI/ASME Y14.100, Y14.1, AND Y14.41 TOLERANCES AS FOLLOWS UNLESS OTHERWISE SPECIFIED.		PROPERTY OF MCWANE CORPORATION. ALL DIMENSIONS AND IDENTIFIER DESIGNATION ARE PROPRIETARY TO MCWANE CORPORATION AND ITS SUBSIDIARIES. REPRODUCTION OR USE WITHOUT PERMISSION IS PROHIBITED. OTHERWISE ARRANGED: ALL RIGHTS RESERVED.		DESCRIPTION D
CASTING TOLERANCES	MACHINED DIMENSIONS	ESTIMATED WEIGHT	LBS.	12" C509 NRS RESILIENT WEDGE GATE VALVE
1/4": ± 0.010	DECIMALS: ± 0.005	BY	CW	DATE DRAWN: 12/3/2020
1/2": ± 0.005	FRACTIONS: ± 0.004	CHECKED		
3/4": ± 0.004	ANGLES: ± 1'	DATE		
1": ± 0.003	SURFACE FINISH: 125 μin	SCALE	1:5	Solidworks 2018 SP2
1.5": ± 0.002	RADI: ± 0.001			
2": ± 0.001				