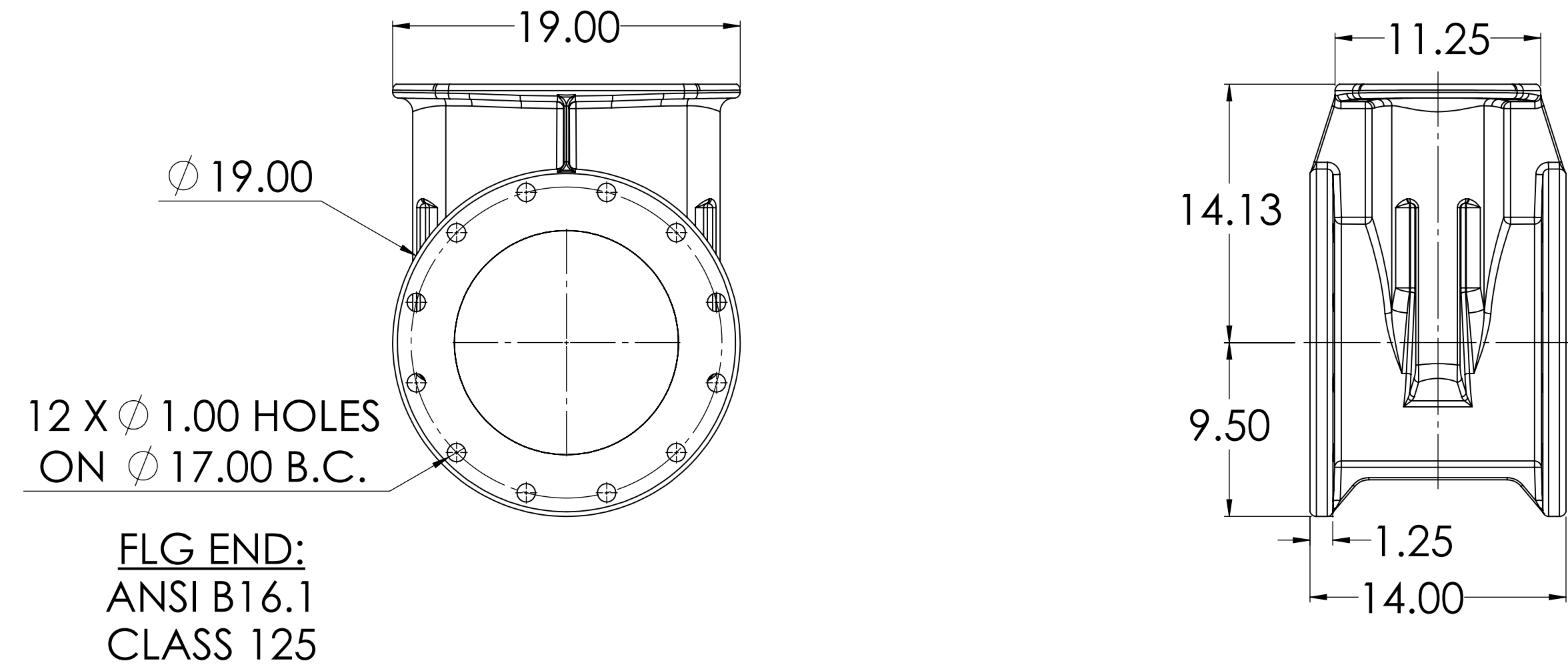
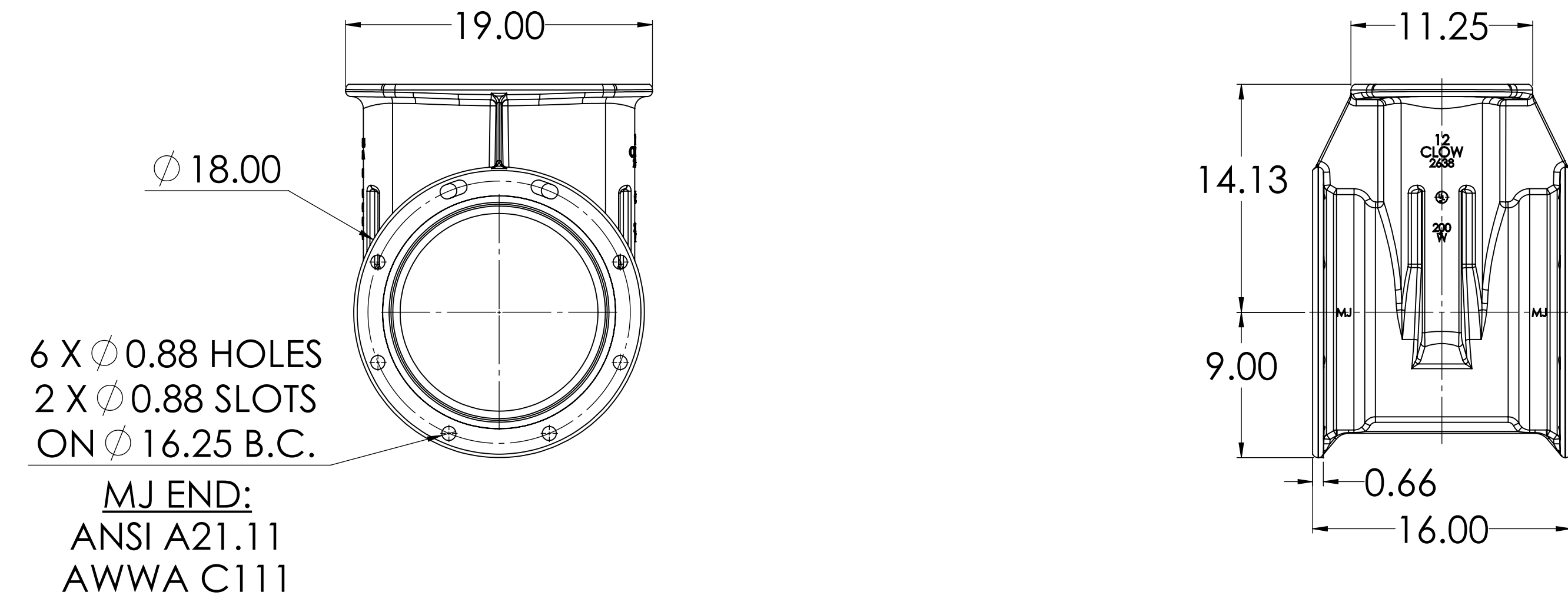


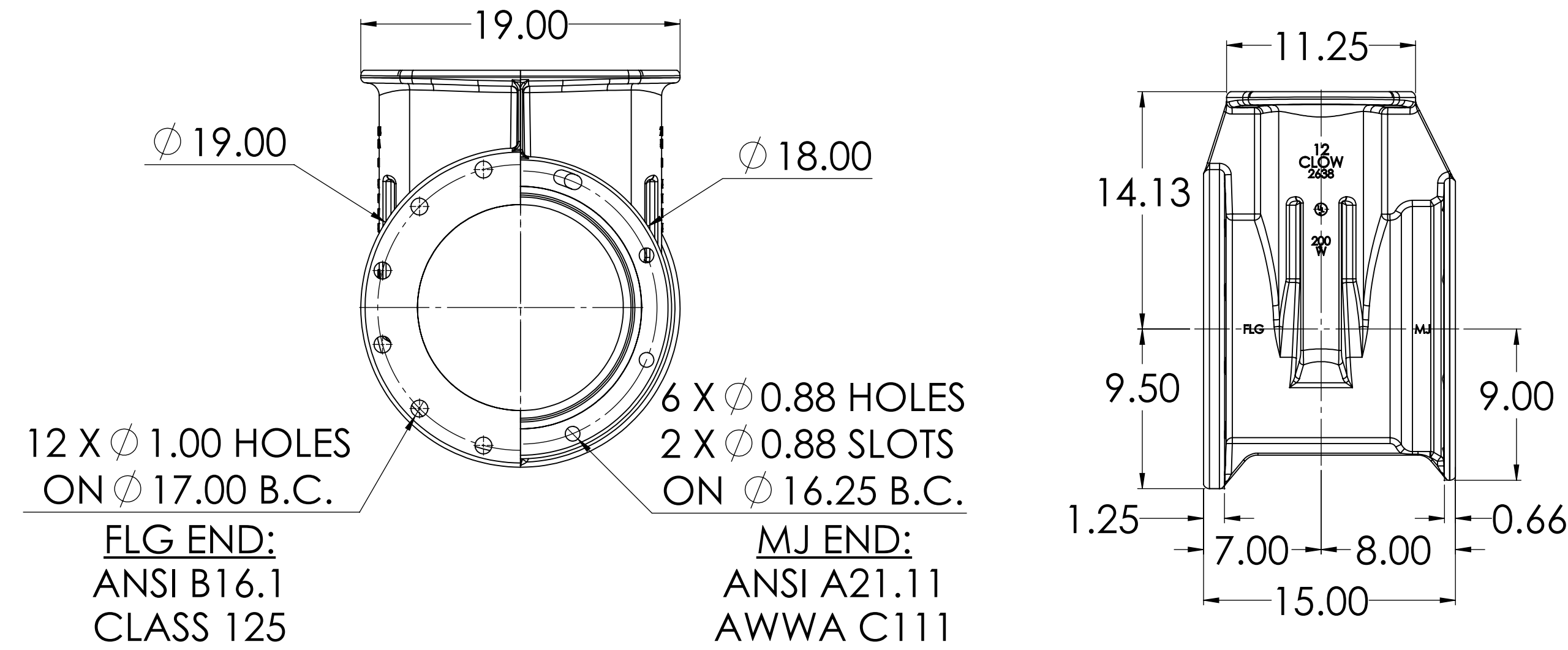
12" C515 FLG X FLG



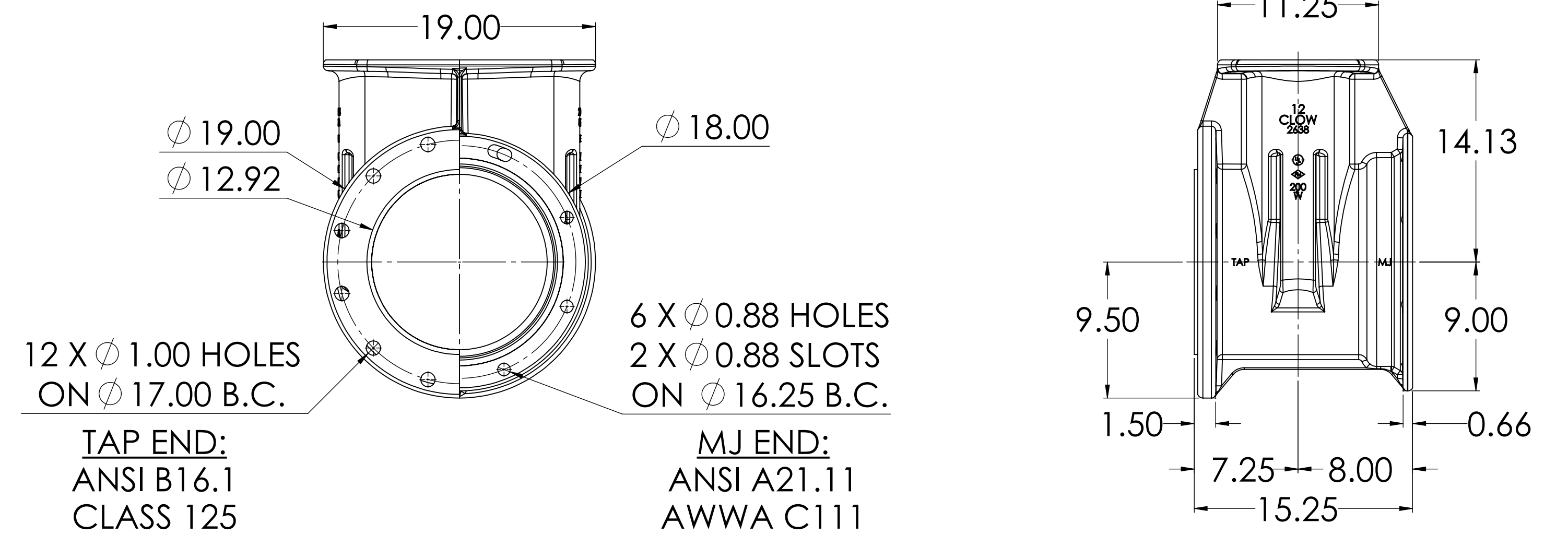
12" C515 MJ X MJ



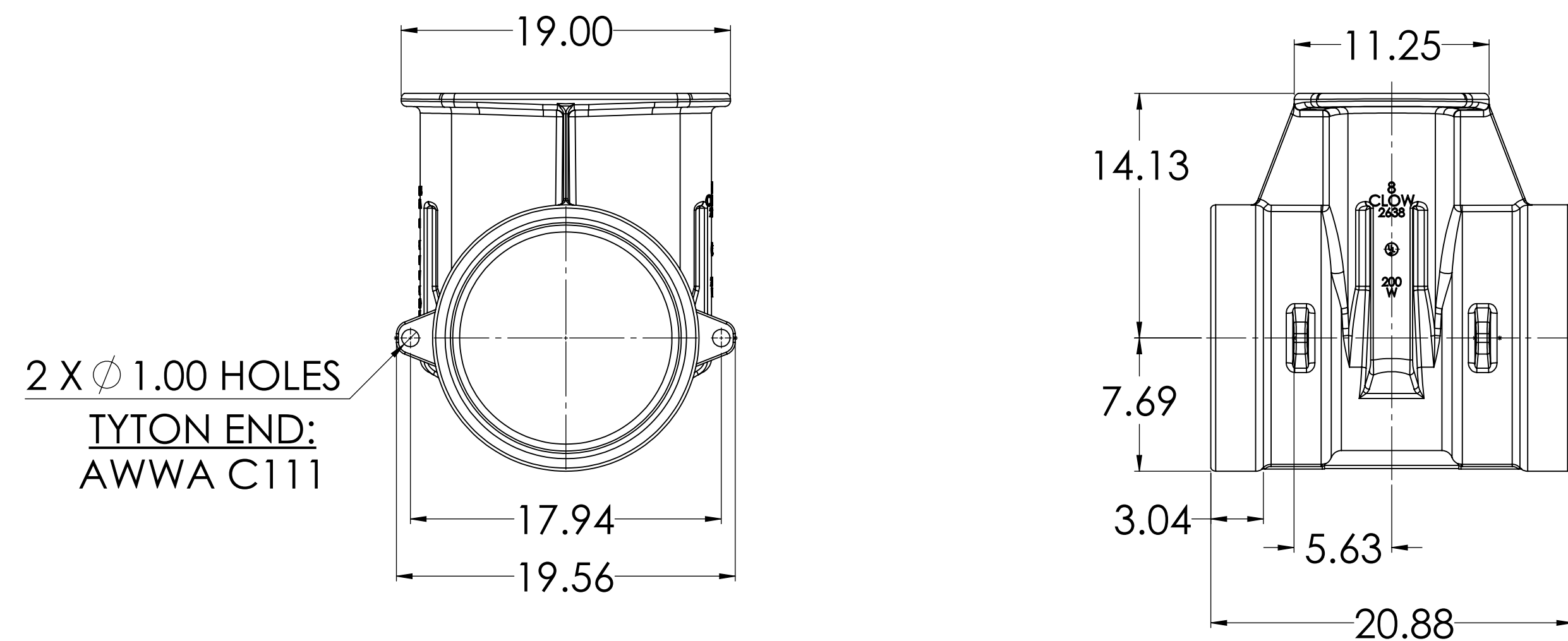
12" C515 FLG X MJ



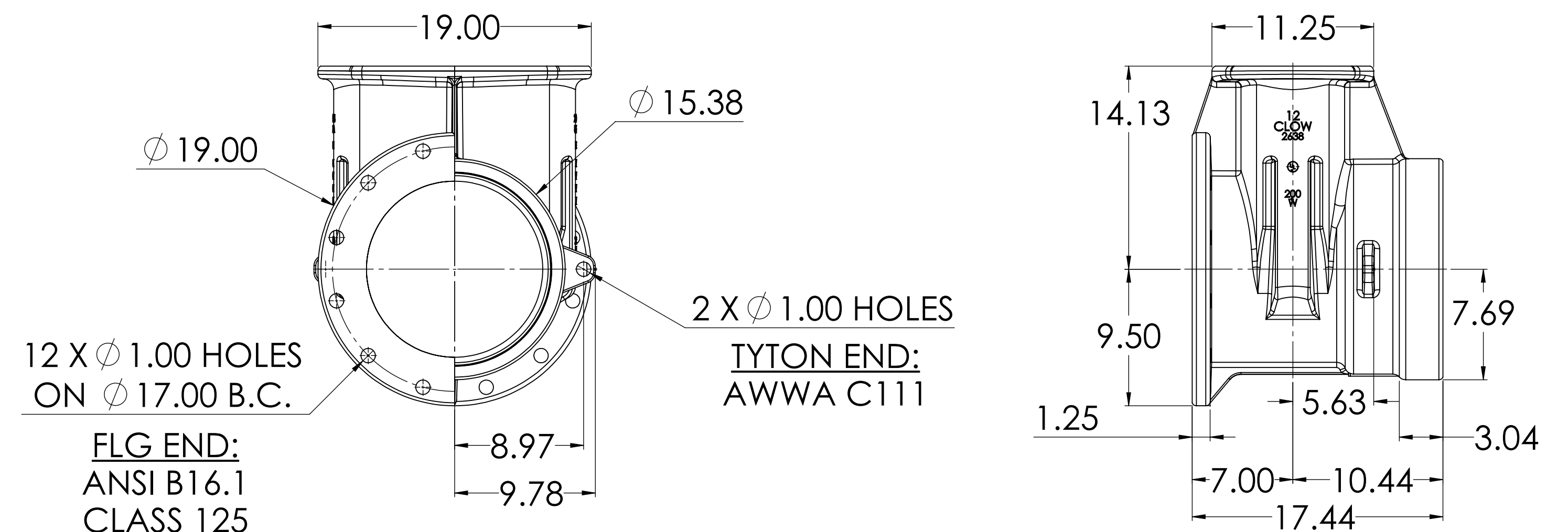
12" C515 MJ X TAP



12" C515 TYTON X TYTON

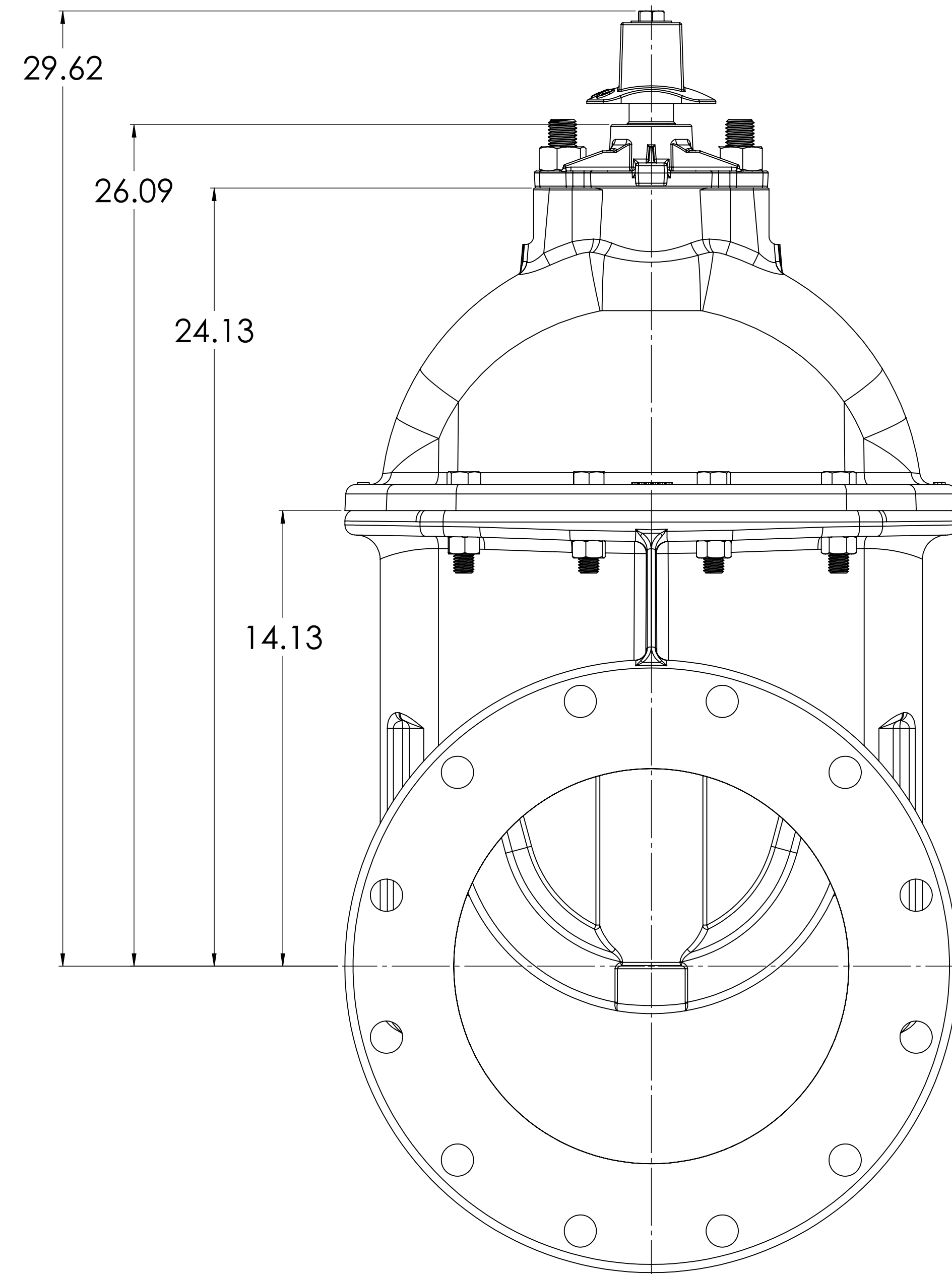


12" C515 FLG X TYTON

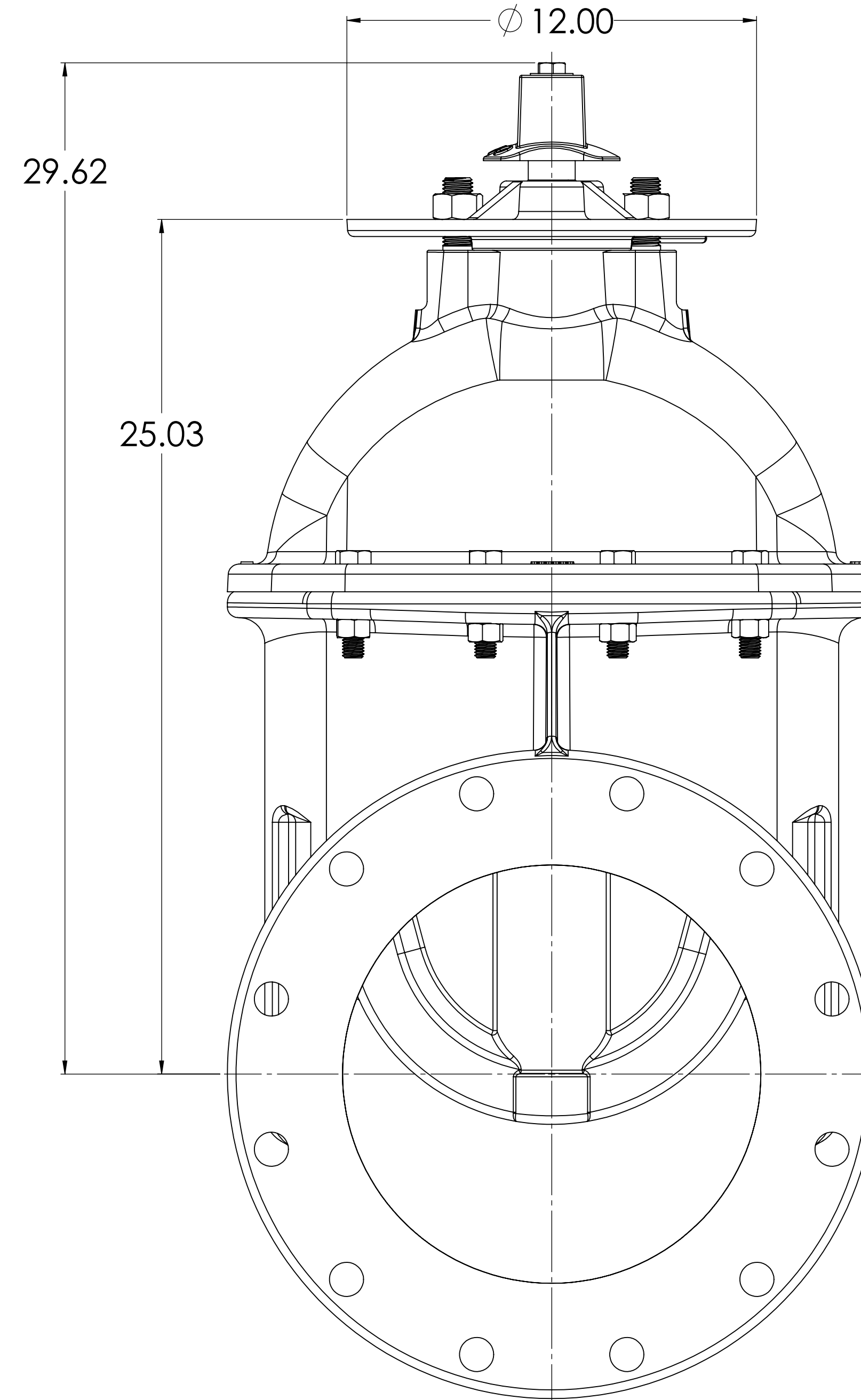


STANDARDS: ANSI/AWWA C111, C115, C118, AND C119.1		PROPERTY OF MCWANE CORPORATION. ALL RIGHTS RESERVED.	
TOLERANCES: UNLESS OTHERWISE SPECIFIED:		ALL DIMENSIONS AND SPECIFICATIONS ARE PROPRIETARY TO MCWANE CORPORATION AND ITS SUBSIDIARIES. DISTRIBUTION IS LIMITED TO THE COMPANY'S CUSTOMERS. ALL RIGHTS RESERVED.	
CASTING TOLERANCES:	MACHINED DIMENSIONS:	MATERIAL: D	
6-8": ± 0.005	DECIMALS: ± 0.005	ESTIMATED WEIGHT: LBS.	
8-12": ± 0.004	FRACTIONS: ± 0.004	DESCRIPTION: 12" C515 NRS RESILIENT WEDGE GATE VALVE	
13-18": ± 0.003	ANGLE: ± 1°	DATE DRAWN: 12/3/2020	
18-UP": ± 0.002	RADIUS: ± 0.002	DRAWN BY: CW	
MIN RADIUS: 1/8"	RAWD: 1/8"	CHECKED BY: []	
MIN DRAFT: 2°		SCALE: 1:5	
		SOLIDWORKS: Solidworks 2018 SP2	

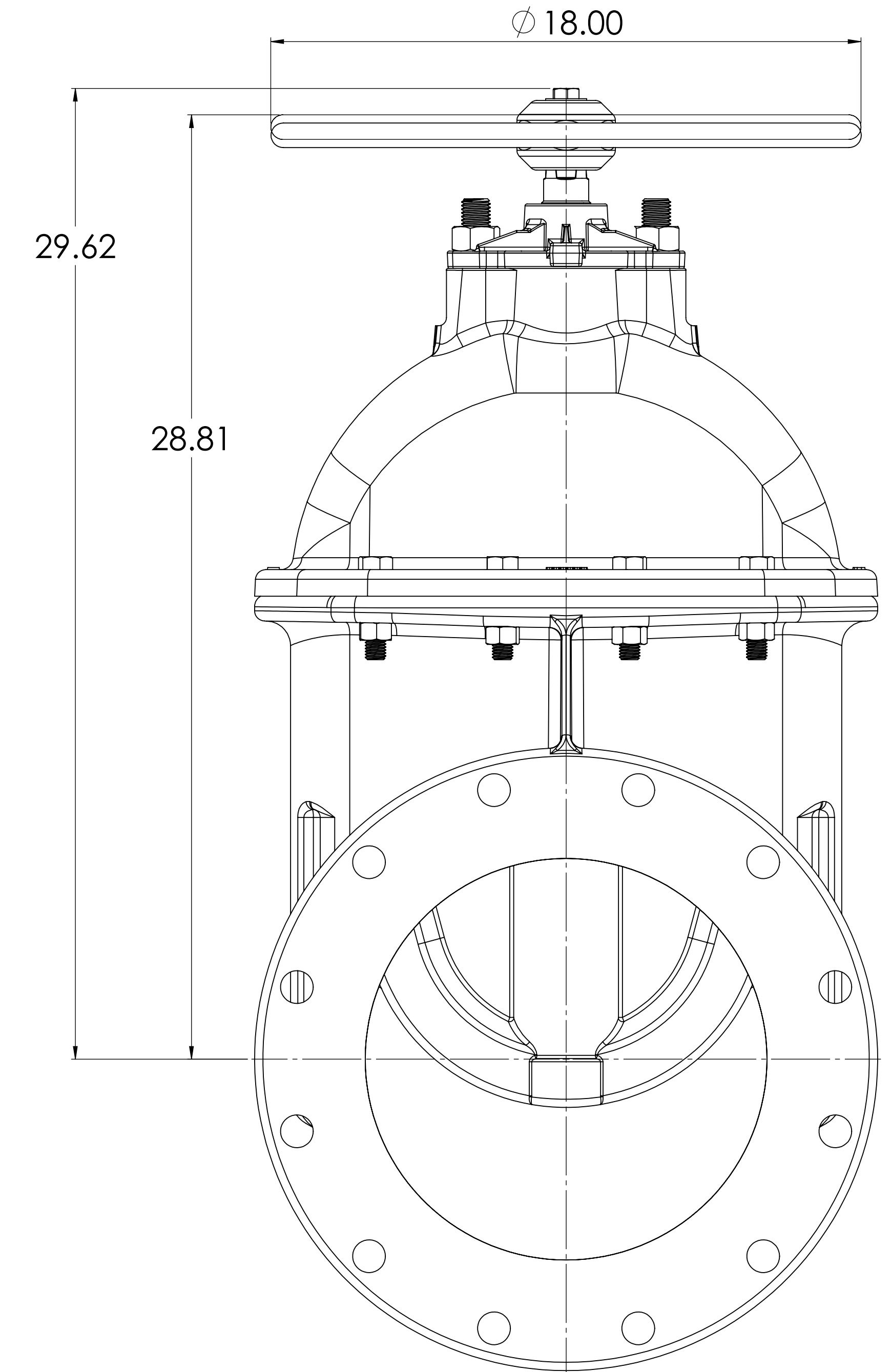
**OPERATING NUT WITH
O-RING PLATE**

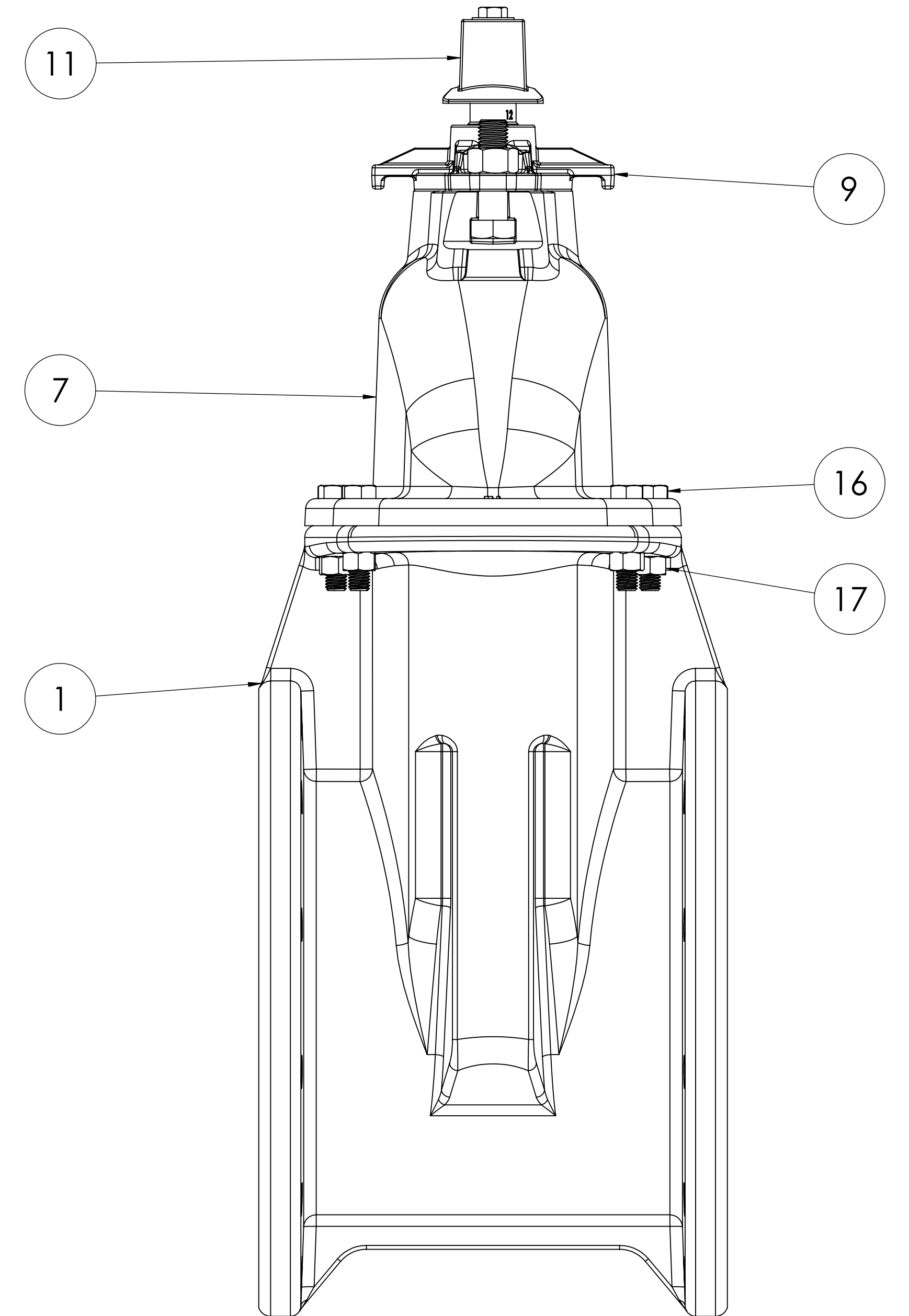
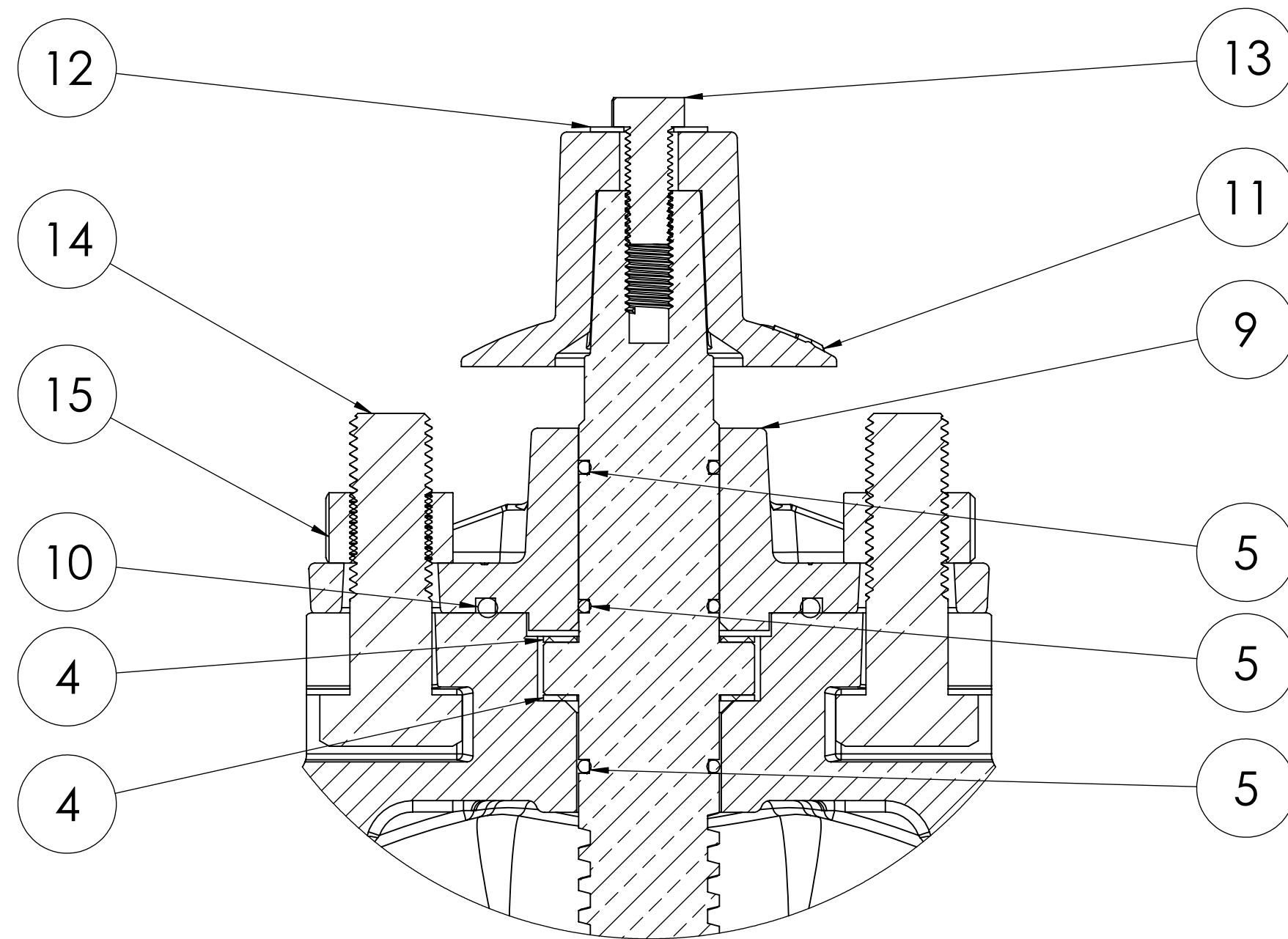
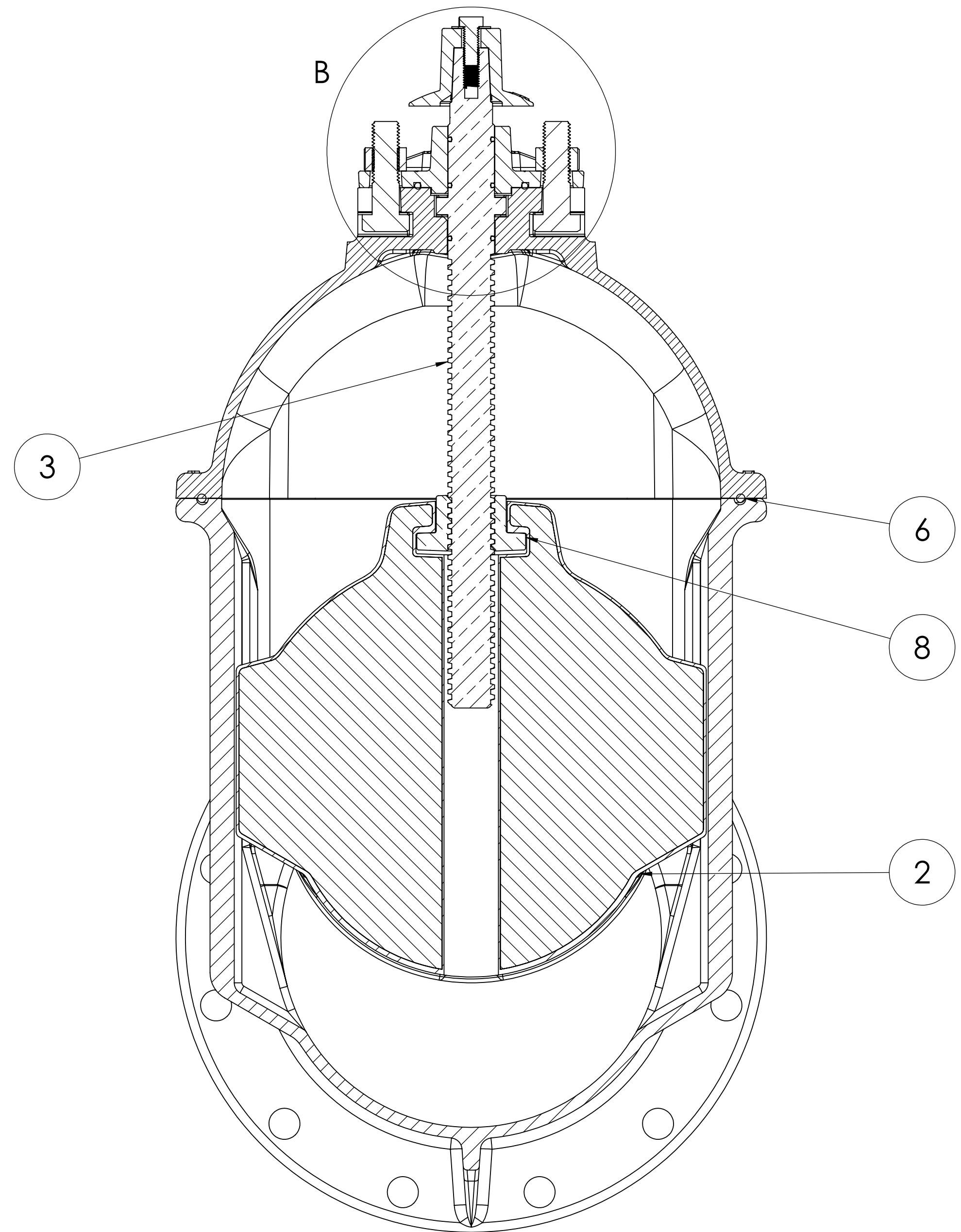


**OPERATING NUT WITH
INDICATOR POST PLATE**



**HANDWHEEL WITH
O-RING PLATE**





STANDARDS: ANSI/ASME B1.1, B1.20.1, AND B1.4.1 TOLERANCES AS FOLLOWS UNLESS OTHERWISE SPECIFIED.		PROPERTY OF MCWANE CORPORATION. ALL DIMENSIONS AND IDENTIFICATION ARE PROPRIETARY TO MCWANE CORPORATION AND ITS SUBSIDIARIES. DIMENSIONS SHOWN IN PARENT UNITS UNLESS OTHERWISE ARRANGED. ALL RIGHTS RESERVED.		REV. NO.	DESCRIPTION
CASTING TOLERANCES		MACHINED DIMENSIONS		DATE	D
0.4":	± 0.02	DECIMALS:	± 0.005	BY	
0.8":	± 0.04	FRACTIONS:	± 0.04	CHECKED	
1.2":	± 0.06	ANGLE:	± 1°	DATE	12/3/2020
1.6":	± 0.08	SURFACE FINISH:	125 μin	SCALE	1:5
2.0":	± 0.10	RADIUS:	± 0.01	SOFTWARE	Solidworks 2018 SP2
MIN RADIUS:	1/8"				
MIN DRAFT:	2°				
ESTIMATED WEIGHT				DESCRIPTION	
LBS.				12" CS15 NRS RESILIENT WEDGE GATE VALVE	
SHEET OF 4				D	

CLW
VALVE CO.

<u>ITEM NO.</u>	<u>COMPONENT</u>	<u>QTY.</u>	<u>SIZE</u>	<u>STANDARD MATERIAL</u>	<u>MATERIAL OPTIONS</u>
1	BODY	1		DUCTILE IRON	
2	WEDGE	1		EPDM/DUCTILE IRON	
3	B-22965	1		C86700	C99500 (LOW ZINC), 304 SS, 316 SS
4	THRUST WASHER	2		ACETAL	
5	O-RING	3	#218	EPDM	BUNA-N
6	O-RING	1	#455	EPDM	BUNA-N
7	COVER	1		DUCTILE IRON	
8	STEM NUT	1		C87850	C87610 (LOW ZINC)
9	O-RING PLATE	1		DUCTILE IRON	**INDICATOR POST PLATE**
10	O-RING	1	#339	EPDM	BUNA-N
11	OPERATING NUT	1		DUCTILE IRON	C86700, **Ø 18" HANDWHEEL
12	WASHER	1	1/2"	18-8 SS	316 SS
13	HEX HEAD CAPSCREW	1	1/2" - 13 X 1-1/4"	18-8 SS	316 SS
14	HEX HEAD CAPSCREW	2	7/8" - 9 X 3"	18-8 SS	316 SS
15	HEX NUT	2	7/8" - 9	18-8 SS	316 SS
16	HEX HEAD CAPSCREW	8	5/8" - 11 X 2-3/4"	18-8 SS	316 SS
17	HEX NUT	8	5/8" - 11	18-8 SS	316 SS

VALVES CONFORM WITH THE FOLLOWING STANDARDS

- AWWA C515
- NSF 61
- LOW ZINC BRASS STEM AND STEM NUT AVAILABLE
- 100% DOMESTIC FASTENERS AND ORINGS OPTIONS AVAILABLE
- *OPEN LEFT (COUNTERCLOCKWISE) AND OPEN RIGHT (CLOCKWISE) OPTIONS AVAILABLE*
- TURNS TO OPEN FROM FULLY CLOSED: 38
- AWWA MAXIMUM ALLOWABLE CLOSING TORQUE 200 FT-LBS
- OPTIONAL HANDWHEEL CAN BE SUBSTITUTED FOR STANDARD 2" SQUARE OP. NUTS.
 - ****NOTE: STANDARD HANDWHEEL SIZE LISTED OUT IN PARTS LIST.****
- MAXIMUM PRESSURE RATING 250 PSI

D	2317	BLS	11/30/23
C	-	CW	12/22/21
B	-	BLS	08/16/21
A	-	CW	12/3/20
SYM	ECN	DR	DATE

THIRD ANGLE PROJECTION
 STANDARDS: ANSI/ASME Y14.1, Y14.2, Y14.3, Y14.4, Y14.5, Y14.6, Y14.7, Y14.8, Y14.9, Y14.10, Y14.11, Y14.12, Y14.13, Y14.14, Y14.15, Y14.16, Y14.17, Y14.18, Y14.19, Y14.20, Y14.21, Y14.22, Y14.23, Y14.24, Y14.25, Y14.26, Y14.27, Y14.28, Y14.29, Y14.30, Y14.31, Y14.32, Y14.33, Y14.34, Y14.35, Y14.36, Y14.37, Y14.38, Y14.39, Y14.40, Y14.41, Y14.42, Y14.43, Y14.44, Y14.45, Y14.46, Y14.47, Y14.48, Y14.49, Y14.50, Y14.51, Y14.52, Y14.53, Y14.54, Y14.55, Y14.56, Y14.57, Y14.58, Y14.59, Y14.60, Y14.61, Y14.62, Y14.63, Y14.64, Y14.65, Y14.66, Y14.67, Y14.68, Y14.69, Y14.70, Y14.71, Y14.72, Y14.73, Y14.74, Y14.75, Y14.76, Y14.77, Y14.78, Y14.79, Y14.80, Y14.81, Y14.82, Y14.83, Y14.84, Y14.85, Y14.86, Y14.87, Y14.88, Y14.89, Y14.90, Y14.91, Y14.92, Y14.93, Y14.94, Y14.95, Y14.96, Y14.97, Y14.98, Y14.99, Y14.100

PROPERTY OF MCWANE CORPORATION. ALL RIGHTS RESERVED.
 ALL DIMENSIONS AND TOLERANCES ARE PROPORTIONAL TO THE SIZE OF THE VALVE. TOLERANCES ARE AS FOLLOWS UNLESS OTHERWISE SPECIFIED.

ESTIMATED WEIGHT: **LBS.**

DESCRIPTION: **12" C515 NRS RESILIENT WEDGE GATE VALVE**

DATE: 12/3/2020

DR: CW

CHECKED: []

SCALE: 1:5

SHEET 4 OF 4

CLW VALVE CO.