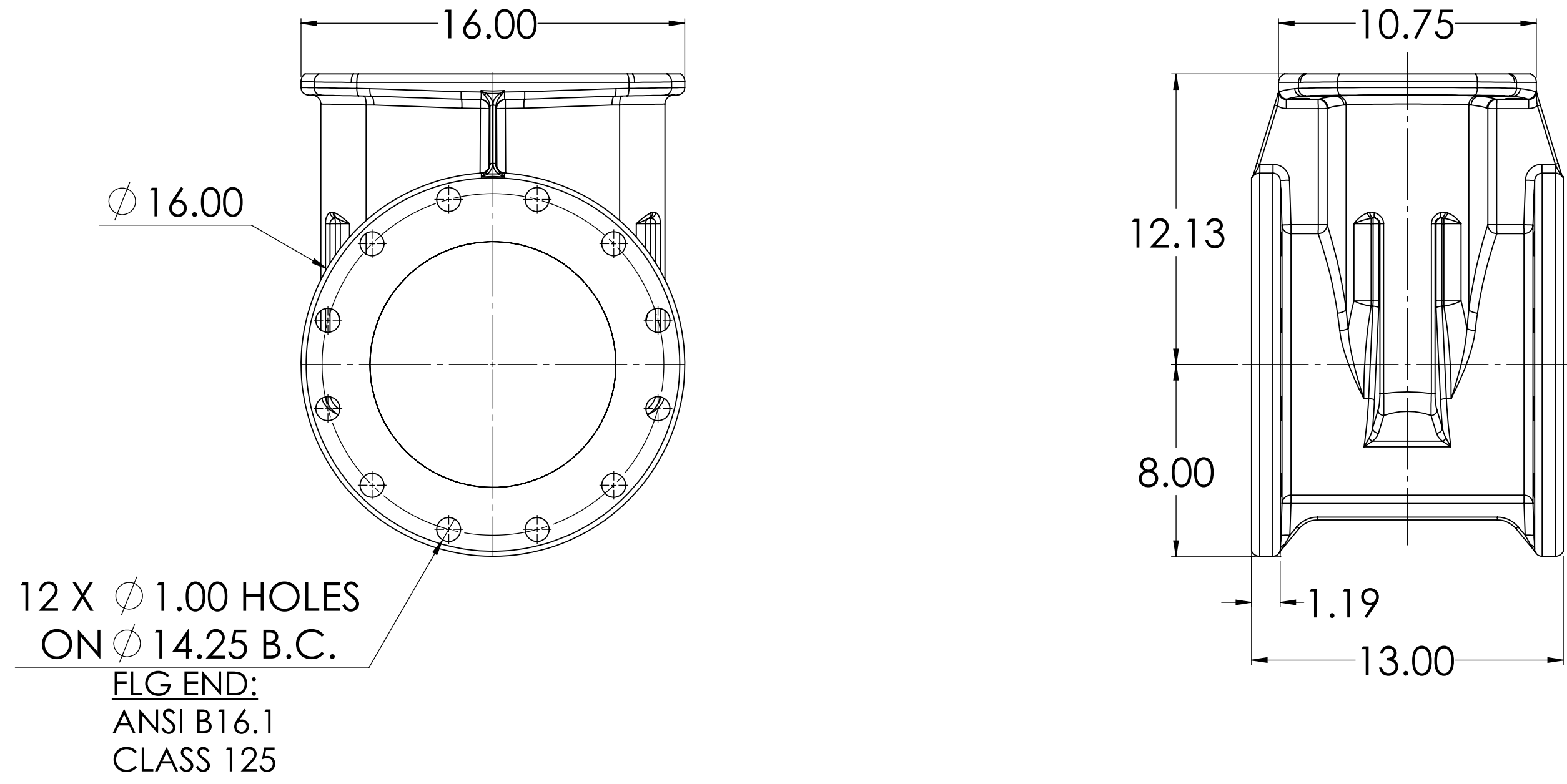
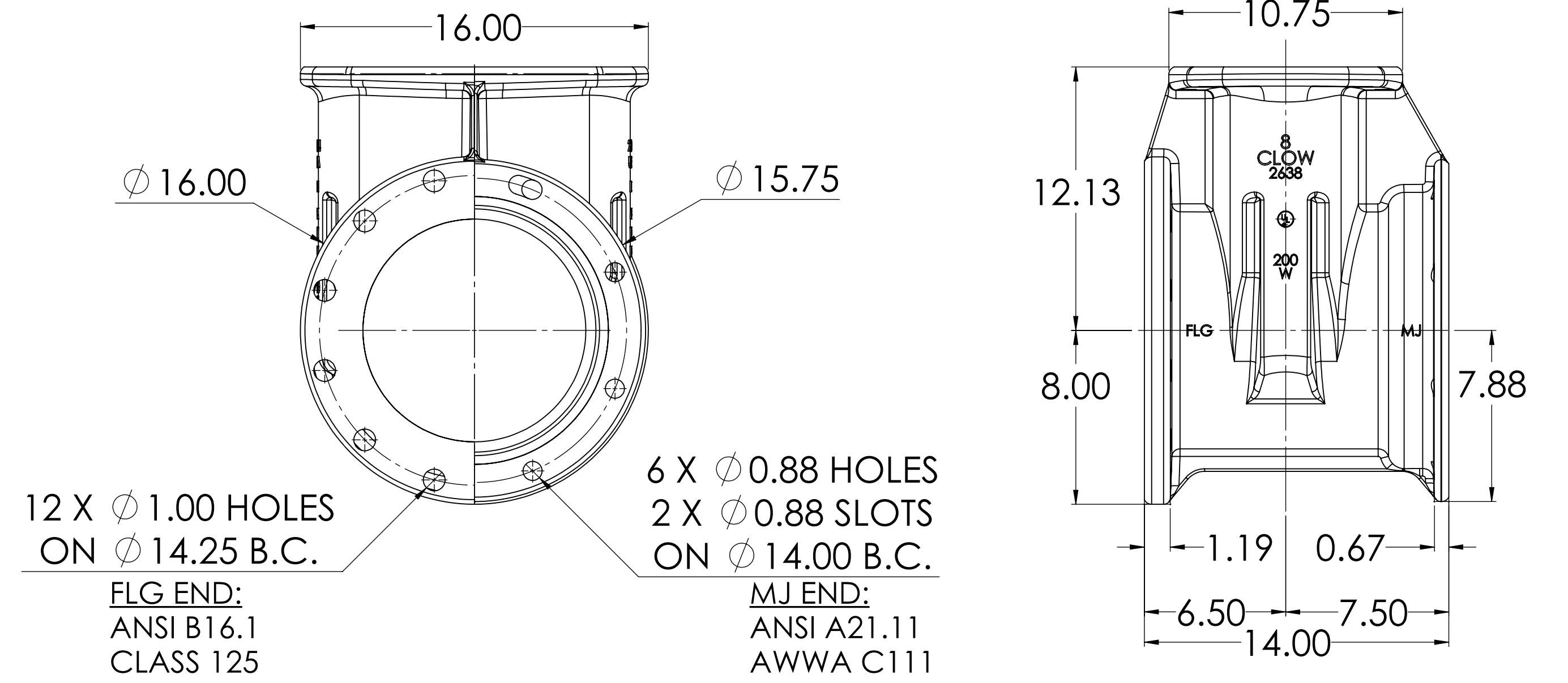


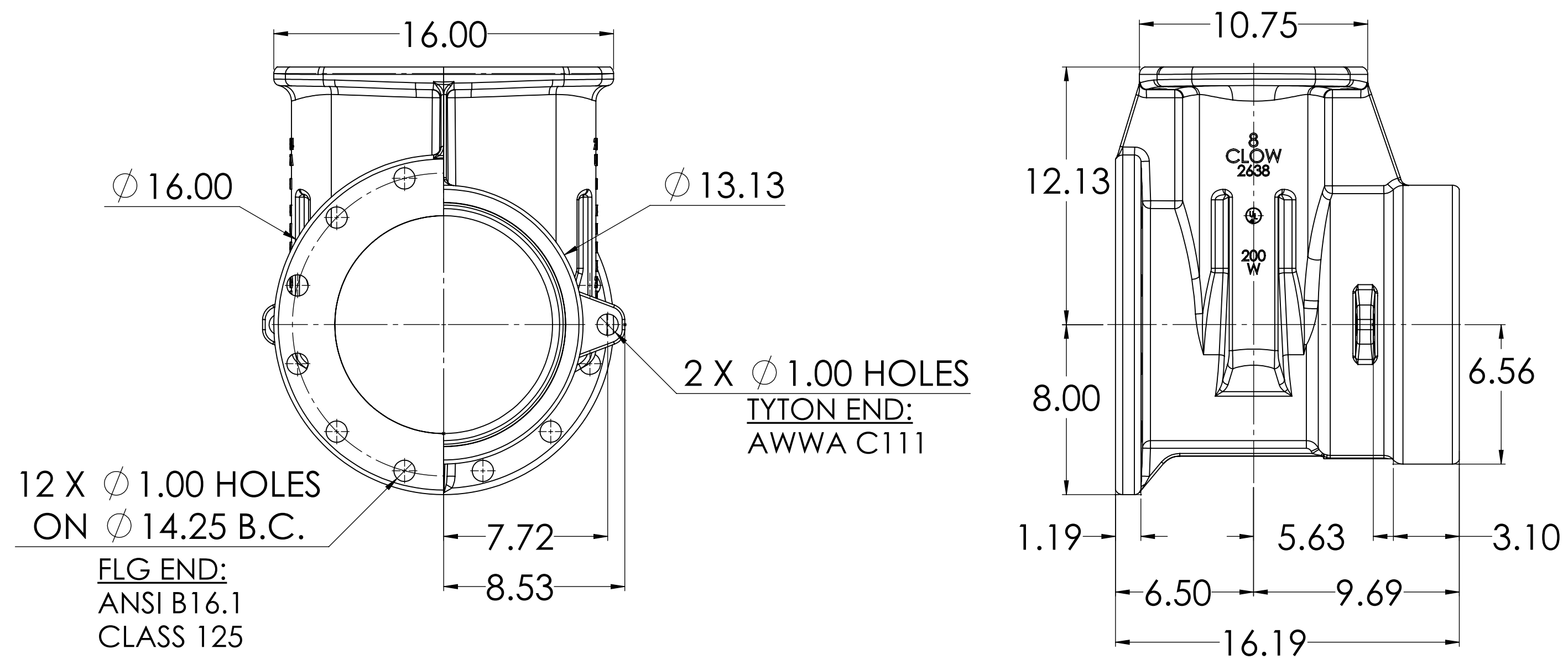
10" C515 FLG X FLG



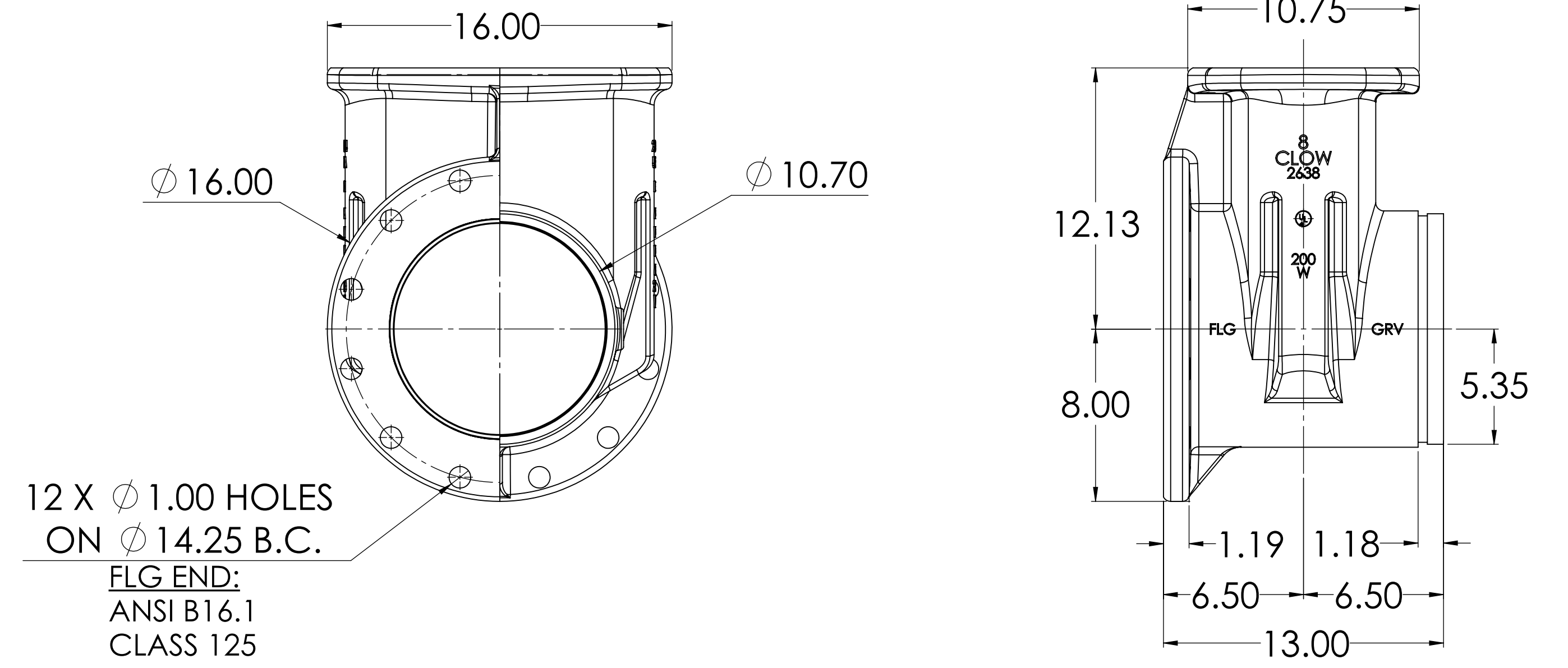
10" C515 FLG X MJ



10" C515 FLG X TYTON

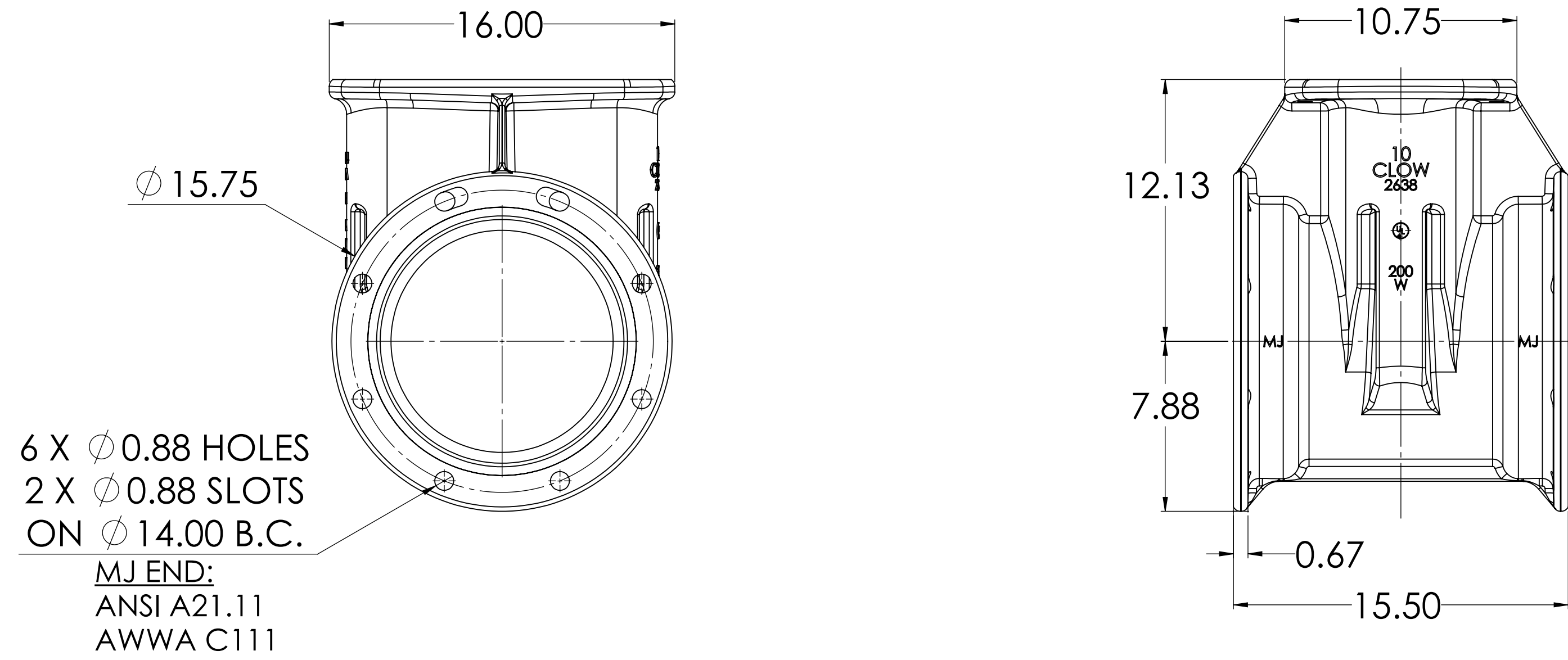


10" C515 FLG X GRVD

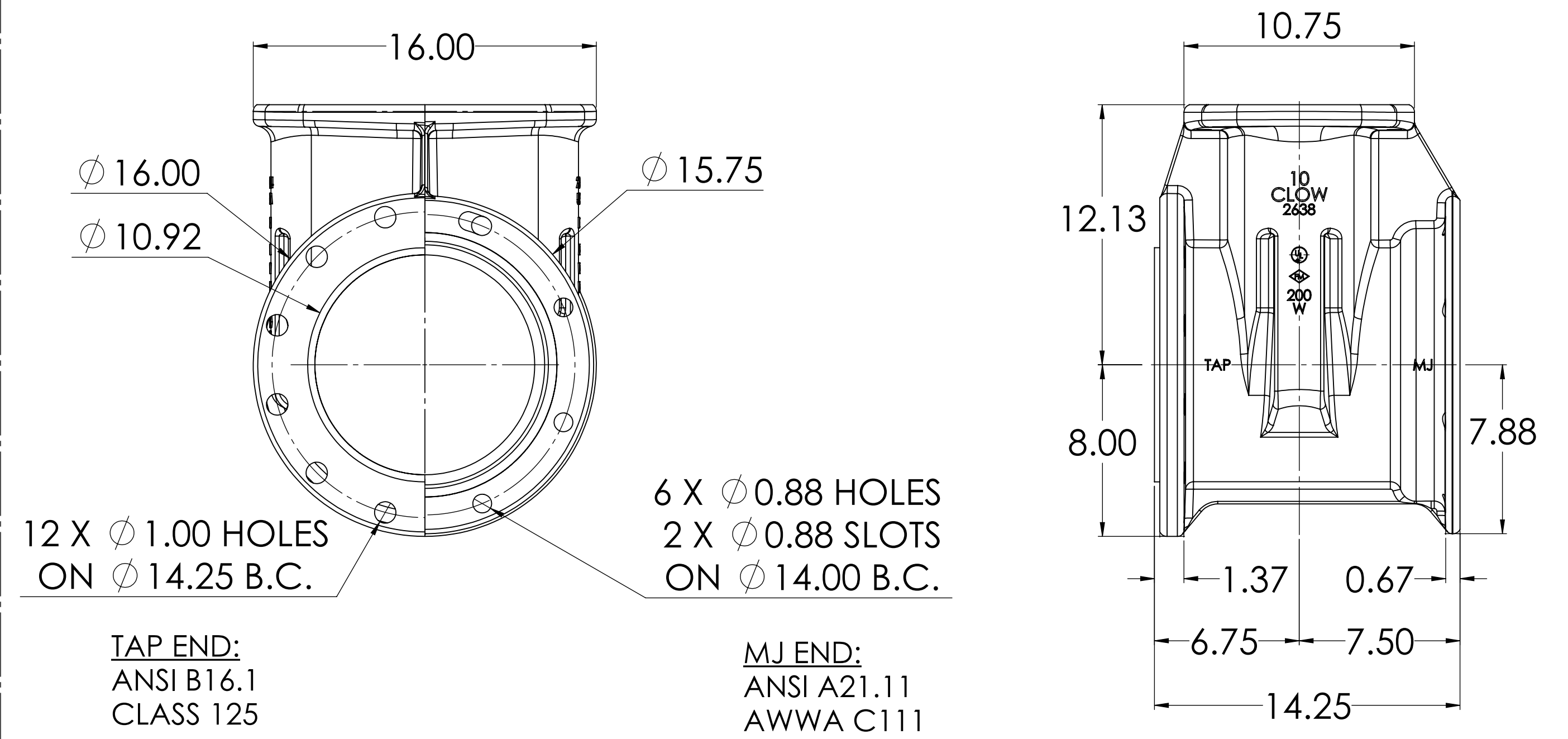


| | | | | | | | | | |
|--|--------|--|---------|------------------------------|--------------|-------------------|------------|--------------|---------------|
| THIRD ANGLE PROJECTION STANDARDS: ANSI/ASME Y14.100, Y14.101, AND Y14.41 TOLERANCES AS FOLLOWS UNLESS OTHERWISE SPECIFIED. | | PROPERTY OF MCWANE CORPORATION. ALL DIMENSIONS AND DIMENSIONAL SPECIFICATIONS ARE PROPRIETARY TO MCWANE CORPORATION AND ITS SUBSIDIARIES. REPRODUCTION OR USE WITHOUT PERMISSION IS PROHIBITED UNLESS OTHERWISE ARRANGED. ALL RIGHTS RESERVED. | | DATE: 12/2/2020 | DRAWN BY: CW | CHECKED BY: | SCALE: 1:5 | SHEET OF 5 | CLW VALVE CO. |
| CASTING TOLERANCES: | | MACHINED DIMENSIONS: | | MATERIAL: | | ESTIMATED WEIGHT: | | DESCRIPTION: | |
| 0.4": | ± 0.02 | DECIMALS: | ± 0.005 | 10" C515 NRS RESILIENT WEDGE | | LBS. | | GATE VALVE | |
| 0.8": | ± 0.04 | FRACTIONS: | ± 0.004 | | | | | | |
| 1.0": | ± 0.05 | ANGLE: | ± 1° | | | | | | |
| 1.5": | ± 0.07 | SURFACE FINISH: | 125 μin | | | | | | |
| 2.0": | ± 0.09 | RADIUS: | 1/8" | | | | | | |
| MIN RADIUS: | 1/8" | | | | | | | | |
| MIN DRAFT: | 2° | | | | | | | | |

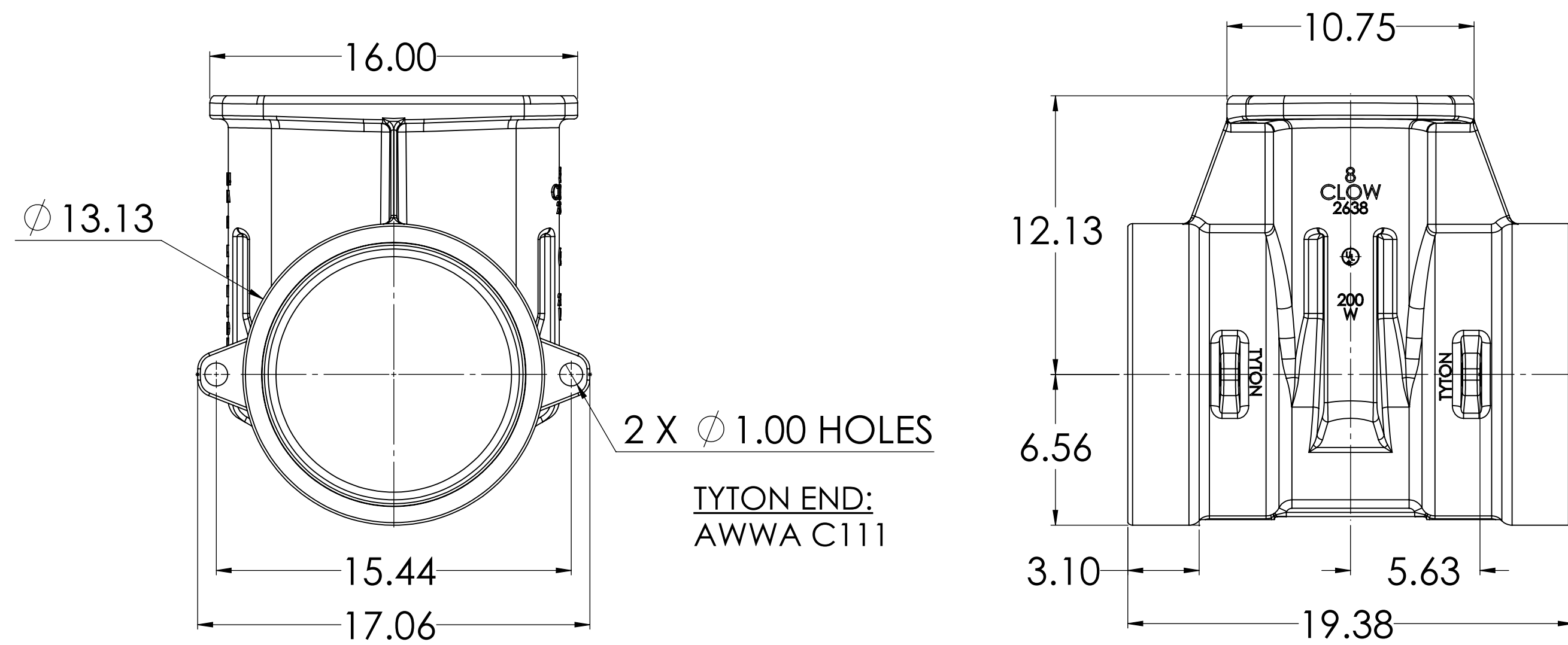
10" C515 MJ X MJ



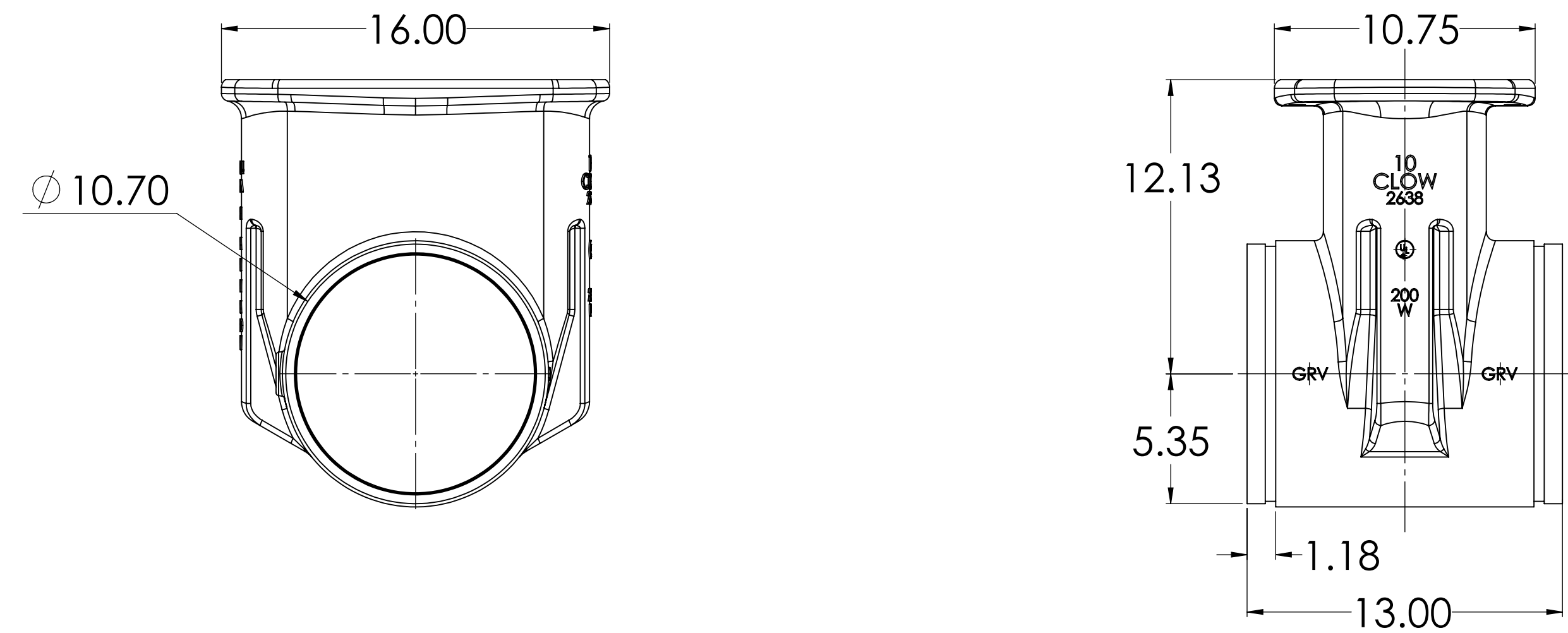
10" C515 MJ X TAP



10" C515 TYTON X TYTON

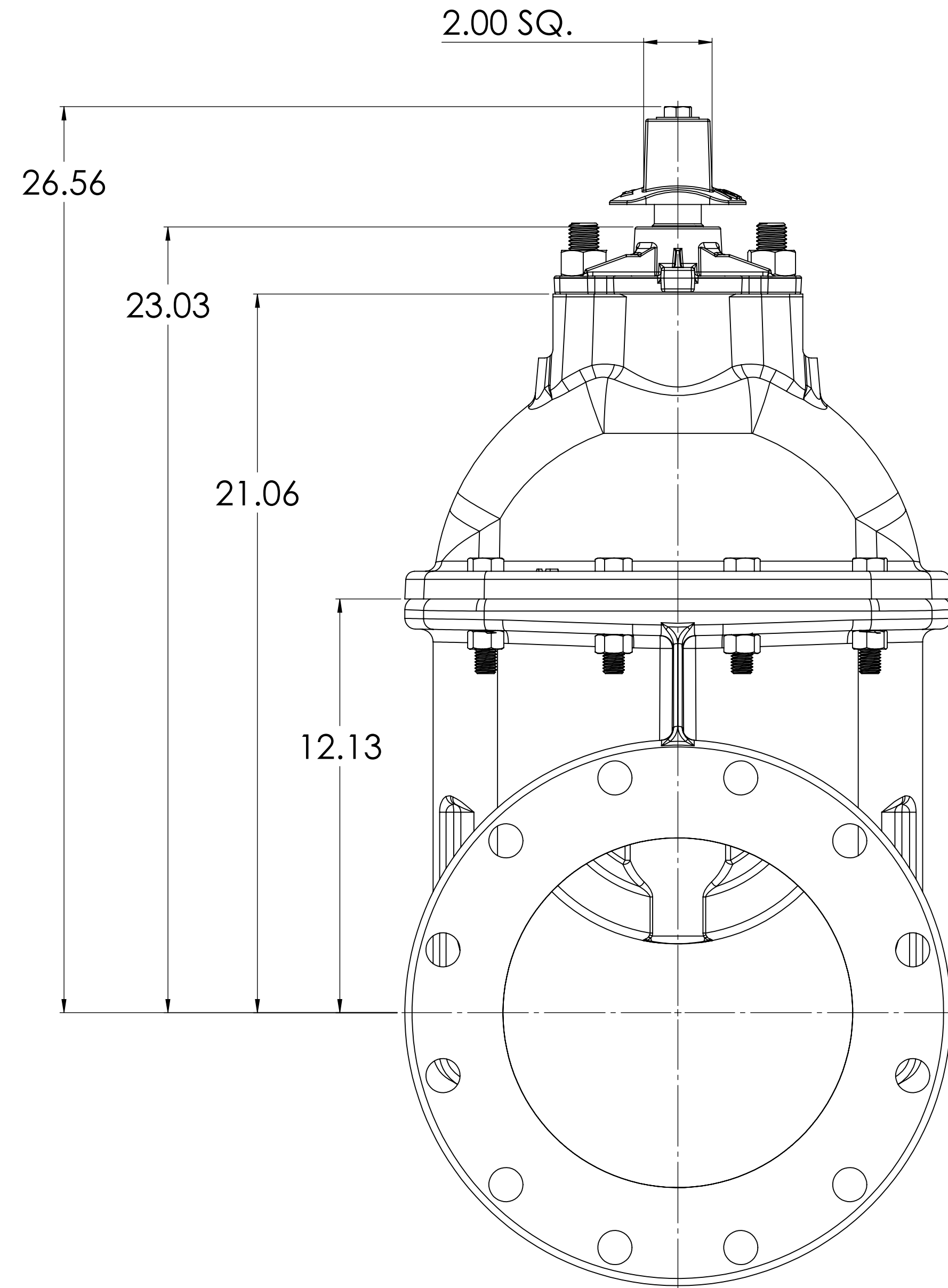


10" C515 GRVD X GRVD

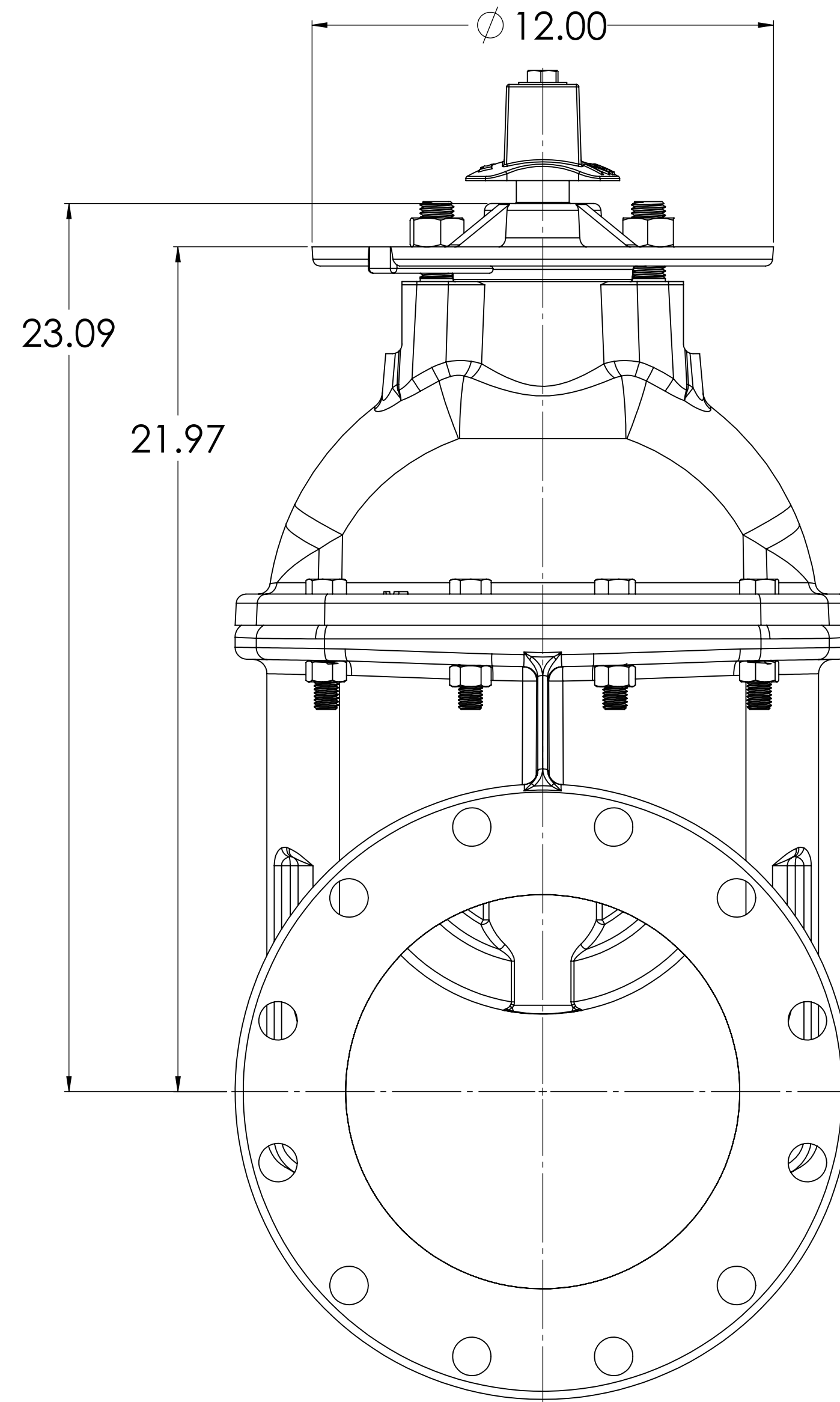


| | | | | | | | | | | | | | | | |
|---|--|---|--|-----------------|--------------|------------------------|------------|-------------|--|------------------------|-----------------|--------------|--------------|-------------------------------|--|
| THIRD ANGLE PROJECTION STANDARDS: ANSI/ASME Y14.100, Y14.1 AND Y14.41 TOLERANCES AS FOLLOWS UNLESS OTHERWISE SPECIFIED. | | PROPERTY OF MCWANE CORPORATION. ALL DIMENSIONS AND DIMENSIONAL TOLERANCES ARE PROPRIETARY TO MCWANE CORPORATION AND ITS SUBSIDIARIES. THIS INFORMATION IS UNCLASSIFIED UNLESS OTHERWISE ARRANGED. ALL RIGHTS RESERVED. | | DATE: 12/2/2020 | DRAWN BY: CW | CHECKED BY: | SCALE: 1:5 | SHEET OF: 5 | DESCRIPTION: 10" C515 NRS RESILIENT WEDGE GATE VALVE | ESTIMATED WEIGHT: LBS. | DATE: 12/2/2020 | DESIGNED BY: | APPROVED BY: | SOFTWARE: Solidworks 2018 SP2 | |
| CASTING TOLERANCES: 0.4": ± 0.005 0.8": ± 0.004 1.0": ± 0.003 1.5": ± 0.002 2.0": ± 0.0015 | | MACHINED DIMENSIONS: DECIMALS: ± 0.005 FRACTIONS: ± 0.004 ANGLE: ± 1° SURFACE FINISH: 125 μin RADIUS: 1/8" | | MATERIAL: D | | ESTIMATED WEIGHT: LBS. | | SHEET OF: 5 | | DATE: 12/2/2020 | | DESIGNED BY: | | SOFTWARE: Solidworks 2018 SP2 | |

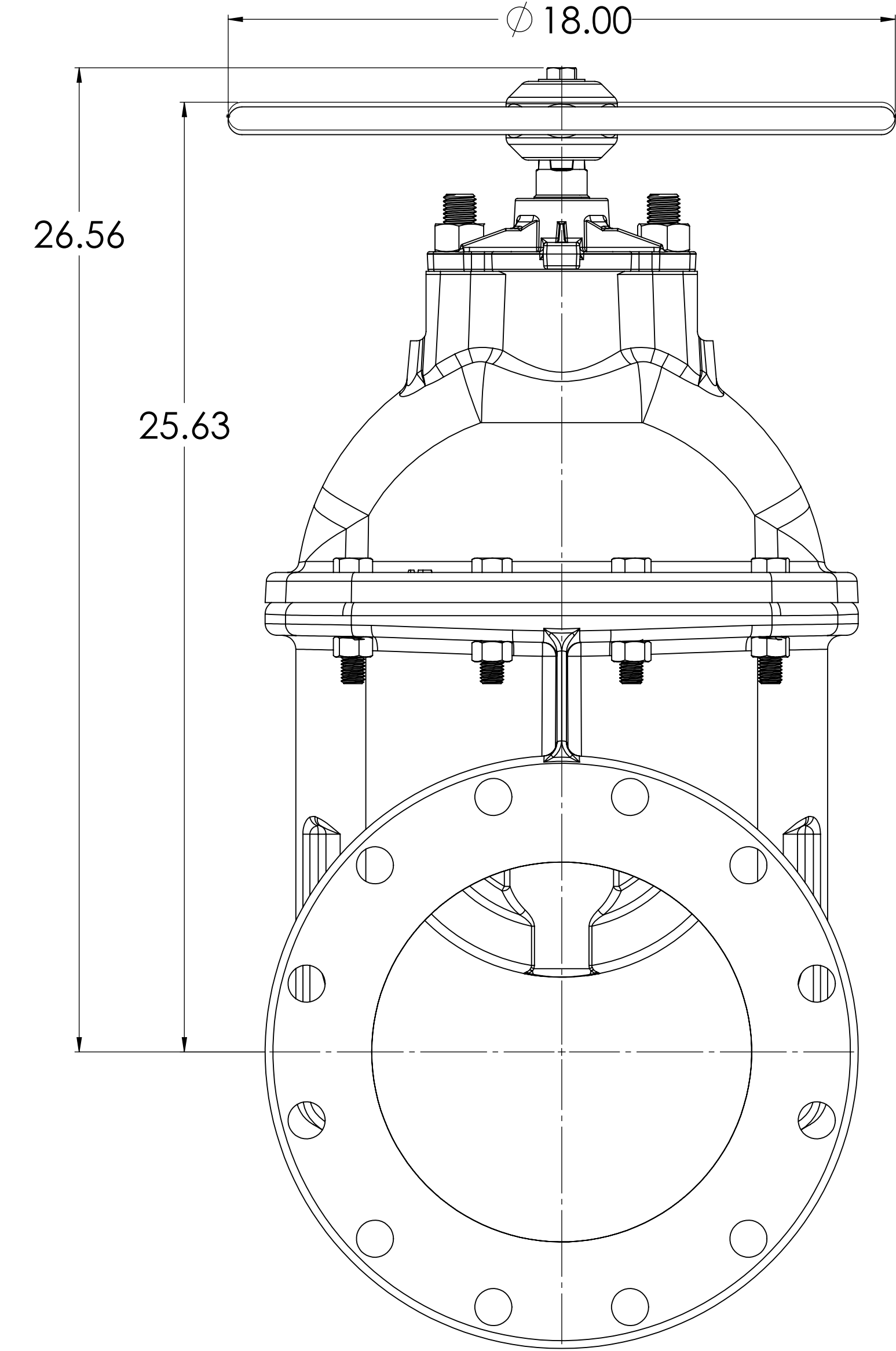
OPERATING NUT WITH O-RING PLATE



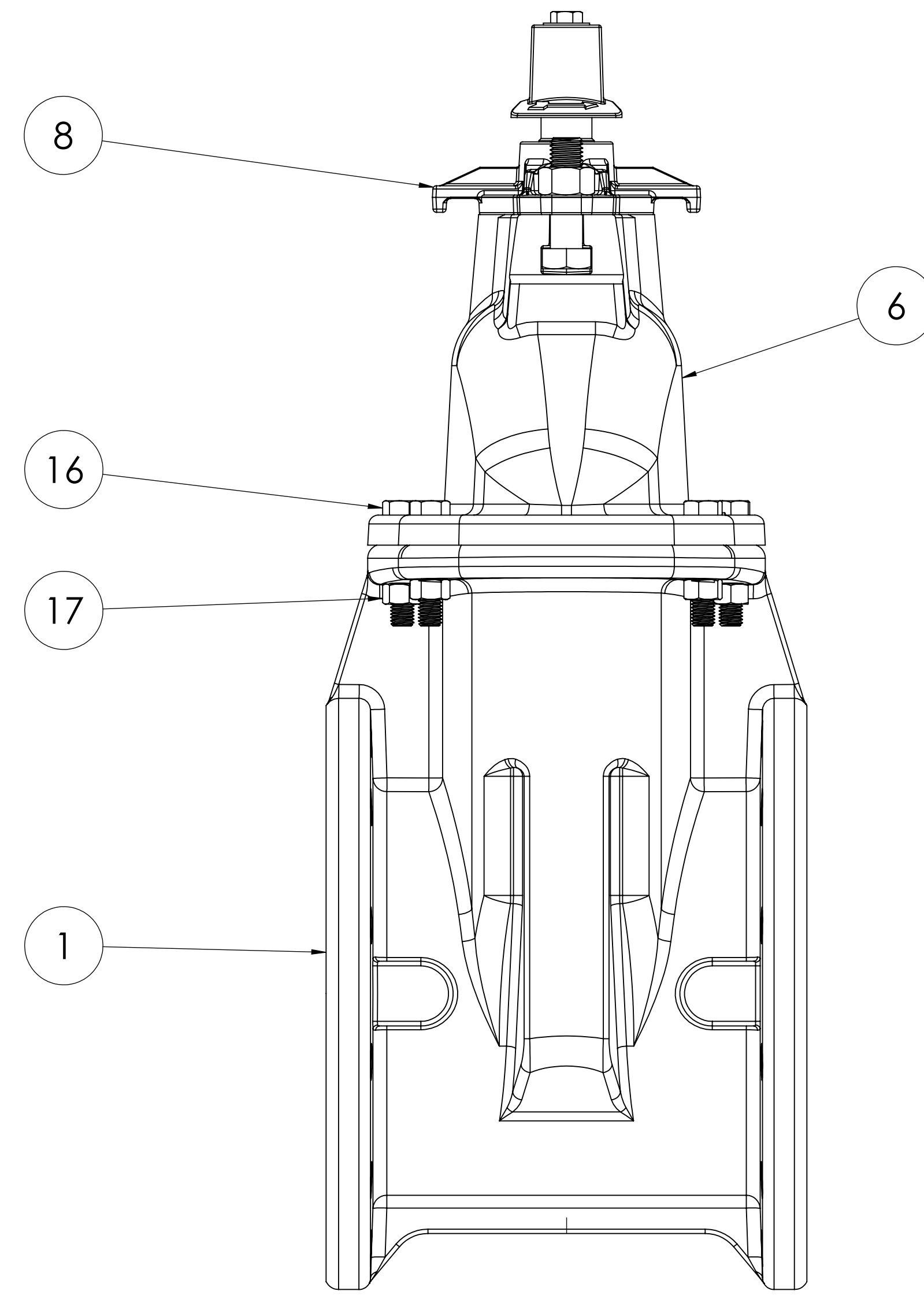
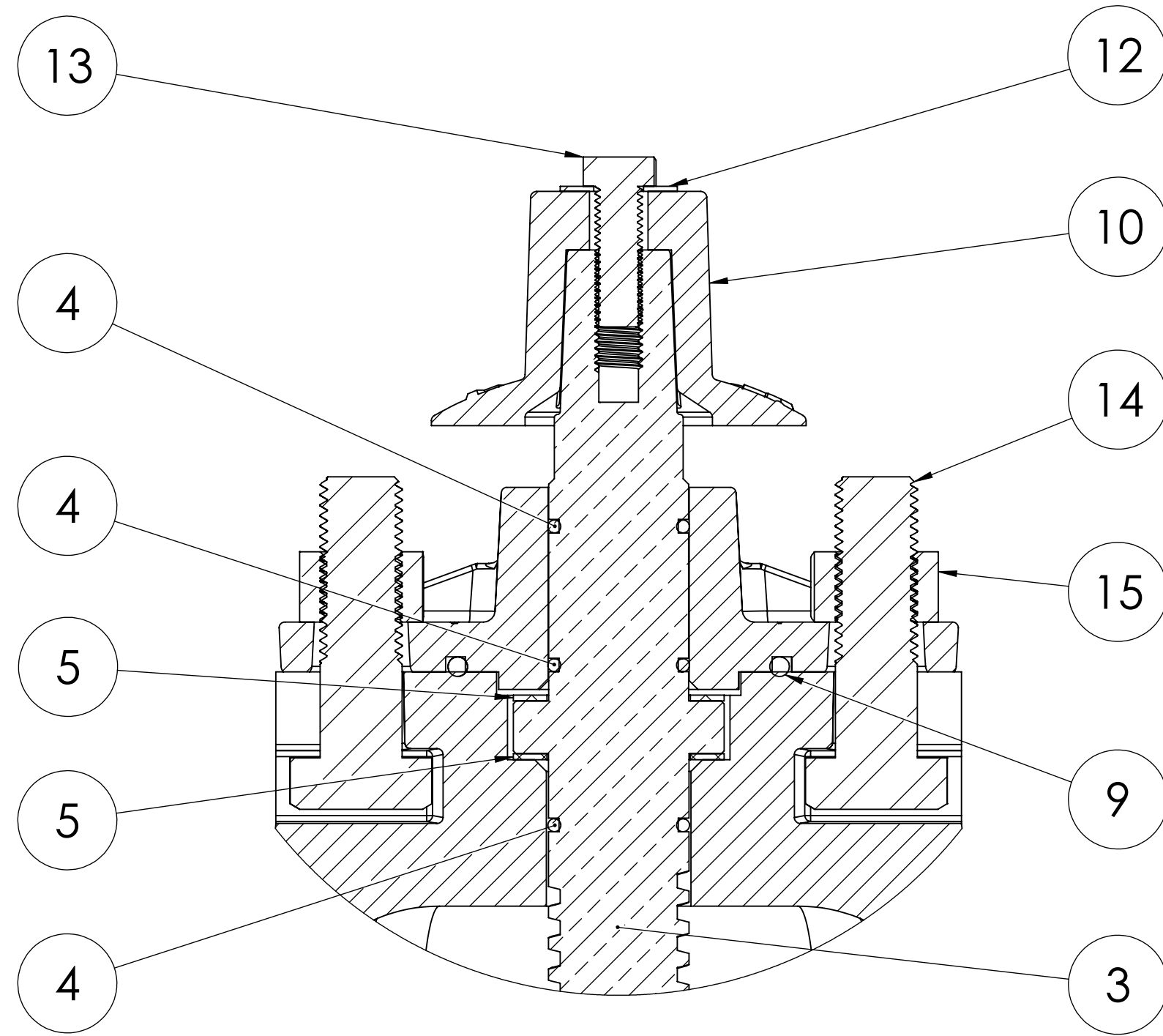
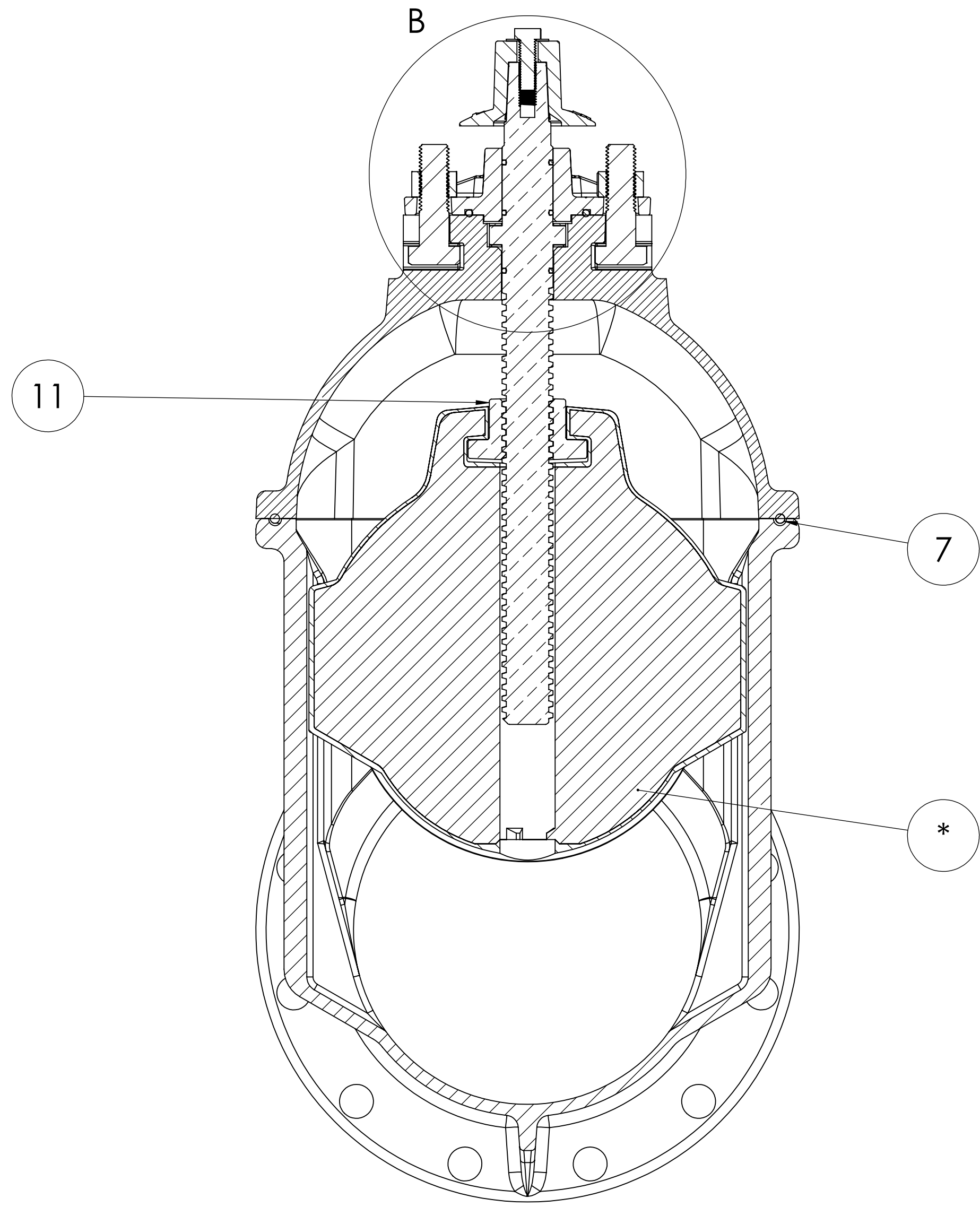
OPERATING NUT WITH INDICATOR POST PLATE



HANDWHEEL WITH O-RING PLATE



| | | | | | | | | | |
|---|----------------|---|-----------------|--------------------------|--------------|--------------|------------|---|---------------|
| THIRD ANGLE PROJECTION. STANDARDS: ANSI/ASME Y14.100, Y14.1, AND Y14.41. TOLERANCES: AS FOLLOWS UNLESS OTHERWISE SPECIFIED. | | PROPERTY OF MCWANE CORPORATION. ALL DIMENSIONS AND IDENTIFIERS ARE PROPRIETARY TO MCWANE CORPORATION AND ITS SUBSIDIARIES. REPRODUCTION OR TRANSMISSION OF THIS DOCUMENT IS PROHIBITED WITHOUT THE WRITTEN PERMISSION OF MCWANE CORPORATION. ALL RIGHTS RESERVED. | | DATE: 12/2/2020 | DRAWN BY: CW | CHECKED BY: | SCALE: 1:5 | SHEET OF: 5 | CLW VALVE CO. |
| CASTING TOLERANCES: | | MATCHED DIMENSIONS: | | MATERIAL: | | DESCRIPTION: | | 10" CS15 NRS RESILIENT WEDGE GATE VALVE | |
| 0.4": ± 0.005 | 0.8": ± 0.005 | 1.0": ± 0.005 | 1.5": ± 0.005 | ESTIMATED WEIGHT: 3 LBS. | | SHEET OF: 5 | | D | |
| 2.0": ± 0.005 | 3.0": ± 0.005 | 4.0": ± 0.005 | 5.0": ± 0.005 | DATE: 12/2/2020 | | SHEET OF: 5 | | Solidworks 2018 SP2 | |
| 6.0": ± 0.005 | 8.0": ± 0.005 | 10.0": ± 0.005 | 12.0": ± 0.005 | DATE: 12/2/2020 | | SHEET OF: 5 | | Solidworks 2018 SP2 | |
| 14.0": ± 0.005 | 16.0": ± 0.005 | 18.0": ± 0.005 | 20.0": ± 0.005 | DATE: 12/2/2020 | | SHEET OF: 5 | | Solidworks 2018 SP2 | |
| 22.0": ± 0.005 | 24.0": ± 0.005 | 26.0": ± 0.005 | 28.0": ± 0.005 | DATE: 12/2/2020 | | SHEET OF: 5 | | Solidworks 2018 SP2 | |
| 30.0": ± 0.005 | 32.0": ± 0.005 | 34.0": ± 0.005 | 36.0": ± 0.005 | DATE: 12/2/2020 | | SHEET OF: 5 | | Solidworks 2018 SP2 | |
| 38.0": ± 0.005 | 40.0": ± 0.005 | 42.0": ± 0.005 | 44.0": ± 0.005 | DATE: 12/2/2020 | | SHEET OF: 5 | | Solidworks 2018 SP2 | |
| 46.0": ± 0.005 | 48.0": ± 0.005 | 50.0": ± 0.005 | 52.0": ± 0.005 | DATE: 12/2/2020 | | SHEET OF: 5 | | Solidworks 2018 SP2 | |
| 54.0": ± 0.005 | 56.0": ± 0.005 | 58.0": ± 0.005 | 60.0": ± 0.005 | DATE: 12/2/2020 | | SHEET OF: 5 | | Solidworks 2018 SP2 | |
| 62.0": ± 0.005 | 64.0": ± 0.005 | 66.0": ± 0.005 | 68.0": ± 0.005 | DATE: 12/2/2020 | | SHEET OF: 5 | | Solidworks 2018 SP2 | |
| 70.0": ± 0.005 | 72.0": ± 0.005 | 74.0": ± 0.005 | 76.0": ± 0.005 | DATE: 12/2/2020 | | SHEET OF: 5 | | Solidworks 2018 SP2 | |
| 78.0": ± 0.005 | 80.0": ± 0.005 | 82.0": ± 0.005 | 84.0": ± 0.005 | DATE: 12/2/2020 | | SHEET OF: 5 | | Solidworks 2018 SP2 | |
| 86.0": ± 0.005 | 88.0": ± 0.005 | 90.0": ± 0.005 | 92.0": ± 0.005 | DATE: 12/2/2020 | | SHEET OF: 5 | | Solidworks 2018 SP2 | |
| 94.0": ± 0.005 | 96.0": ± 0.005 | 98.0": ± 0.005 | 100.0": ± 0.005 | DATE: 12/2/2020 | | SHEET OF: 5 | | Solidworks 2018 SP2 | |



| | | | | | |
|--|--------|--|---------|---|--------------------|
| THIRD ANGLE PROJECTION. STANDARDS: ANSI/ASME Y14.10, Y14.1, AND Y14.41. TOLERANCES: AS FOLLOWS UNLESS OTHERWISE SPECIFIED. | | PROPERTY OF MCWANE CORPORATION. ALL DIMENSIONS AND IDENTIFICATION ARE PROPRIETARY TO MCWANE CORPORATION AND ITS SUBSIDIARIES. REPRODUCTION OR USE WITHOUT PERMISSION OF MCWANE CORPORATION IS PROHIBITED. ALL RIGHTS RESERVED. | | DATE: _____ | DESIGNED BY: _____ |
| CASTING TOLERANCES: | | MATCHED DIMENSIONS: | | MATERIAL: _____ | |
| 0.4": | ± 0.02 | DECIMALS: | ± 0.005 | ESTIMATED WEIGHT: _____ | |
| 0.8": | ± 0.04 | FRACTIONS: | ± 0.04 | DESCRIPTION: 10' C515 NRS RESILIENT WEDGE | |
| 1.2": | ± 0.06 | ANGLE: | ± 1° | LBS. GATE VALVE | |
| 1.8": | ± 0.08 | SURFACE FINISH: | 100 μin | DRAWN BY: _____ | |
| MIN RADII: | ± 0.01 | RADI: | 1/8" | DATE: 12/2/2020 | |
| MIN DRAFT: | 2° | | | CHECKED BY: _____ | |
| | | | | SCALE: 1:5 | |
| | | | | SHEET NO: 4 | |
| | | | | SHEET OF: 5 | |
| | | | | SOFTWARE: Solidworks 2018 SP2 | |

CLW
VALVE CO.
D
4
5

| <u>ITEM NO.</u> | <u>COMPONENT</u> | <u>QTY.</u> | <u>SIZE</u> | <u>STANDARD MATERIAL</u> | <u>MATERIAL OPTIONS</u> |
|-----------------|------------------|-------------|--------------------|--------------------------|------------------------------------|
| 1 | BODY | 1 | | DUCTILE IRON | |
| 2 | WEDGE | 1 | | EPDM/DUCTILE IRON | |
| 3 | STEM | 1 | | C86700 | C99500 (LOW ZINC), 304 SS, 316 SS |
| 4 | O-RING | 3 | #218 | EPDM | BUNA-N |
| 5 | THRUST BEARING | 2 | | ACETAL | C26000 |
| 6 | COVER | 1 | | DUCTILE IRON | |
| 7 | O-RING | 1 | #452 | EPDM | BUNA-N |
| 8 | O-RING PLATE | 1 | | DUCTILE IRON | *INDICATOR POST PLATE* |
| 9 | O-RING | 1 | #339 | EPDM | BUNA-N |
| 10 | OPERATING NUT | 1 | | DUCTILE IRON | C86700, ** ϕ 18" HANDWHEEL ** |
| 11 | STEM NUT | 1 | | C87850 | C87610 (LOW ZINC) |
| 12 | WASHER | 1 | 1/2" | 18-8 SS | 316 SS |
| 13 | CAPSCREW | 1 | 1/2" - 13 X 1-1/2" | 18-8 SS | 316 SS |
| 14 | CAPSCREW | 2 | 7/8" - 9 X 3" | 18-8 SS | 316 SS |
| 15 | HEX NUT | 2 | 7/8" - 9 | 18-8 SS | 316 SS |
| 16 | HEX HEAD BOLT | 8 | 5/8" - 11 X 3" | 18-8 SS | 316 SS |
| 17 | HEX NUT | 8 | 5/8" - 11 | 18-8 SS | 316 SS |

VALVES CONFORM WITH THE FOLLOWING STANDARDS

- AWWA C515
- NSF 61

- LOW ZINC BRASS STEM AND STEM NUT AVAILABLE
- 100% DOMESTIC FASTENERS AND ORINGS OPTIONS AVAILABLE
- *OPEN LEFT* (COUNTERCLOCKWISE) AND *OPEN RIGHT* (CLOCKWISE) OPTIONS AVAILABLE
- TURNS TO OPEN FROM FULLY CLOSED: 32
- AWWA MAXIMUM ALLOWABLE CLOSING TORQUE 185 FT-LBS
- OPTIONAL HANDWHEEL CAN BE SUBSTITUTED FOR STANDARD 2" SQUARE OP. NUTS.
 - **NOTE: STANDARD HANDWHEEL SIZE LISTED OUT IN PARTS LIST.**
- MAXIMUM PRESSURE RATING 250 PSI

| | | | |
|-----|------|-----|----------|
| D | 2317 | BLS | 11/30/23 |
| C | - | CW | 12/22/21 |
| B | - | BLS | 08/13/21 |
| A | - | CW | 12/03/20 |
| SYM | ECN | DR | DATE |

| | | | |
|---|-------------------------|---|---------------------|
| STANDARDS: ANSI/ASME B1.1, B1.13, B1.14, B1.14.1, B1.14.2, B1.14.3, B1.14.4, B1.14.5, B1.14.6, B1.14.7, B1.14.8, B1.14.9, B1.14.10, B1.14.11, B1.14.12, B1.14.13, B1.14.14, B1.14.15, B1.14.16, B1.14.17, B1.14.18, B1.14.19, B1.14.20, B1.14.21, B1.14.22, B1.14.23, B1.14.24, B1.14.25, B1.14.26, B1.14.27, B1.14.28, B1.14.29, B1.14.30, B1.14.31, B1.14.32, B1.14.33, B1.14.34, B1.14.35, B1.14.36, B1.14.37, B1.14.38, B1.14.39, B1.14.40, B1.14.41, B1.14.42, B1.14.43, B1.14.44, B1.14.45, B1.14.46, B1.14.47, B1.14.48, B1.14.49, B1.14.50, B1.14.51, B1.14.52, B1.14.53, B1.14.54, B1.14.55, B1.14.56, B1.14.57, B1.14.58, B1.14.59, B1.14.60, B1.14.61, B1.14.62, B1.14.63, B1.14.64, B1.14.65, B1.14.66, B1.14.67, B1.14.68, B1.14.69, B1.14.70, B1.14.71, B1.14.72, B1.14.73, B1.14.74, B1.14.75, B1.14.76, B1.14.77, B1.14.78, B1.14.79, B1.14.80, B1.14.81, B1.14.82, B1.14.83, B1.14.84, B1.14.85, B1.14.86, B1.14.87, B1.14.88, B1.14.89, B1.14.90, B1.14.91, B1.14.92, B1.14.93, B1.14.94, B1.14.95, B1.14.96, B1.14.97, B1.14.98, B1.14.99, B1.14.100 | | PROPERTY OF MCWANE CORPORATION. ALL RIGHTS RESERVED. THIS DRAWING IS THE PROPERTY OF MCWANE CORPORATION AND IS NOT TO BE REPRODUCED OR TRANSMITTED IN ANY FORM OR BY ANY MEANS, ELECTRONIC OR MECHANICAL, INCLUDING PHOTOCOPYING, RECORDING, OR BY ANY INFORMATION STORAGE AND RETRIEVAL SYSTEM, WITHOUT THE WRITTEN PERMISSION OF MCWANE CORPORATION. ALL RIGHTS RESERVED. | |
| CASTING TOLERANCES: | MACHINED DIMENSIONS: | ESTIMATED WEIGHT: | LBS. |
| 0.4": 1/32" | DECIMALS: ±0.005 | DATE DRAWN: | 12/2/2020 |
| 0.8": 1/16" | FRACTIONS: ±0.004 | DRAWN BY: | |
| 1.0": 1/8" | ANGLES: ±1° | CHECKED BY: | |
| 1.5": 3/32" | SURFACE FINISH: 125 μin | DATE: | |
| 2.0": 1/4" | RADI: ±1/8" | SCALE: | 1:5 |
| MIN RADIUS: 1/8" | | APPROVED BY: | |
| MIN DRAUGHT: 2° | | SOFTWARE: | Solidworks 2018 SP2 |