

The Kennedy Guardian

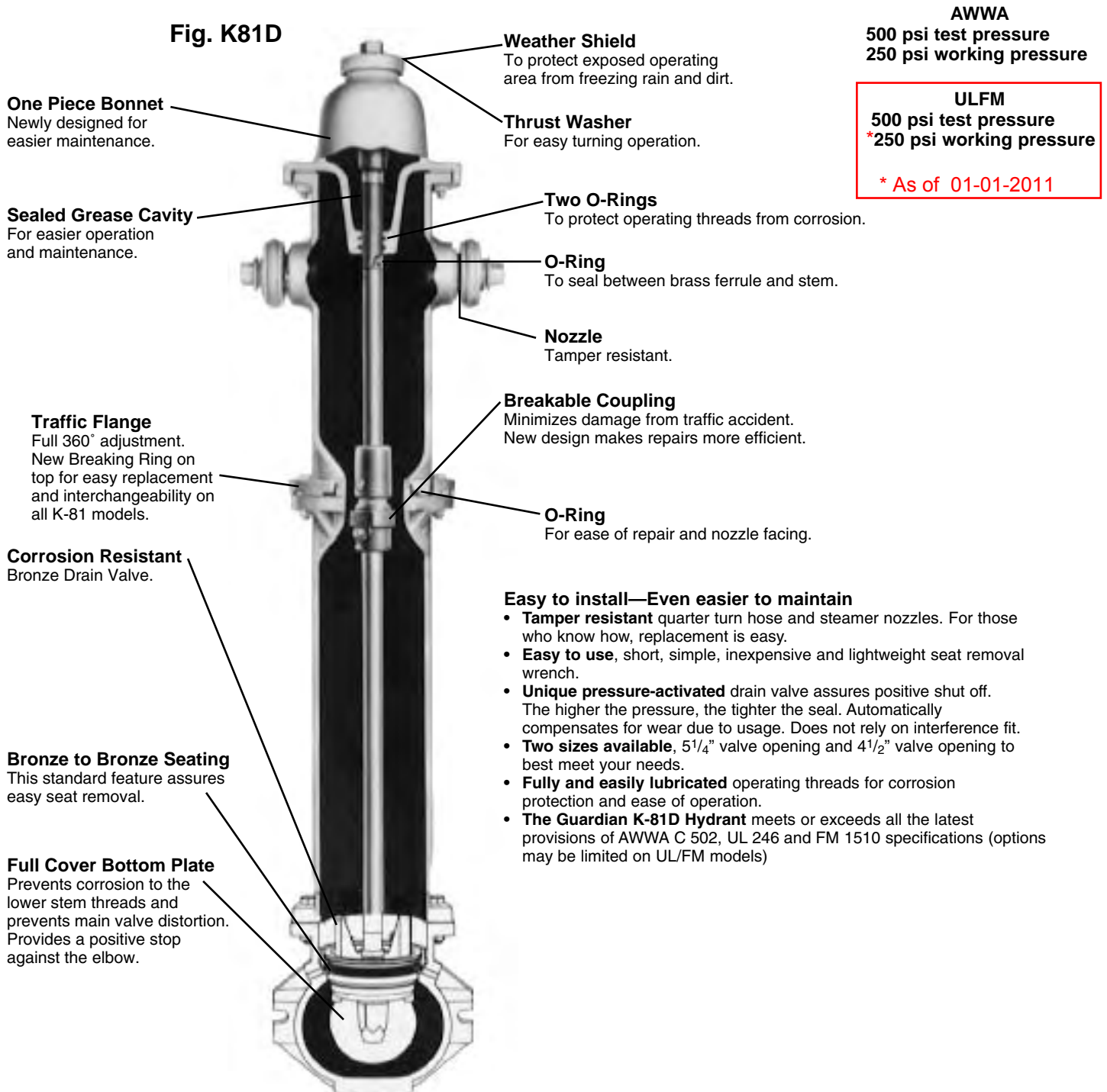
Fire hydrants have been used in fire protection for over 100 years. A.W.W.A. C502 was developed in 1913 as a standard for the manufacture and use of dry barrel hydrants. Kennedy has established itself as a leader in the industry with manufacturing experience dating back to 1905. Many of the early hydrants are in use today.

Kennedy's most recent design is the Guardian. Based on a simple design, it is easy to install, maintain and repair. The Guardian sets a standard for quality in the industry and meets or exceeds all requirements for A.W.W.A. C502 latest revision, and is UL listed and FM approved.

K81D Meets or exceeds requirements of A.W.W.A. C-502 and is UL listed and FM approved.

K-81A Meets or exceeds requirements of A.W.W.A. C-502.

Guardian Features



Ordering Information

Guardian Hydrant

When ordering, indicate the following:

1. Size of main valve opening.
2. Quantity and threading details of hose nozzles.
3. Threading details of steamer nozzle.
4. Size and type of inlet connection (mechanical joint, flanged, asbestos-cement, bell, or tyton).
5. Depth of bury (from bottom of pipe to ground line).

Parts

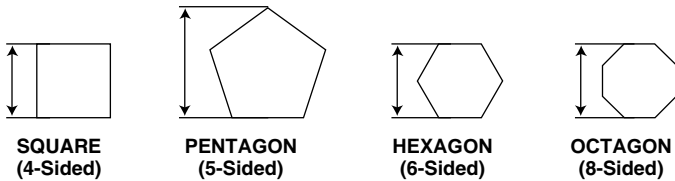
When ordering parts, indicate the following:

1. Part number
2. Part description
3. Type of hydrant
4. Size of main valve opening

ELBOW – We must have the size and type of connection to main.

OPERATING STEM NUT – Give direction to open (cast on cap) and size and shape of operating nut. 4-sided nut, give flat to flat dimension. 5-sided nut, give point to opposite flat dimension. 6-sided nut, give flat to flat dimension to eliminate any doubt as to where the measurement was taken.*

Note: Dual rated hydrants are UL/FM approved for 1½P and 1¼" sq. nut sizes.



CAP – Give direction the hydrant opens. This is indicated by an arrow cast on the cap. Indicate the direction the arrow points.

NOZZLE CAP GASKET – Indicate size of nozzle and whether hose or steamer.

NOZZLE – Give exact threading details, outside (major) diameter, pitch diameter, root (minor) diameter and exact number of threads per inch (TPI) or send in a gauge or sample in good condition.

6. Color (National standard yellow will be furnished unless otherwise indicated).
7. Size and shape of operating nut.
8. Direction to open.
9. Regular or Bronze Lined (for Mathews-Guardian Insert only).

Estimated Weights

| Main Valve Opening | K-81A | Depth of Trench | | | | | | | | | | |
|---------------------|--------|---|------|------|------|------|------|------|------|------|------|-----|
| | | 2'6" | 3'0" | 3'6" | 4'0" | 4'6" | 5'0" | 5'6" | 6'0" | 6'6" | 7'0" | |
| | K-81A | 4½" | 336 | 351 | 366 | 381 | 396 | 411 | 426 | 441 | 456 | 534 |
| | | 5¼" | 380 | 409 | 427 | 444 | 460 | 480 | 502 | 523 | 542 | 560 |
| | K-81AW | 3-way configuration with M.J. shoe less accessories | | | | | | | | | | |
| | | 4" | 281 | 297 | 316 | 333 | 350 | 365 | 381 | 396 | 414 | 429 |
| | K-81AW | 4½" | 278 | 295 | 313 | 330 | 347 | 362 | 378 | 393 | 411 | 426 |
| | | 5¼" | 328 | 335 | 355 | 375 | 395 | 415 | 430 | 445 | 468 | 489 |
| 3-way configuration | | | | | | | | | | | | |

NOZZLE CAP CHAIN – Tell us the nozzle type, hose or steamer.
NOZZLE CAP – Exact threading and nut size and shape.

UPPER BARREL – Furnish all information cast on the barrel and the number of hose and steamer connections.

STEM – Furnish the direction the hydrant opens as cast on the cap and furnish the depth of trench (distance from groundline to bottom of connecting pipe). If the stem can be measured, complete overall dimensions including diameter will help. The diameter should always be measured on the smooth (unthreaded) portion.*

LOWER BARREL – Furnish depth of trench (distance from groundline to bottom of connecting pipe) or dimension from flange face to flange face (overall). The outside and inside diameters are also a help.

SEAT RING – As with all parts you order we must have size of main valve opening and type of hydrant. This is cast on the upper barrel.

National Standard Hose Coupling Thread Specifications (NST)

| | | | | | | |
|--|-------------|--------|--------|--------|--------|--------|
| A. Nominal inside diameter | | 2½" | 3" | 3½" | 4" | 4½" |
| Number of threads per inch | | 7½ | 6 | 6 | 4 | 4 |
| B. Major diameter nozzle thread | Max. | 3.0686 | 3.6239 | 4.2439 | 5.0109 | 5.7609 |
| | Min. | 3.0366 | 3.5879 | 4.2079 | 4.9609 | 5.7109 |
| C. Pitch diameter nozzle thread | Max. | 2.9820 | 3.5156 | 4.1356 | 4.8485 | 5.5985 |
| | Min. | 2.9660 | 3.4976 | 4.1176 | 4.8235 | 5.5735 |
| D. Minor diameter nozzle thread | Max. | 2.8954 | 3.4073 | 4.0273 | 4.6861 | 5.4361 |
| E. Diameter pilot nozzle | | 2.8500 | 3.3540 | 3.9730 | 4.6100 | 5.3570 |
| F. Length of thread – nozzle | | 1" | 1⅛" | 1⅛" | 1¼" | 1¼" |
| G. Face to start of second turn | | ¼" | ⅝" | ⅝" | ⅞" | ⅞" |
| H. Major diameter coupling thread | Min. | 3.0836 | 3.6389 | 4.2639 | 5.0359 | 5.7859 |
| I. Pitch diameter coupling thread | Max. | 3.0130 | 3.5486 | 4.1736 | 4.8985 | 5.6485 |
| | Min. | 2.9970 | 3.5306 | 4.1556 | 4.8735 | 5.6235 |
| J. Minor diameter coupling thread | Max. | 2.9424 | 3.4583 | 4.0833 | 4.7611 | 5.5111 |
| | Min. | 2.9104 | 3.4223 | 4.0473 | 4.7111 | 5.4611 |
| K. Depth of coupling | | ⅝" | 1⅛" | 1⅛" | 1⅜" | 1⅜" |

Also available: Figure 109 Hose Gate Valve (2½").

- Hydrants shall be UL listed and FM approved.
- Hydrants shall conform to A.W.W.A. Standard C-502 latest revision and as specified herein.
- Hydrants shall be of the compression type, closing with line pressure.
- Hydrants shall be of the traffic model breakaway type.
- Hydrant cap and stuffing box shall be of a unitized, one piece design creating a water tight cavity without the use of gaskets. The combination of 3 O-Rings to a crimped brass ferrule around the stem shall seal the cavity from contact with water. An alemite fitting shall be supplied for periodic lubrication of the operating threads with grease.
- Operating nut shall be of one piece bronze construction.
- A dirt shield shall be provided to protect the operating mechanism from grit buildup and corrosion due to moisture.
- A thrust washer shall be supplied between the operating nut and stem lock nut to facilitate operation.
- Nozzles shall be of the tamper resistant, 1/4 turn type with O-ring seals and stainless steel retaining screws.
- An O-ring shall be provided to seal between the upper and lower barrels.
- The main valve shall be of synthetic rubber reinforced with steel.
- The seat shall be of a bronze ring threaded to a bronze insert in the hydrant shoe, with O-Rings to seal the drainway and barrel from leakage of water in the shoe.
- Hydrant drain valve shall momentarily force flush with each operation. Drainway shall be of bronze. Drain valve facing shall be of synthetic rubber with a stainless steel retaining pin.
- Hydrants shall be Guardian as manufactured by Kennedy Valve or approved equal.

For all your valve requirements, contact a Kennedy Distributor near you or:

Kennedy Valve

Division of McWane
1021 E. Water Street
Elmira, New York 14902-1516
607-734-2211 FAX: 800-952-4771

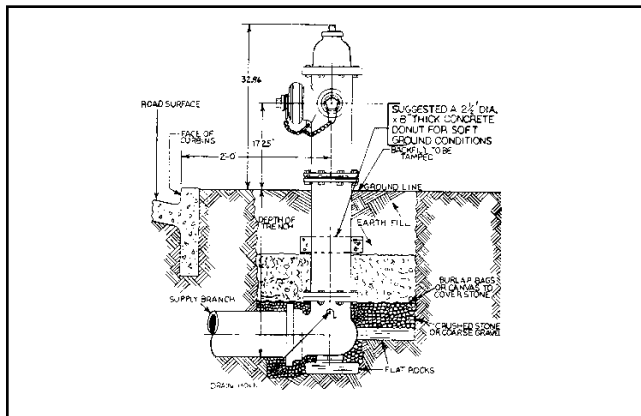
Printed in U.S.A.

INSTALLATION

1. When hydrants are received from manufacturer they should be handled carefully to avoid breakage and damage to flanges. Keep hydrants closed until they are installed. Protect stored hydrants from the elements, if possible.

2. Before installation of hydrants clean piping and elbow of any foreign matter.

3. Install hydrants away from the curb line a sufficient distance to avoid damage from or to overhanging vehicles. A set-back of 2 ft. from the curb line to the point on the hydrant nearest the curb is recommended. The pumper outlet nozzle should face the street. Make sure that the outlet nozzles are high enough above the ground line for hose attachment and that there are no obstructions to prevent operation.



In setting up a hydrant, the elbow should be placed on a flat stone or other solid foundation. It is good practice to brace the side of the base opposite the inlet to oppose the stress due to pressure tending to force the hydrant off the end of the lateral. Hydrants must be firmly supported underground all around the standpipe, especially where there is no concrete sidewalk to help support them. This is particularly important since the proper working of the Safety Breakable Section in severe impact depends upon unyielding support of the underground standpipe.

4. The bottom and lower part of the hydrant should be surrounded with broken stone or coarse gravel so that water released from the standpipe by the drain valves may escape quickly. The stone-filled area should contain a volume of water at least twice that held by the hydrant barrel.

5. Both drainage stone and earth fill above the stone should be tamped to give firm support to the hydrant barrel.

6. It is recommended practice to install an auxiliary or secondary gate valve in the lateral between the hydrant and the main. This permits inspection and repair of hydrant without shutting down mains. Check the hydrant and auxiliary valve for perpendicular setting.

7. After the hydrant is installed and the line as well as the hydrant have been hydrostatically tested, the hydrant should be flushed and then checked for proper drainage.

A. A nozzle cap should be removed, then the hydrant opened fully. This will flush out any dirt or sediment which may have accumulated during installation.

After the hydrant is flushed, close it, replace the nozzle cap, then open the hydrant again and inspect all joints for leaks: Close the hydrant again, remove a hose cap and/or steamer cap to test your hose thread for proper fit.

B. Before replacing the hose cap and/or steamer cap, check the inside of the hydrant for drainage. This can be accomplished by placing the palm of the hand firmly over the nozzle outlet. Drainage rate should be sufficiently rapid to create a suction.

Note:

In certain areas ground water stands at levels above that of hydrant drains. In such cases it is recommended that hydrant drains be plugged at the time of installation. If drains are plugged, hydrants in service in cold climate areas should be pumped out after usage. Mark such hydrants to indicate the need for pumping out after usage.

OPERATION

The Guardian hydrant requires a minimum of torque to be operated. It is possible to damage the hydrant by forcing it beyond the limits of the operating nut travel with excessive torque; therefore, the following steps are recommended:

1. CHECK DIRECTION OF OPENING as marked on the dirt shield.
2. TO OPEN, DO NOT FORCE THE HYDRANT IN THE OPENING DIRECTION BEYOND FULL OPEN as indicated by sudden resistance to turning. If water does not flow when the hydrant is open, it is probably due to a closed valve upstream from the hydrant.
3. WHEN USING HYDRANT, hydrant should be opened full. Partially opened hydrant may allow substantial leakage through the drain valves. This may prevent the hydrant from draining properly when it is shut down. Operation of hydrant in this manner over a period of time could also undermine the hydrant and/or the water main.
4. TO CLOSE, turn the operating nut until the valve closes off the flow. Always shut off hydrant slowly. In old water mains where corrosion has taken its toll, or even on new mains where high pressure is maintained, closing the hydrant too rapidly could cause a water hammer resulting in damage to the main.

IT IS NOT NECESSARY to **OPEN** or **CLOSE** the hydrant with great force. When closing the hydrant, the closed position will be evident by a reduction in the effort required to close it. When that position has been reached, back off the operating nut in the opening direction one-quarter turn to take the strain off the operating parts of the hydrant and to make it easier to open the hydrant when needed again.

MAINTENANCE

It is recommended the hydrant be inspected twice yearly, in the spring and fall. In extremely cold weather it is advisable to inspect hydrant after each use.

Maintenance and adjustments are easy and economical with the Guardian hydrant. All parts which are susceptible to damage or rough treatment can be reached without excavation or expensive equipment. The main valve, seat ring, drain valve, drain valve seat and the stem may all be easily withdrawn and replaced by one man.

Inspection or renewal are practical without disturbing the standpipe, pavement or mains. Inspection should cover the following points:

1. Physical examination noting condition of operating nut, nozzle caps and drains, and general appearance.
2. Use an Aquaphone and listen for leakage through main valve.

3. To check for leakage at seals loosen one hose cap one-half turn. Check ease of operation while fully opening hydrant. When all the air has escaped through the hose cap and the hydrant is full, re-tighten the hose cap and check for leakage at joints, packing or seals, and outlet caps.
4. Close hydrant and remove one nozzle cap. Observe drainage.
5. Open hydrant completely, flush hydrant and observe flow. Care should be taken that the water coming from hydrant will not cause any damage to surrounding area.
6. Close hydrant slowly to insure tight closure.
7. Clean and lubricate all nozzle threads. Replace caps, tighten with spanner wrench, then back off slightly so that the caps will not be excessively tight, but have sufficient frictional resistance to prevent removal by hand.
8. Lubricate stem threads through the Alemite fitting centered in the operating nut (one or two pumps with a grease gun).
9. Clean the exterior of the hydrant and repaint, if necessary.
10. Be sure any auxiliary valves are in the wide open position.
11. Keep complete records on inspection and location of all hydrants in the system.

PROBLEMS AND SOLUTIONS

Various problems which occur in the field are described below with hints on how to solve them.

Stem Binding: Rap the hydrant dome with hammer or spanner wrench. This often will unbind the stem. If stem still binding, loosen dome bolts. Stem should then operate easily. Retighten bolts evenly.

Poor Drainage: It is possible dirt or pebbles may have plugged the drain holes. Presence of water or ice standing in barrel can be checked using a plumb bob.

To correct:

1. Screw nozzle caps on tightly to prevent leakage.
2. Open hydrant slowly until you hear water entering barrel of hydrant. This will allow water to enter the hydrant with drain valve in an open position. When enough pressure builds up in the barrel any dirt or foreign objects causing the blockage should be forced out.
3. After a few minutes, resume turning the operating nut until the hydrant is fully opened.
4. Slowly shut off hydrant.
5. Remove one of the nozzle caps.
6. Observe through nozzle port to make sure water in barrel is receding. Drainage should be sufficiently rapid to create a suction if palm of hand is placed over a nozzle outlet during drainage.
7. Check again for seat leakage with the Aquaphone.

Poor Shutoff: DO NOT exert extra torque forcing hydrant to close. Trouble may be a stone lodged between the seat and the main valve. Forcing closure may damage the hydrant. Stones or other foreign objects are the usual causes of this problem. To correct this problem, remove one or both nozzle caps and open hydrant fully to flush out any foreign material.

Care should be taken that water coming from hydrant will not cause any damage to surrounding area. Attach a canvas apron if necessary, to direct the flow into the street.

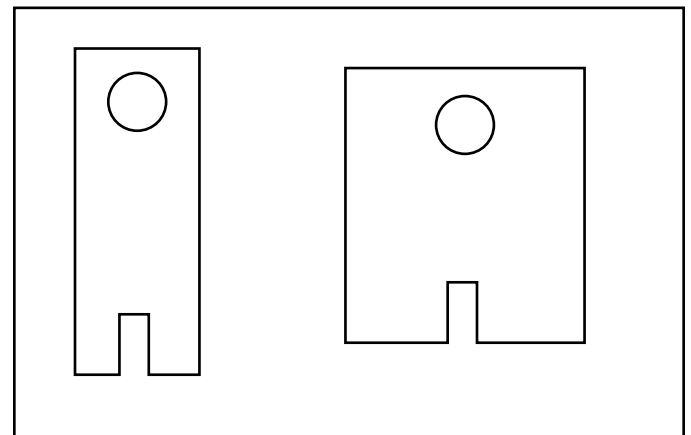
Shut off hydrant slowly until fully closed. Put your ear to nozzle opening to hear if water has stopped coming through main valve.

REMOVING NOZZLES

In 1982 most Guardian hydrants were changed from threaded (12 T.P.I.) nozzle to 1/4-turn nozzle, designed to provide easy replacement in case of damage. Both hose and steamer nozzles are 1/4-turn, left-hand thread segments, and are secured by a stainless steel retaining screw. 1/4-turn nozzles can be removed without difficulty by following these steps:

Instructions to remove 1/4-turn nozzles:

1. Remove nozzle cap (K-8144).
2. Remove nozzle retaining screw (K-8141) using a 1/4" Hex Allen Wrench and turning counter-clockwise.
3. Insert nozzle removing wrench (K-8148) into nozzle (K-8140) and engage nozzle lugs with slots in wrench.
4. Use a 1" diameter bar to turn the nozzle wrench in a **clockwise*** direction (right) 1/4-turn and remove the nozzle. Note: Nozzles are held in the upper by segments of a **left-hand** thread.
5. Remove the old nozzle "O"-Ring (K-8145).
6. Inspect the nozzle seating surface in the upper barrel (K-8115) and remove any dirt or sediment.
7. Lubricate the new "O"-Ring and place into upper barrel.
8. Insert new nozzle and use nozzle wrench (K-8148) and 1" diameter bar to turn nozzle approximately 1/4-turn counter-clockwise (left). Turn nozzle so the nozzle retaining screw will clear the shoulder on the upper casting when it is inserted.



NOZZLE-REMOVING TOOLS K-8148

*Threaded nozzles are removed by turning to the left or counter-clockwise.

9. Check that the nozzle "O"-Ring is compressed evenly.
10. Lubricate the nozzle retaining screw with a Moly-Type grease and thread it into nozzle until it is between flush and up to 1/8" protruding into the inside of the nozzle.
11. Inspect nozzle cap gasket (K-8143) and replace if necessary.
12. Install nozzle cap and tighten.

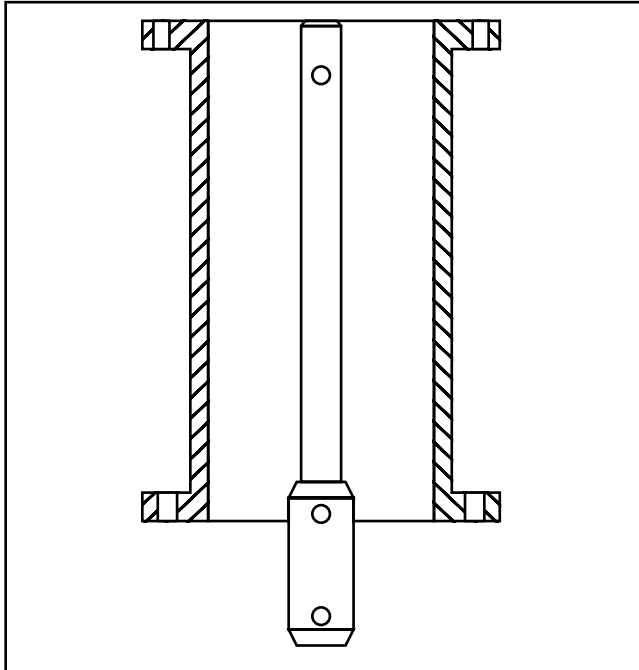
EXTENSION OF GUARDIAN HYDRANT FOR RISE IN STREET GRADE

Height extension of the Guardian hydrant to compensate for a raise in street grade is easily accomplished through the use of the Guardian extension kit (K-8150) without any excavation or interruption of water service and without discarding any parts of the existing hydrant. Extensions are available in 6" increments from 6" to 36"-in length.

The parts supplied with a kit consist of a barrel extension piece and an extension stem of suitable length with all necessary hardware to insert between the upper and lower hydrant sections. The upper barrel and stem sections are connected to the new parts by means of the original standpipe breaking ring and stem coupling.

The entire change can be handled by one man in less than 30 minutes. The new assembly is as rigid and operates as easily as a single piece hydrant.

If the extension increases the overall bury of the hydrant to more than 8 feet, it is strongly recommended that a "deep bury" lower stem be used to minimize chatter.



GRADE EXTENSION KIT K-8150

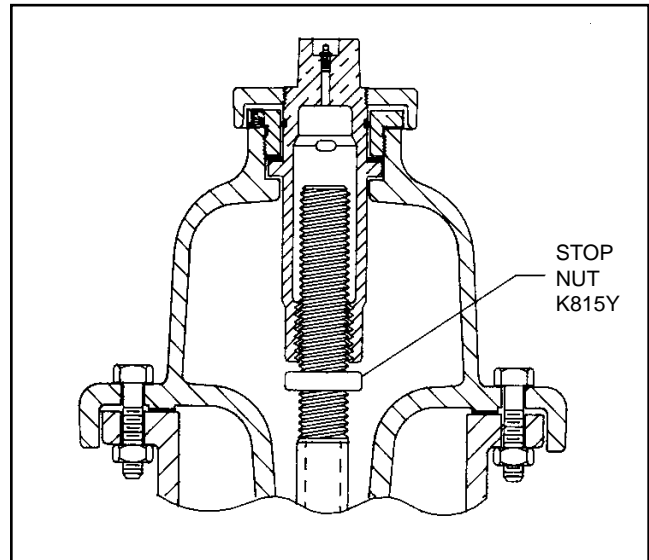
EXTENSION INSTRUCTIONS

For hydrants not equipped with Stop Nut on Upper Stem.

Stop Nut is furnished on all 4"- and 4-1/2"- Mathews-Guardian Inserts and on Guardian Hydrants where specifications require. See diagram this page.

1. Remove cap bolts and nuts (K-8108).
2. Remove cap assembly by placing hydrant wrench on the operating nut (K-8102) and turning in direction to open hydrant. Assembly will walk off stem (K-8114).
3. Remove standpipe breaking ring bolts and nuts (K-8118).
4. Remove standpipe breaking rings (K-8119).
5. Lift upper barrel (K-8115) over stem (K-8114).
6. Remove Coupling Pin (K-8122R) from stainless steel lower coupling pin (K-8122R) and remove pin from the coupling (K-8116).
7. Remove upper stem section with coupling (K-8114 & K-8116).
8. Remove extension stem and coupling from kit (K-8150) and fasten stem to coupling with allen socket head coupling pin provided (K-8150 kit).
9. Place extension stem with coupling (K-8150 kit) on lower stem section (K-8123). Line up pin holes and fasten with allen socket head coupling pin provided (K-8150 kit).

10. Place fiber gasket (K-8150 kit) on lower barrel flange.
11. Place extension spool over stem and fasten with bolts and nuts provided (K-8150 kit).
12. Place upper stem section with breaking coupling (K-8114 & K-8116) on extension stem, line up pin holes, insert stainless steel lower coupling pin and fasten with Clevis Pin.
13. Check "O"-Ring (K-8120) on lower flange of upper barrel. If damaged, replace with new "O"-Ring provided (K-8150 kit).
14. Place upper barrel section (K-8115) over stem and orient nozzles in proper position.
15. Replace standpipe breaking rings (K-8119).
16. Insert bolts and nuts (K-8118) and tighten evenly to 30-45 Ft.-Lbs.
17. Check gasket at hydrant cap flange. If damaged, replace with fiber gasket provided (K-8150 kit).



GUARDIAN WITH STOP NUT K-8154
STOP NUT REMOVAL WRENCH K-8155
AVAILABLE UPON REQUEST

18. Place cap assembly (K-8107) over hydrant stem carefully so as not to damage "O"-Rings (K-8111) and turn in direction to close hydrant. Insert two cap bolts (K-8108) to align flanges and draw down until snug.
19. Replace cap bolts and nuts (K-8108) and tighten.
20. Cycle hydrant to test for leaks or binding.

DIRECTIONS FOR REPAIRING BREAKING COUPLINGS ON K-81A, K81AD, K81AW HYDRANTS

For hydrants not equipped with Stop Nut on Upper Stem. Stop Nut is furnished on all 4"- and 4-1/2"- Mathews-Guardian Inserts and on Guardian Hydrants where specifications require. See diagram-page 5.

1. Remove broken stem breaking coupling and standpipe breaking rings.
 - A. Remove the broken stem breaking coupling (Item K-8116) from the lower stem and remove the lower coupling.

- B. With a socket wrench, remove the bolts (Item K-8118) holding the broken standpipe breaking rings (Item K-8119) pieces and remove the pieces. Lay the hydrant upper on the ground.
- 2. Remove stem from hydrant upper.
 - A. Unscrew the upper stem (Item K-8114) from the operating nut (Item K-8102) by holding the stem stationary and turning the operating nut in the direction to open.
 - B. Remove broken upper stem breaking coupling (Item K-8116) and the upper coupling pin.
- 3. Install new stem coupling.
 - A. Place the new stem breaking coupling (K-8149 kit) on the upper stem and secure with the upper coupling pins provided (K-8149 kit).
 - B. Slide the upper stem and coupling assembly over the lower stem. Push in the lower coupling clevis pin and fasten with the bridge pin.
- 4. Remove the cap from hydrant upper.
 - A. Place the hydrant upper barrel (Item K-8115) on cardboard or other clean surface.
 - B. With a socket wrench, remove the bolts (Item K-8108) holding the cap (Item K-8107) to the upper barrel and remove cap.
- 5. Reassemble hydrant.
 - A. Check the "O"-Ring (Item K-8120) on the bottom of the hydrant upper barrel. Replace if damaged (K-8149 kit).
 - B. Set the hydrant upper barrel over the stem and orient the nozzles in the direction required.
 - C. Place the breaking upper barrel (Item K-8124) flange and around the upper barrel. Replace the bolts in the breaking rings and finger tight.
 - D. Replace the hydrant cap gasket (Item K-8109) (K-8149 Kit) and lower the cap over the stem. (Be careful not to damage the "O"-Rings (Item K-8111) in the cap.) Start the upper stem into the operating nut by turning the operating nut in the direction to close. Turn until the cap is seated on the upper barrel.
 - E. Replace the cap bolts (Item K-8109) and tighten.
 - F. Tighten the breaking rings bolts (Item K-8118) evenly to 30-45 Ft./Lb.

NOTE: CHECK FOR FREE OPERATION BY CYCLING THE HYDRANT FROM FULLY OPEN TO FULLY CLOSED.

DESCRIPTION: COLLISION REPAIR KIT – K81A, K81AD, K81AW

**5-1/4"-ITEM #1-58008
4-1/2"-ITEM #1-58007**

| DESCRIPTION | QUANTITY |
|-------------------------------------|----------|
| Stem breaking coupling | 1 |
| Breaking ring | 2 |
| Flange seal "O"-Ring | 1 |
| Gasket hydrant cap | 1 |
| Coupling Pin | 2 |
| Screw hex head plated 1/2" x 2-3/4" | 8 |
| Nut finished hex plated 1/2" | 8 |
| Instruction Sheet | 1 |

PROPER TOOLS REQUIRED

| | |
|---|---|
| Figure 111 spanner wrench with proper sized operating nut opening | 1 |
| Hammer | 1 |
| Pliers | 1 |
| 3/8"- or 1/2"-drive ratchet with 3/4"-socket | 1 |

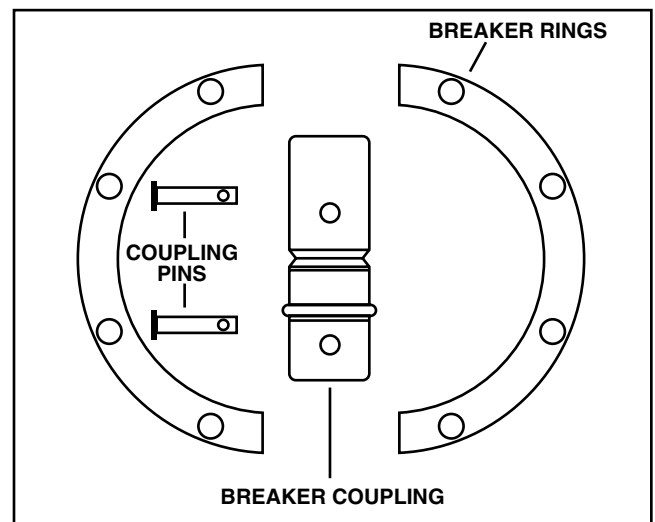
AND

| | |
|-----------------------------|---|
| 3/4"-open or box end wrench | 1 |
|-----------------------------|---|

OR

| | |
|-------------------------------|---|
| 3/4"-open or box end wrenches | 2 |
|-------------------------------|---|

DIRECTIONS FOR USING HYDRANT SEAT



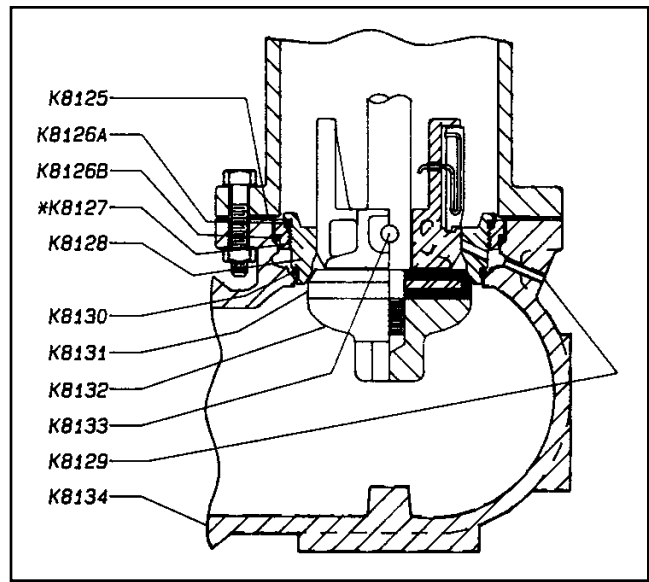
COLLISION REPAIR KIT K-8149

REMOVING WRENCH ON GUARDIAN HYDRANT

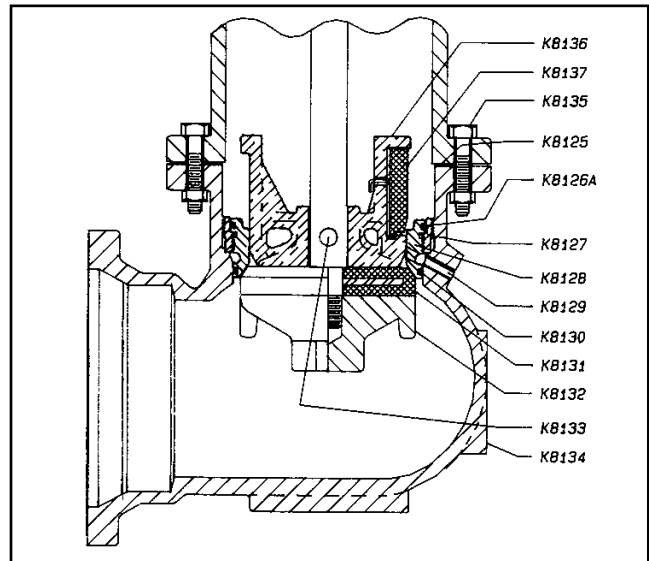
For hydrants not equipped with Stop Nut on Upper Stem. Stop Nut is furnished on all 4"- and 4-1/2"- Mathews-Guardian Inserts and on Guardian Hydrants where specifications require. See diagram- page 5.

- 1. Shut off Water Supply.
 - A. Shut off water supply to hydrant by closing the gate valve controlling flow of water to the hydrant. Remove a nozzle cap and open the hydrant a maximum of three turns. Remember, for operator safety, remove the nozzle cap before opening the hydrant.

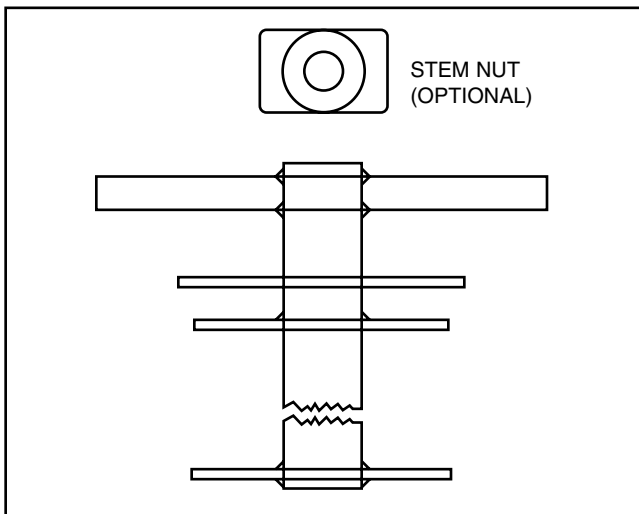
2. Removal of Hydrant Cap.
 - A. With a socket wrench, take out the bolts (K-8108) holding the cap (K-8107).
 - B. Turn the operating nut (K-8102) in the direction to open and hold the cap to keep it from rotating as the operating nut unscrews and lifts the cap. Turn until the operating nut walks off the stem (K-8114).
 - C. Lift the cap straight up and off. Take care not to damage the "O"-Rings (K-8111) in the lower part of the cap.
3. Removal of Stem and Drain Valve Assembly
 - A. Slide the seat removing wrench (K-8147) over the stem and down into the upper barrel (K-8115). Thread the seat removing stem nut (K-8147) on to the stem.
 - B. Turn the wrench while tightening the nut to align it with the stem breaking coupling (K-8116). This will allow the coupling to be drawn into the wrench.
 - C. Lift on the wrench, to pull the drain valve (K-8136) firmly into the seat ring (K-8128) and turn the wrench counter-clockwise to unscrew the seat ring.
 - D. Lift the entire drain valve and stem assembly, with the seat ring and seat removing wrench, out of the standpipe. Do not allow the seat ring to rub against the lower.
 - E. Inspect to be sure "O"-Rings (K-8126A and K-8130) are not in the standpipe.
4. Inspect and Replace, if Necessary, Hydrant Components.
5. Reassemble Hydrant.
 - A. Place the seat ring, stem, breaking coupling and hydrant drain valve as a unit into the wrench. Check to assure "O"-Rings (K-8126A and K-8130) are in place. Engage the wrench (K-8147) on the stem breaking coupling and tighten.
 - B. Insert this assembly into the barrel and lower slowly and carefully to avoid damaging the o-rings.
 - C. Turn the wrench one full turn counter-clockwise to line up the threads to prevent cross-threading. Then turn clockwise to tighten the seat ring. Tighten to 100 Ft.-Lbs. +100/-0 Ft.-Lbs.



GUARDIAN 4 1/2"



GUARDIAN 5 1/4"
Old Style Drain Valve & Bottom Plate



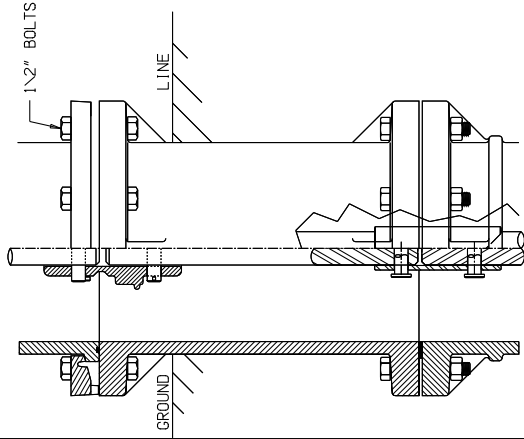
SEAT REMOVING WRENCH K-8147

- D. Remove the wrench.
- E. Lower the cap assembly onto the stem carefully so as not to damage "O"-Rings and turn the operating nut in the direction to close the hydrant, until the cap seats on the barrel, align the bolt holes in the cap and bolt to the barrel.
- F. Close the hydrant and open the gate valve controlling flow of water to the hydrant.
- G. Cycle hydrant to check for free operation.
- H. Close hydrant, wait for hydrant to drain, then reinstall nozzle cap and tighten.

IT IS PREFERABLE TO BE ABLE TO TURN THE WATER PRESSURE ON AND OFF IF THE WATER PRESSURE IS LOW IT IS POSSIBLE THAT THE HYDRANT WILL BE OPENED WHEN REMOVING THE UPPER

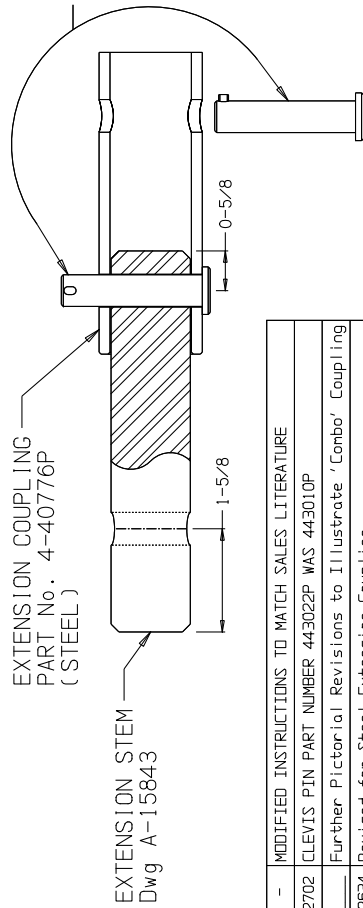
1. Make certain that the hydrant is closed. The water may remain on but see above note.
2. Remove the eight 1/2-UNC bolts & nuts that retain the breaking rings.
3. Turn the Operating Nut in the opening direction until the threaded stem disengages from the Operating Nut. (This will lift the Upper pipe assembly and dome from the stem.)
4. Lift the complete hydrant upper stand-pipe assembly and dome from the stem.
5. Lift this assembly straight up about 12" to avoid damaging the O-Rings that seal the stem and remove the complete upper assembly.
6. Disengage the Lower Stem from the Upper Stem. Remove the lower Clevis/Spring Pin that retains the Lower Stem to the Breaking Coupling.
7. Wire brush the exposed flange of the lower stand-pipe flange until all dirt and built up rust is removed.
8. Wire brush the end of the Lower Stem and attach the Extension Stem Coupling to the Lower Stem exactly as illustrated below.
9. Attach the Upper Stem to the Extension Stem in exactly the same way that it previously was attached to the Lower Stem.
10. Place the Gasket for the Extension Spool on the exposed flange of the Lower Stand-Pipe.
11. Retain the Extension Spool on the Lower Stand-Pipe and align the bolt holes.
12. Insert the bolts provided in the holes. Start the nuts provided on the bolts. Tighten the bolts wrist tight only then tighten them securely (70 ft-lb), proceeding in a side to side pattern that assures that the pressure on the gasket is uniform.
13. Carefully lift the complete upper assembly up above the Upper Stem and lower it on to the Upper Stem taking care not to cut the O-Rings in the Dome.
14. Turn the Operating Nut in the closed direction until the bottom of the Stand Pipe just touches the flange.
15. Align the hydrant and replace the breaking rings in the original position.
16. Replace the bolts in the breaking rings and close the hydrant tightly.
17. Start the nuts on the bolts and tighten the bolts per step 11 except that the torque should be 40 ft-lb.

K81



SPOOL
INSTALLATION

K-81 EXTENSION STEM INSTALLATION



TOOLS REQUIRED

1. WIRE SCRATCH BRUSH
2. HAMMER
3. (2)-8" ADJUSTABLE WRENCH(S)
4. PLIERS
5. DRIFT (FOR HOLE ALIGNMENT)

KENNEDY VALVE
ELMIRA, N.Y. 14901

STEM EXTENSION ASSEMBLY
K 81 A/D HYDRANT
STEEL EXTENSION COUPLING

PART CODE # **16143**
DWG NO. **16143**

SCALE XX Revision 08

| NO | Date | ECN | REVISION |
|----|-------|-----------|---|
| 8 | 09/08 | - | MODIFIED INSTRUCTIONS TO MATCH SALES LITERATURE |
| 7 | 07/06 | 2702 | CLEVIS PIN PART NUMBER 443022P WAS 443010P |
| 6 | 08/01 | - | Further Pictorial Revisions to Illustrate 'Combo' Coupling |
| 5 | 10/00 | 2634 | Revised for Steel Extension Coupling |
| 4 | 10/99 | BMLC 0113 | No Actual Change to Dwg - Rev Level Chg'd Due Unreleased/Incorrect Dwg Marked 'Rev 3' in System |
| 3 | 7/98 | - | Revise to show Post 1996 Clevis Pins with Letter Pins |
| 2 | 8/93 | N/A | Keep all Previous Groove Edits with Part in ELIPS |
| 1 | 6/30 | 2396 | Remove Cast in Ground Tube Bead CREATED KB1A (ONLY) EXTENSION |

NOTE:
1. ALL K81 STEMS
1.250 DIA

FILE PATH DRAFT\HY
DRAWN
ISSUED 6-16-90

Iron Hose Gate Valves

Working pressures:

2 1/2" Cold Water, Non-Shock 250 psi.

- Non-Rising Stem
- Bronze Mounted
- Rubber Seat

HYDROSTATIC TEST PRESSURE: 2 1/2" — Seat & Shell — 500 psi.

| PART NO. | NAME OF PART | MATERIAL | ASTM SPEC. |
|----------|--------------------|--------------|---------------|
| 1 | HEX NUT | STEEL | A-108 C-1018 |
| 2 | HANDWHEEL | MALL. IRON | A-47 |
| 3 | STUFFING BOX | BRONZE | B-62 |
| 4 | HX. HD. SCR. & NUT | STEEL | A-108 C-1018 |
| 5 | "O" RINGS | SYN. RBR. | D-735 |
| 6 | CAP BUSHING | BRONZE | B-135 ALLOY A |
| 7 | SEAT & GSKT. FLG. | NEOPRENE | — |
| 8 | NOZZLE | BRONZE | B-62 |
| 9 | CAP | CAST IRON | A-126 GR. B |
| 10 | STEM | MANG. BRZ. | B-132 ALLOY A |
| 11 | GASKET | GARLOCK 1591 | — |
| 12 | BODY | CAST IRON | A-126 GR. B |
| 13 | DISC | BRONZE | B-62 |
| 14 | PIN | BRZ. ROD | B-16 |

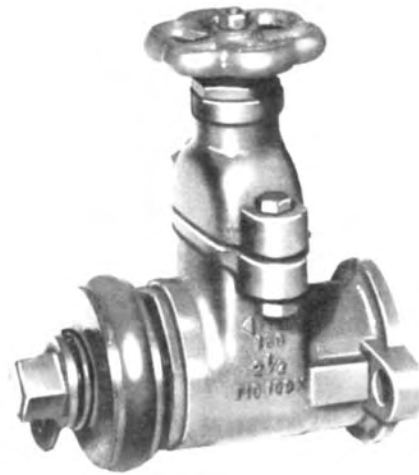
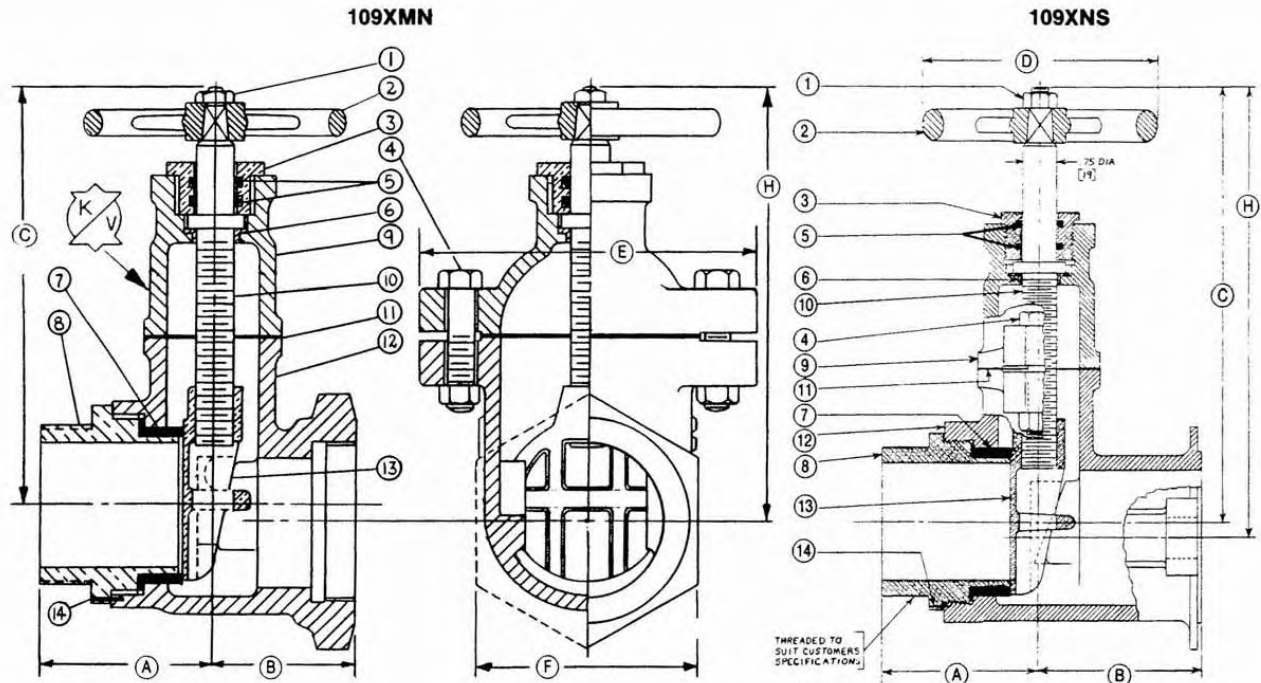


FIG. 109XNS SHOWN

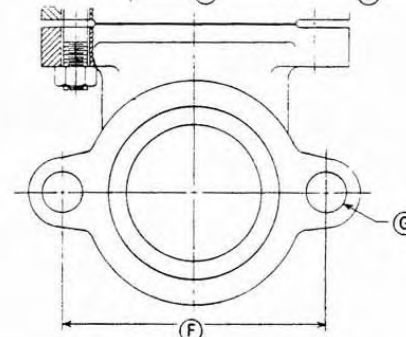
FIG. 109XMN (Screwed ends also)



| MODEL | A | B | C | D | E | F | G | H | WT |
|--------|---------|--------|---------|--------|--------|--------|------|--------|----|
| 109XNS | 3 5/16" | 3 1/2" | 8 5/16" | 4 3/8" | 6 1/2" | 5 5/8" | 7/8" | 8 5/8" | 29 |
| 109XMN | 3 5/16" | 2 3/4" | 8 5/16" | 4 3/8" | 6 1/2" | 4 1/4" | N/A | 8 5/8" | 28 |

CAP MARKING
KV LOGO

BODY MARKING
FRONT
◀ FM ▶
250
2 1/2
FIG. 109-X
BACK
UL
LISTED
FIRE
HOSE VALVE
885H



Updated 02/14/12



Kennedy Valve

A DIVISION OF McWANE, INC.

www.kennedyvalve.com

2009

1021 E. Water Street • Elmira, New York 14901

P.O. Box 981

PHONE: (607) 734-2211 • FAX: 1-800-952-4771