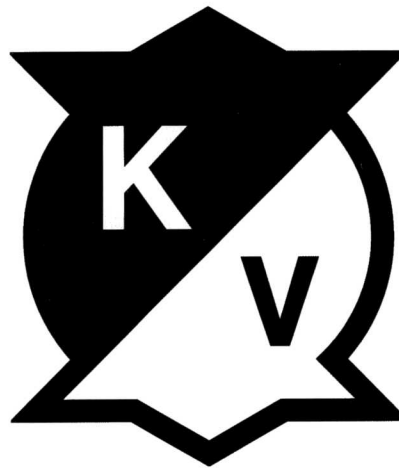


KENNEDY VALVE



UL/FM Butterfly Valves



Designed for the Fire Protection Industry

Sizes: 2-1/2", 3", 4", 6", 8"
300 PSI Rated

Double Seal Design For Bubble Tight Shut Off

UL Listed and FM Approved

Outdoor Rated

Wetted Components NSF Certified

C.S.F.M. Approved

N.Y.C. Acceptable

Light Weight

Corrosion Resistant Fusion Bond Coating

Low Torque Operation, High Cycle Life

Easy to read Flag Type Position Indicator

KENNEDY VALVE

Division of McWane, Inc.



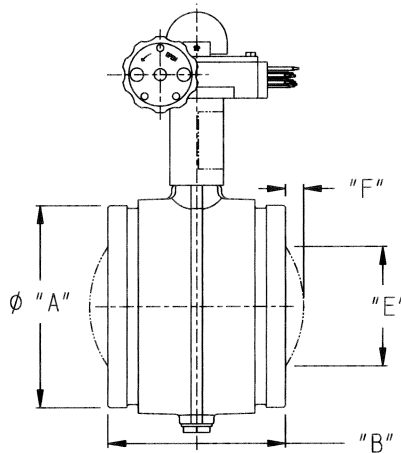
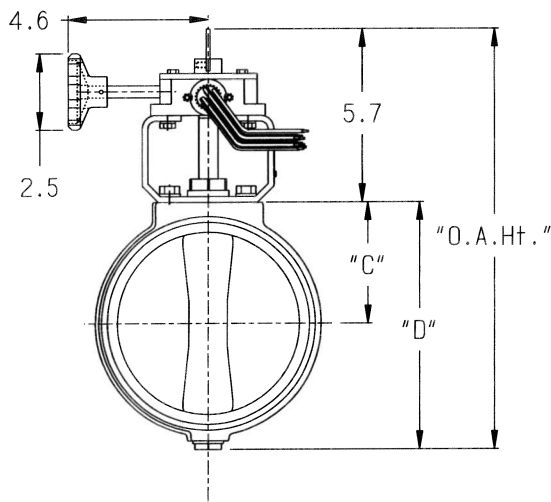
1021 East Water St., Elmira, NY 14901 (607) 734-2211



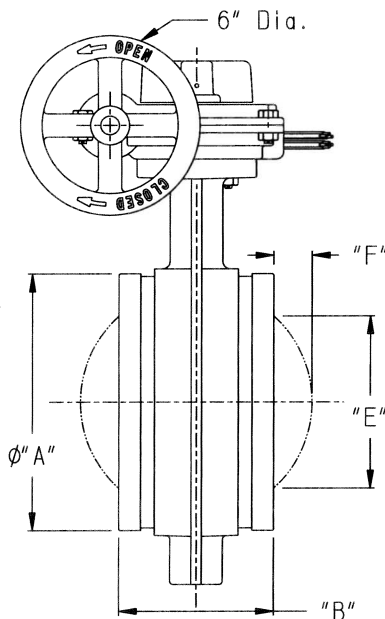
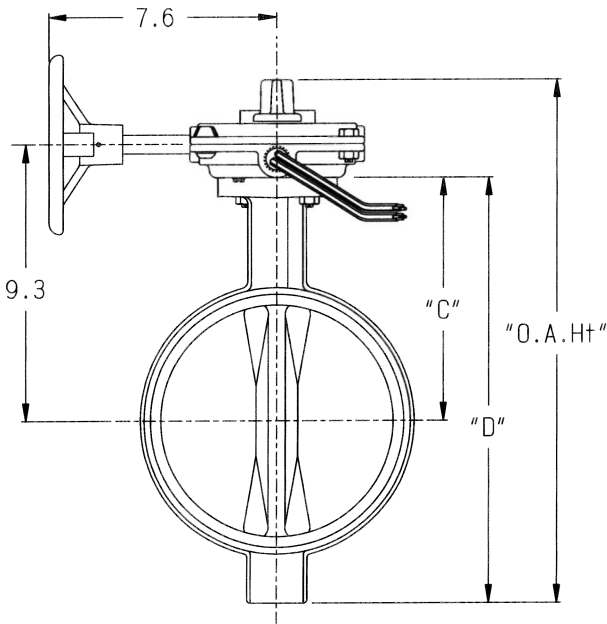
Grooved End Butterfly Valves 2-1/2" to 8"

Figure G300 & 01G 300 psi
with Supervisory Tamper Switch

Wetted Components NSF Certified 4"-8"



2-1/2" to 6"
G300
Outdoor Rated UL/FM



8" Only
01G
Outdoor Rated UL

1. UPPER AND LOWER SHAFTS: 416 SS
2. BODY COATING: EPOXY
3. DISC ENCAPSULATION MTL: SBR

SIZE	G300				01G
	2-1/2"	3"	4"	6"	8"
A	2.85	3.47	4.47	6.61	8.6
B	3.8	3.8	4.5	5.8	5.2
C	2.2	2.4	2.9	4.0	8.2
D	4.3	4.8	5.9	8.1	14.3
E	-	-	-	1.7	5.9
F	-	-	-	.1	1.3
O.A.Ht.	10.0	10.4	11.6	13.8	17.6
Wt.#	8.8	10.1	13.5	24.6	44

Note: "E" will be MINIMUM allowed pipe I.D.
Exercise care handling and during installation.

KENNEDY VALVE

Division of McWane, Inc.

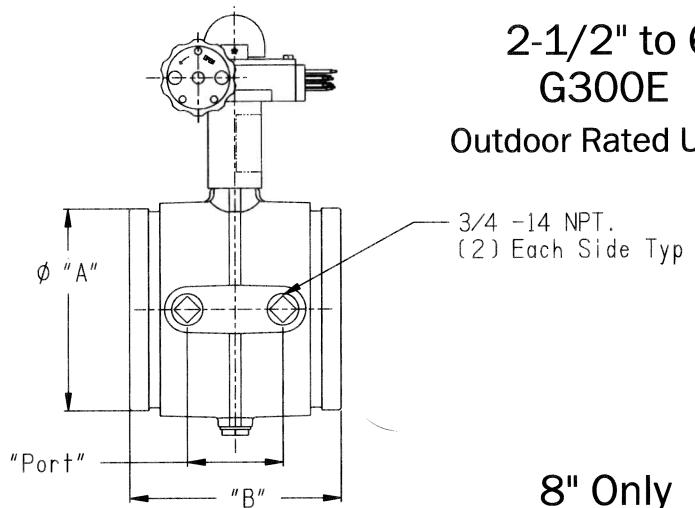
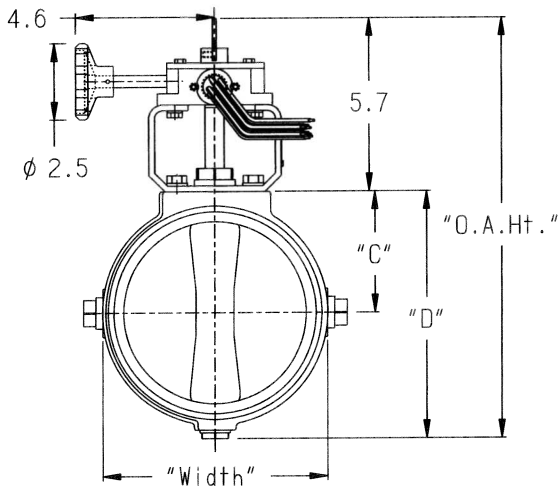
1021 East Water St., Elmira, NY 14901 (607) 734-2211



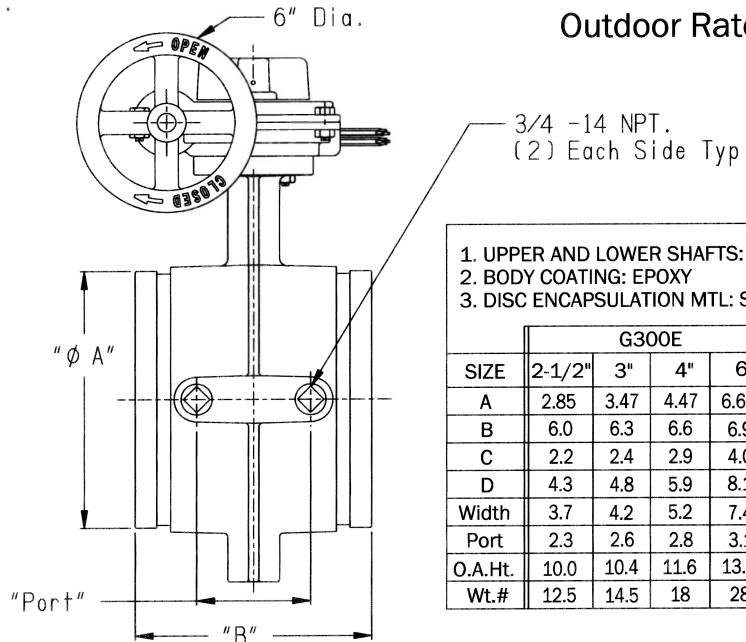
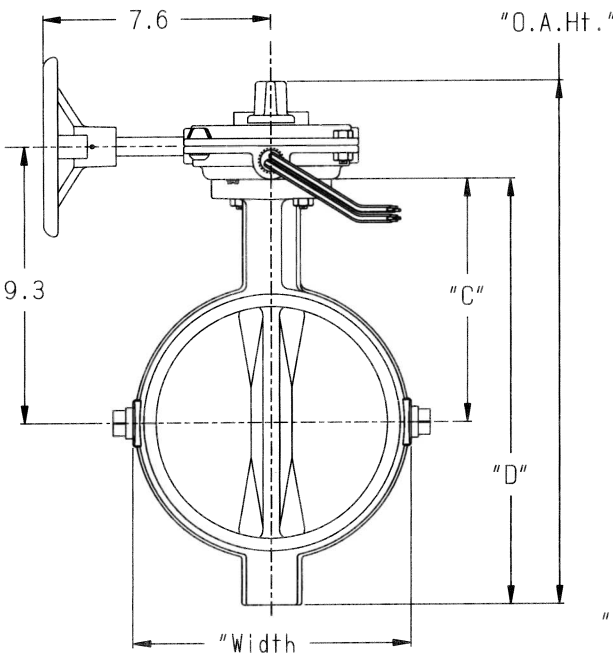
Grooved End Butterfly Valves 2-1/2" to 8"

Figure G300E & O2G 300 psi with Supervisory Tamper Switch

- Extended Length Valves Equipped with Four 3/4"NPT Ports
- Wetted Components NSF Certified 4"-8"
- 4" to 8" sizes have been Approved by the Foundation for Cross-Connection Control and Hydraulic Research at the University of Southern California



2-1/2" to 6"
G300E
Outdoor Rated UL/FM



8" Only
O2G
Outdoor Rated UL

1. UPPER AND LOWER SHAFTS: 416 SS
2. BODY COATING: EPOXY
3. DISC ENCAPSULATION MTL: SBR

SIZE	G300E				O2G
	2-1/2"	3"	4"	6"	8"
A	2.85	3.47	4.47	6.61	8.6
B	6.0	6.3	6.6	6.9	7.9
C	2.2	2.4	2.9	4.0	8.2
D	4.3	4.8	5.9	8.1	14.3
Width	3.7	4.2	5.2	7.4	9.3
Port	2.3	2.6	2.8	3.1	2.3
O.A.Ht.	10.0	10.4	11.6	13.8	17.6
Wt.#	12.5	14.5	18	28	55

Note: Disc does not protrude past the "B" dimension of the body on any size in the open position. Exercise care handling and during installation.

KENNEDY VALVE

Division of McWane, Inc.

1021 East Water St., Elmira, NY 14901 (607) 734-2211

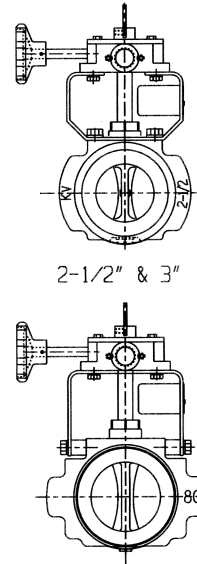
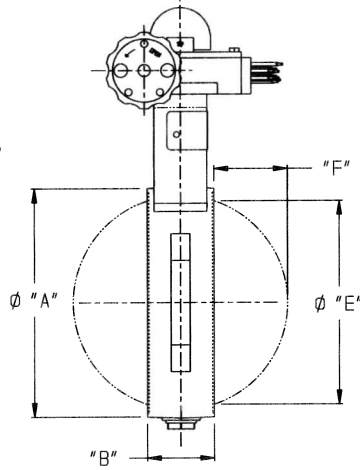
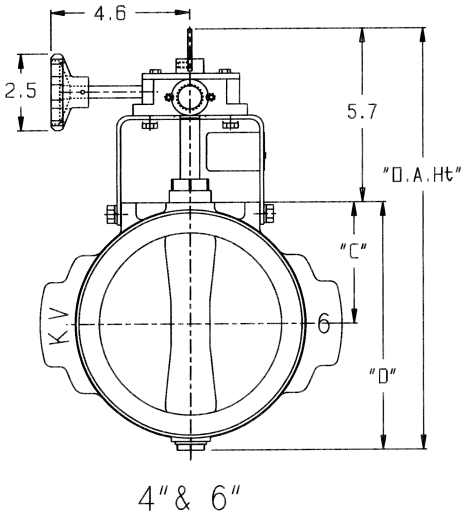


Wafer Butterfly Valves 2-1/2" to 8"

Figure W300, W300I, & O1G 300 psi
with Supervisory Tamper Switch

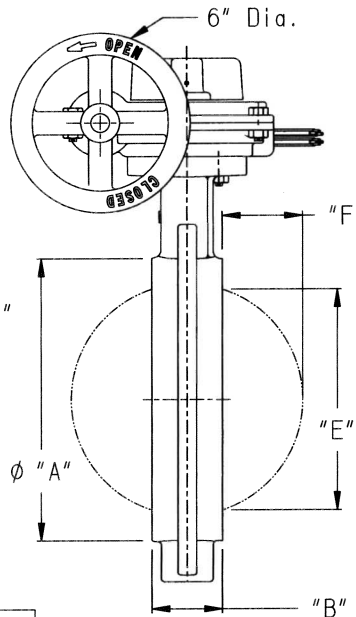
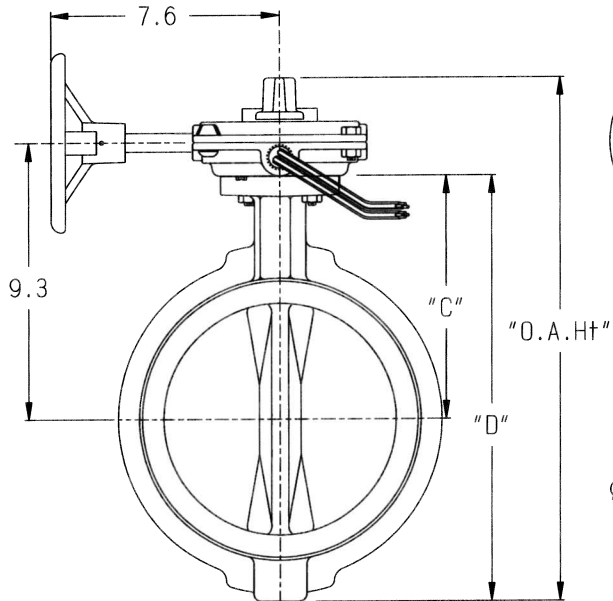
Wetted Components NSF Certified 4" - 8"

VALVE SELECTION FOR ISO PN 16 FLANGE	
FLANGE SIZE	KV MODEL
65 MM	2-1/2" W300
80 MM	3" W300I
100 MM	4" W300I
150 MM	6" W300



2-1/2" to 6"
W300 & W300I
Outdoor Rated UL/FM

W300I - ISO PN16 FLANGE
3"/80mm & 4"/100mm ONLY



8" Only
O1W
Outdoor Rated UL

- UPPER AND LOWER SHAFTS: 416 SS
- BODY COATING: EPOXY
- DISC ENCAPSULATION MTL: SBR

WAFER BOLTING					
SIZE	2-1/2"	3"	4"	6"	8"
Number of Studs	4	4	8	8	8
Stud size (inch)	5/8	5/8	5/8	3/4	3/4
Stud Length Min. (inch)	5.5	5.5	6.5	7	7.5
Recommended Min.Torque (Ft-Lbs)	30	30	30	40	50

	W300, W300I				O1W
SIZE	2-1/2"	3"	4"	6"	8"
A	4.2	4.4	5.3	7.5	9.5
B	1.8	1.8	2.0	2.2	2.4
C	2.2	2.4	2.9	4.0	8.2
D	4.3	4.8	5.9	8.1	14.3
E	1.7	2.4	3.3	5.6	7.5
F	.4	.6	.9	1.9	2.7
O.A.Ht.	10.0	10.4	11.6	13.8	17.6
Wt.#	10.5	11.1	13.8	20.5	44

Dimensions B, D, and E are referenced in Installation Instructions.

"E" is MINIMUM allowed pipe I.D.

Exercise care handling and during installation

Kennedy Valve - UL/FM Butterfly Valves 11-4

Updated 02/05/13

BUTTERFLY VALVE - G300/G300E/W300/W300I/01G/01W/02G SUPPLEMENTARY INSTALLATION INSTRUCTIONS

Information shown here is intended to supplement, not replace, instructions that is shipped with each valve.

Dimensional information regarding minimum pipe I.D. and disc protrusion are shown on dimensional page for particular valve.

Exercise care handling and during assembly.

Grooved Body

For use with grooved end in steel pipe (IPS)

See valve dimensional information for min. pipe I.D. (dimension E)

Valves shall be installed by person(s) certified to install grooved end fittings in a fire protection system by authority having jurisdiction.

- 1) Place gasket over pipe or fitting to which valve will be joined.
- 2) Position valve against mating pipe/fitting.
- 3) Slide gasket into position on valve and adjacent pipe/fitting and install coupling according to coupling manufacturer's instructions.

Wafer Body

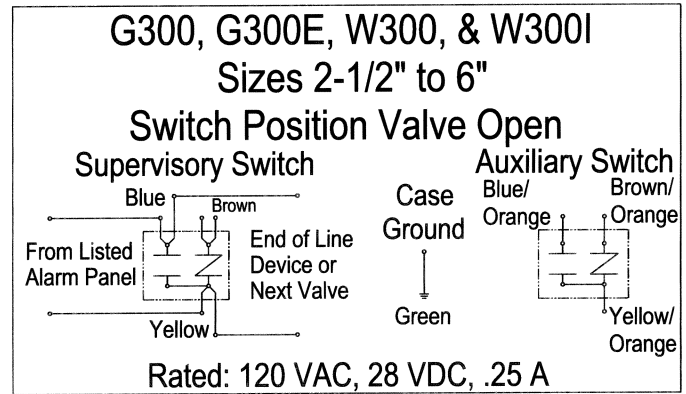
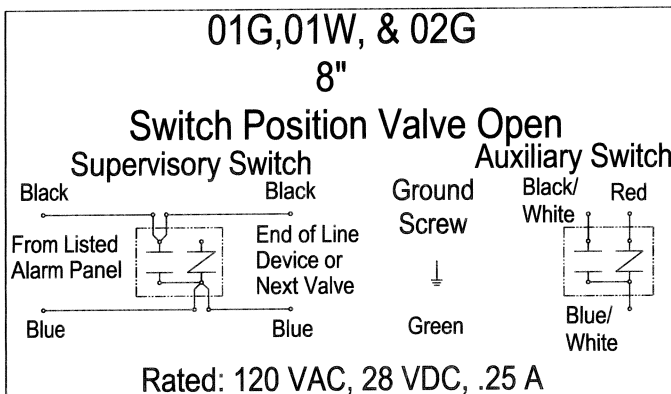
For installation between two ANSI B16.1, 125 lb. flanges

See valve dimensional information for min. pipe I.D. (dimension E)

- 1) Two flanged mating pieces should be placed at a distance apart that is slightly more than the thickness of the body (dimension B on wafer table)
- 2) A minimum of 2 studs shall be placed through adjacent flange holes so that the lower trunnion of the valve can fit between them. Normally this is the bottom 2 holes if the valve will be vertical with open/closed indicator on top.
- 3) Place the valve between the flanges taking care not to disturb the body gaskets.
- 4) Place remaining studs around the valve and tighten using an alternating pattern until desired torque is reached.

Switch Wiring

- 1) Valve has internal switches that operate from the OPEN position.
- 2) One switch has dual leads that is for connection to the SUPERVISORY circuit of an alarm panel. The other switch has single leads and is intended to be connected to AUXILIARY equipment.
- 3) Unused leads can be tucked into junction box (not provided)
- 4) Always comply with national codes, local codes, and NFPA 13, 71, and 72.





Kennedy Valve

A DIVISION OF McWANE, INC.

www.kennedyvalve.com

2009

1021 E. Water Street • Elmira, New York 14901

P.O. Box 981

PHONE: (607) 734-2211 • FAX: 1-800-952-4771