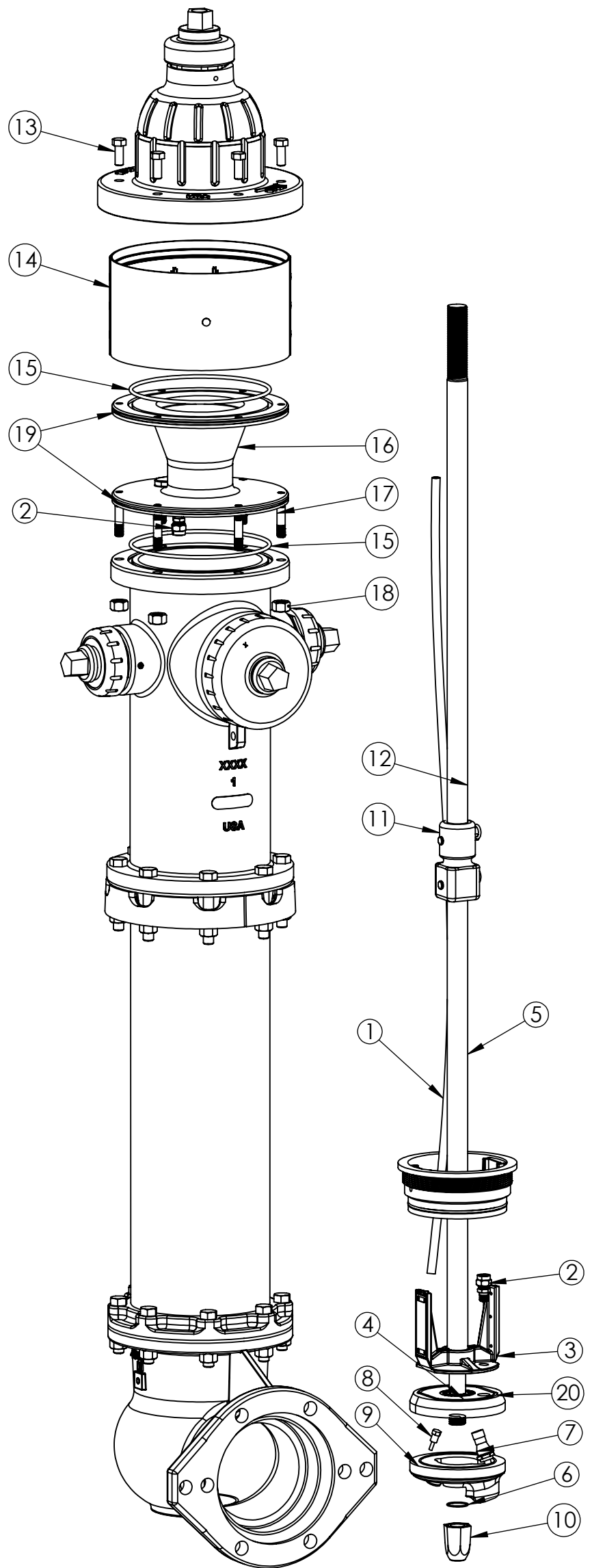
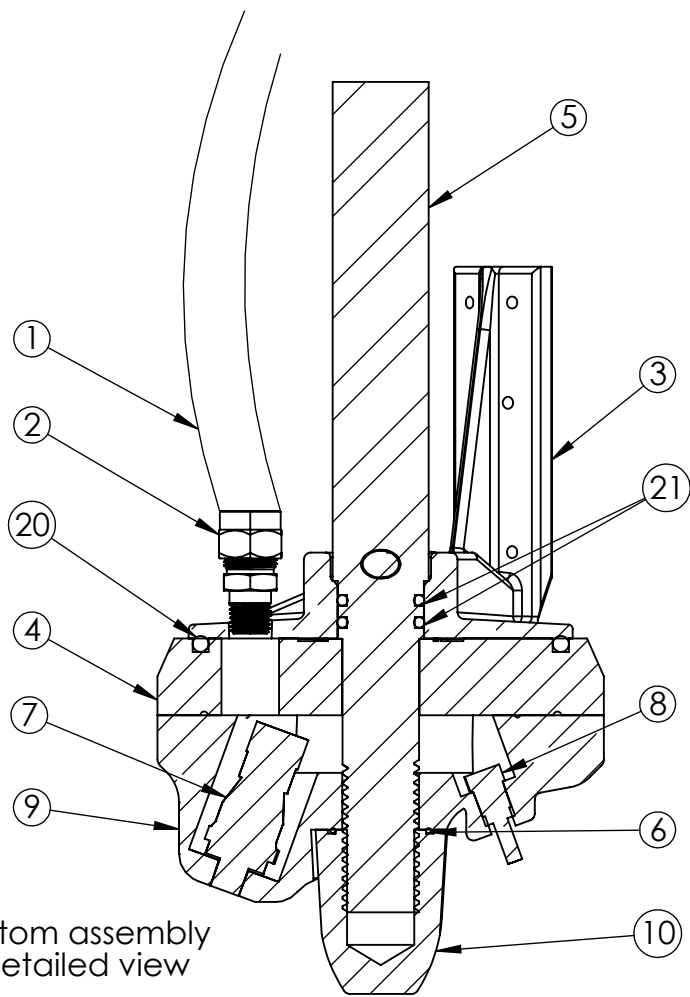


Bottom assembly
Detailed view



*Note: Sensors are included in the item 14;
Part number DBA981-AAB-(XXX)
where XXX represent the color.
000 - RED
004 - YELLOW
006 - ALUMINIUM.

Sr Number	Part Description	Material	Part number
1	Tube	1/2" x 0.062 Wall Nylon Tube	120602
2	Compression fitting	Brass; 1/4" NPT by 1/2" tube;	120605
3	iHydrant 5-1/4" Top plate	B-148 C95500	557516
4	iHydrant 5-1/4" main valve seat	EPDM Rubber	555975
5	iHydrant Lower rod	Steel	varies as per bury depth
6	iHydrant bottom capnut O-ring (#2-25)	EPDM Rubber	211295
7	Pressure sensor	*	*
8	Temperature sensor	*	*
9	iHydrant 5-1/4" Bottom plate	Ductile iron	331638
10	iHydrant Bottom cap nut	Ductile iron	545125
11	Break coupling	Cast iron	454591
12	iHydrant 5-1/4" Upper Rod	Steel	554344
13	1/2" -13 - 1.25" long hex head bolts	Stainless steel	200729
14	iHydrant 5-1/4" Weather guard with electronics, cable and required hardware.	Weather shield : Makrolon PC 9415-901510	DBH981-AAB-(XXX)
15	iHydrant Spool O-ring	Rubber BUNA-N	210645
16	iHydrant 5-1/4" Spool	Ductile iron	318604
17	1/2"-13 Thread, 2-1/2" Long studs	Steel	200546
18	1/2" -13 Hex nut	Stainless steel	200904

Sr Number	Part Description	Material	Part number
19	Spool - Weather guard O-ring (2-273)	Rubber EPDM	211297
20	Main valve O-ring (2-346)	Rubber EPDM	210020
21	Lower rod O-ring (2-212)	Rubber EPDM	210005

THIS DWG. AND ALL INFORMATION IS OUR PROPERTY AND SHALL NOT BE USED, COPIED, OR REPRODUCED WITHOUT WRITTEN CONSENT. DESIGN AND INVENTION RIGHTS RESERVED.



M&H VALVE COMPANY

A DIVISION OF MCWANE INC.
P.O. BOX 2088
ANNISTON, ALABAMA 36202

DRAWN: SUP
DATE: 08/14/19
DWG. NO. FH-i129

5-1/4" 129 iHydrant Submittal