

DOMESTIC

NON-DOMESTIC

SUBMITTAL:

(Current revisions for the noted Standards apply)

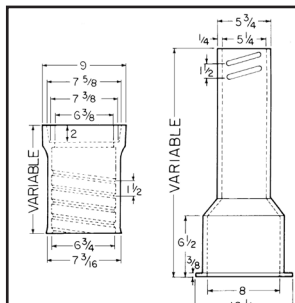
SIZES: Adjustable Slip and Screw type with standard assembly lengths ranging from 19” to 72” (Lengths noted do not include the addition of risers, extensions, and/or bases). See the catalog or List Price guide for accessories, lids, bases, risers, meter covers, etc.

STANDARDS: Produced with Class 35 cast iron in accordance with and meeting all applicable terms and provisions of ASTM A48. All Tyler Union valve boxes when properly installed are suitable for use in conjunction with projects utilizing American Association of State Highway and Transportation Officials (AASHTO) standards and provisions.

INSTALLATION: Per AWWA M44, Manual of Water Supply Practices

COATING: The asphaltic bituminous coating is applied to a minimum thickness of 1.5 mil and the coating once dry is neither brittle when cold or sticky when exposed to the sun

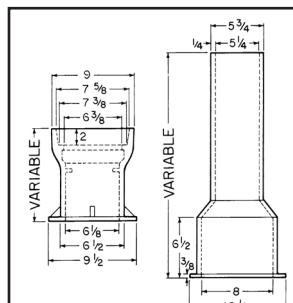
**For 4” - 12” Valves
5-1/4” Shaft, Screw Type**



**6850 SCREW TYPE
VALVE BOX
Cast Iron - 2 piece**

Components	Extension Height
10T + 15B	19-22
10T + 24B	27-32
16T + 24B	27-37
16T + 30B	33-43
16T + 36B	39-50
26T + 30B	36-52
26T + 36B	39-60
26T + 24B + #60 Ext	53-71
26T + 36B + #60 Ext	64-82

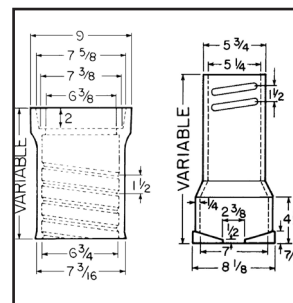
**For 4” - 12” Valves
5-1/4” Shaft, Slip Type**



**6855 SLIP TYPE
VALVE BOX
Cast Iron - 2 piece**

Components	Extension Height
10T + 15B	19-22
10T + 24B	27-32
16T + 24B	27-37
16T + 30B	33-43
16T + 36B	39-50
26T + 30B	36-52
26T + 36B	39-60
26T + 24B + #60 Ext	53-71
26T + 36B + #60 Ext	64-82

**For 3” - 20” Valves
5-1/4” Shaft, Screw Type**

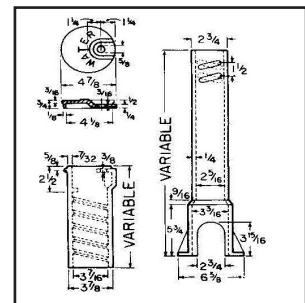


**6860 SCREW TYPE
VALVE BOX
Cast Iron - 3 piece**

Components	Extension Height
10T + 12B	27-37
10T + 18B	33-42
16T + 24B	39-49
16T + 30B	45-54
16T + 36B	51-60
26T + 30B	45-66
26T + 36B	51-72
16T + 24B + #60 Ext	63-72
26T + 24B + #60 Ext	63-84
26T + 36B + #60 Ext	74-94

NOTE: Base Required, Order Separately

**For 1/2” to 2”
Curbstops**

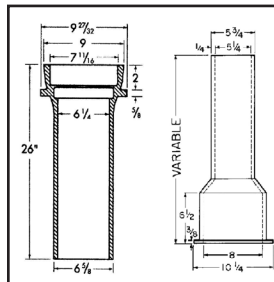


**6500 SCREW TYPE
CURB/SERVICE BOX**

Components	Extension Height
12T + 12B	15-21
12T + 15B	18-24
15T + 15B	21-27
15T + 21B	24-33
15T + 27B	30-39
18T + 27B	30-42
18T + 33B	36-48
24T + 33B	36-54
24T + 39B	45-60
30T + 39B	41-64

NOTE: Enlarged Base Available

T = Top B = Bottom Ext = Extension



**For 4” - 12” Valves
5-1/4” Shaft, Slip Type
7126 SLIP TYPE
VALVE BOX
Cast Iron - 2 Piece**

Components	Extension Height
26T + 30B	36-52
26T + 36B	39-60