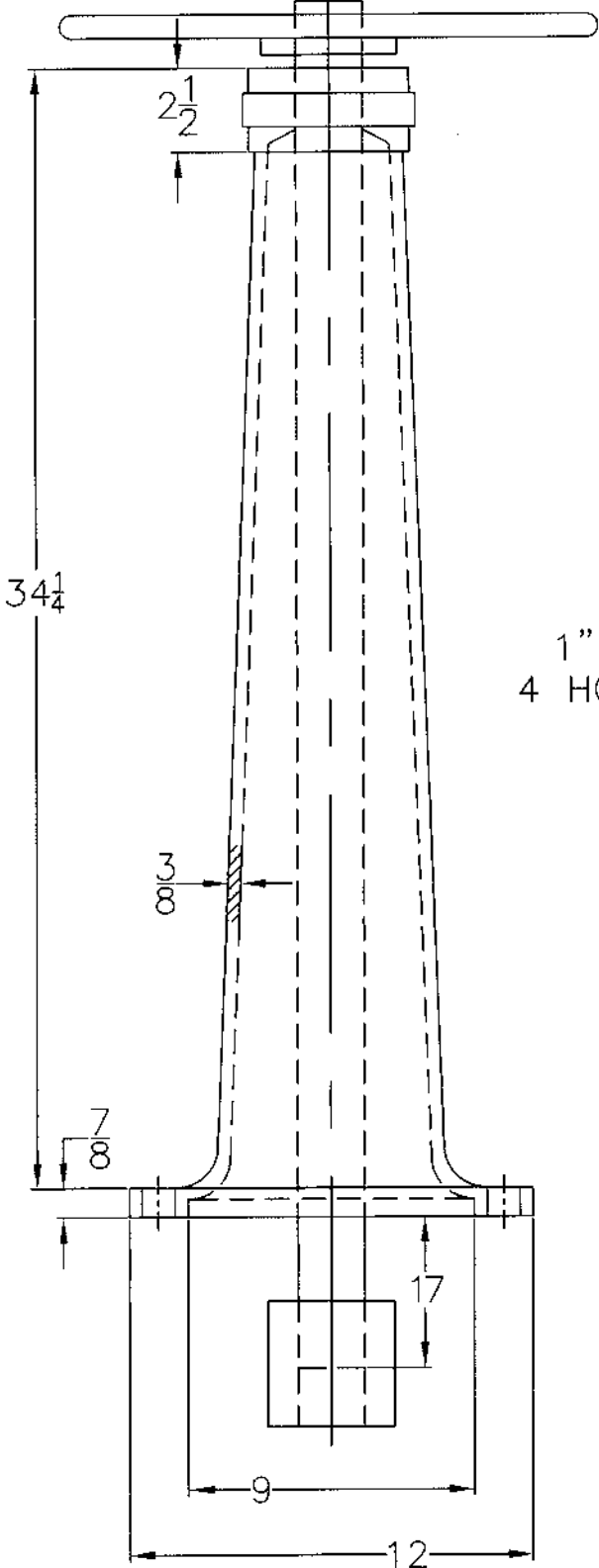


**FLOOR STAND ASSEMBLY  
W/HANDWHEEL OPERATOR**

KENNEDY VALVE



1" HOLE THRU  
4 HOLES AT 90°

$10\frac{1}{4}$  DIA B.C.

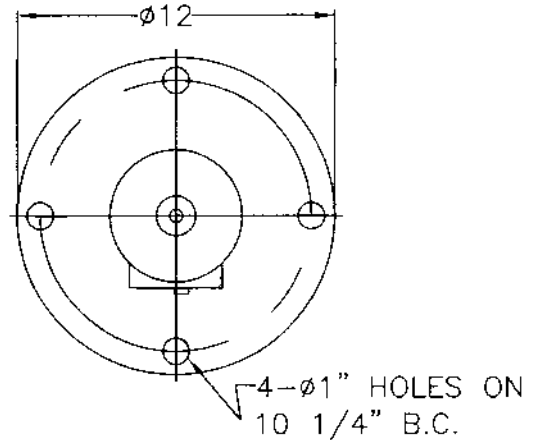
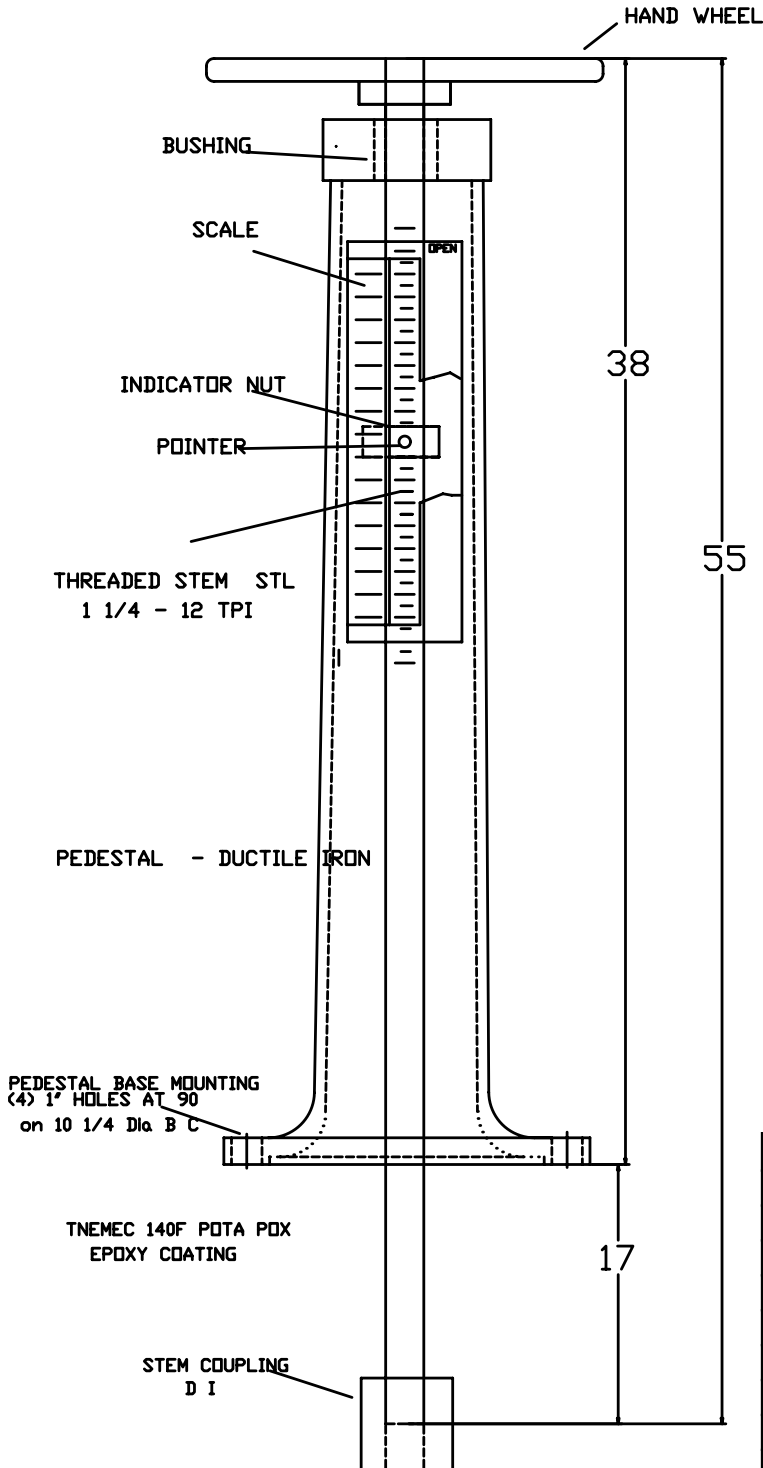
CORED HOLE:  
BORED AND BUSHED  
TO STEM DIA

The F-5500-T Floor stand is for use on non-rising stem valves. Floor stands are of high strength ductile iron and may be provided with extension arms of steel, stainless steel or bronze as specified.

# NON-RISING UNIVERSAL INDICATING FLOOR STAND

KENNEDY VALVE

144 TURNS OF INDICATION  
MAXIMUM



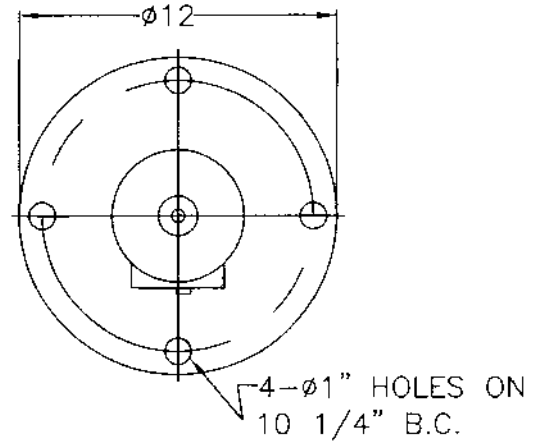
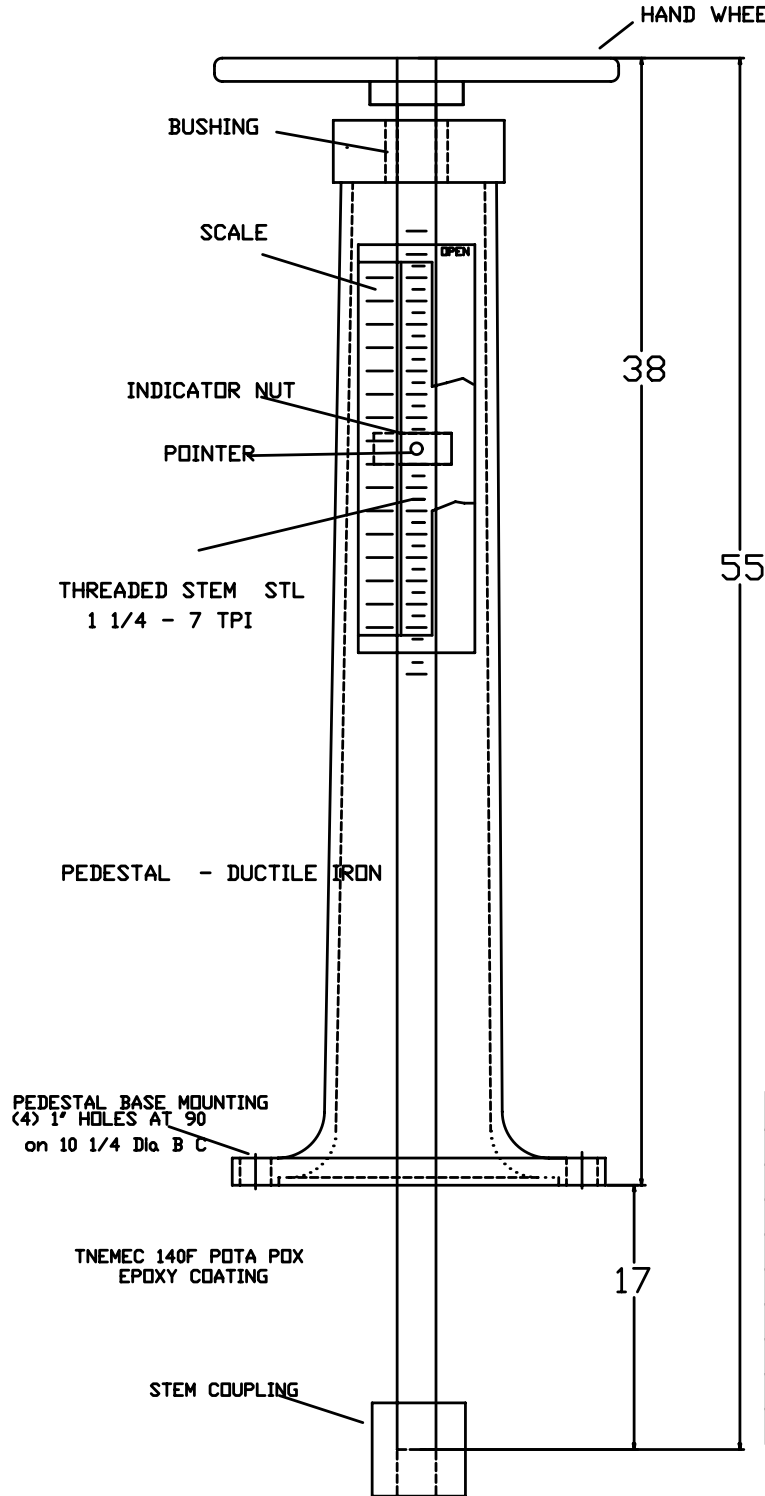
The F-5500-T indicating floor stand is for use on non-rising stem valves where open/close valve indication is needed. Floor stands are of high strength ductile iron and may be provided with extension arms of steel, stainless steel or bronze as specified.

ITEM	DESCRIPTION	REQ'D.	MAT'L.
1	FLOOR STAND	1	D.I.
2	STEM	1	ST'L
3	COUPLING	1	C.I.
4	BOLT	1	ST'L
5	NUT	1	ST'L
6	BUSHING	1	BRZ
7	INDICATOR NUT	1	BRZ
8	CLOSED TAG	1	ALUM
9	DRIVE SCREW	1	ST'L

# NON-RISING UNIVERSAL INDICATING FLOOR STAND

KENNEDY VALVE

84 TURNS OF INDICATION  
MAXIMUM



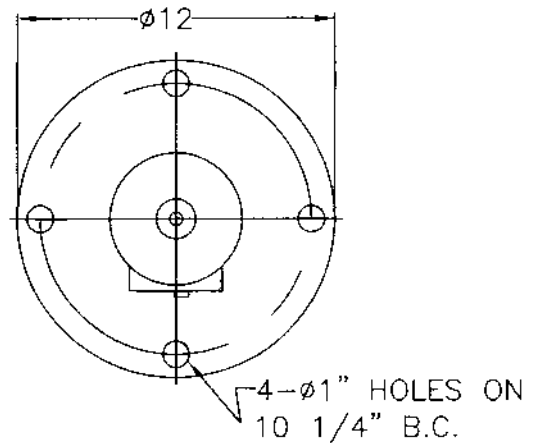
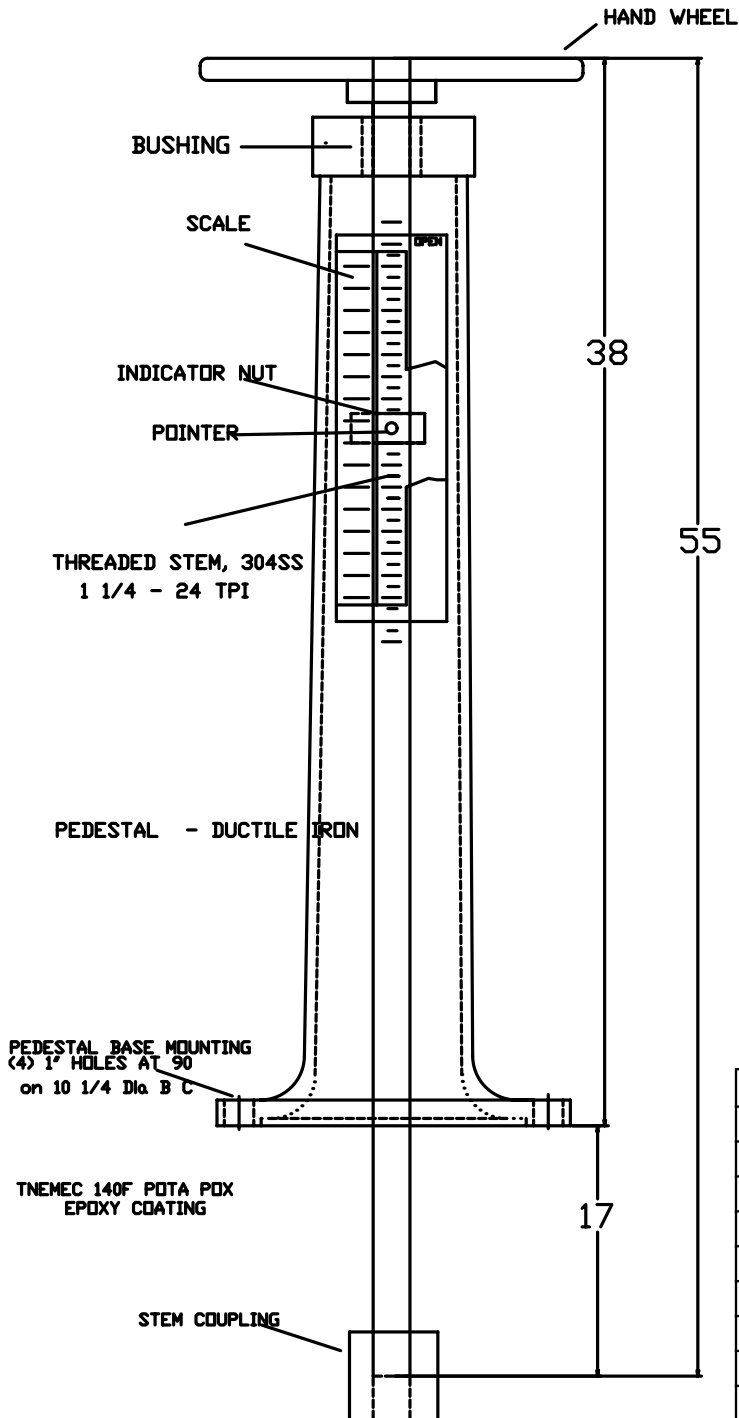
The F-5500-T indicating floor stand is for use on non-rising stem valves where open/close valve indication is needed. Floor stands are of high strength ductile iron and may be provided with extension arms of steel, stainless steel or bronze as specified.

ITEM	DESCRIPTION	REQ'D.	MAT'L.
1	FLOOR STAND	1	D.I.
2	STEM	1	ST'L
3	COUPLING	1	C.I.
4	BOLT	1	ST'L
5	NUT	1	ST'L
6	BUSHING	1	BRZ
7	INDICATOR NUT	1	BRZ
8	CLOSED TAG	1	ALUM
9	DRIVE SCREW	1	ST'L

# NON-RISING UNIVERSAL INDICATING FLOOR STAND

KENNEDY VALVE

288 TURNS OF INDICATION  
MAXIMUM



The F-5500-T indicating floor stand is for use on non-rising stem valves where open/close valve indication is needed. Floor stands are of high strength ductile iron and may be provided with extension arms of steel, stainless steel or bronze as specified.

ITEM	DESCRIPTION	REQ'D.	MAT'L.
1	FLOOR STAND	1	D.I.
2	STEM	1	ST'L
3	COUPLING	1	C.I.
4	BOLT	1	ST'L
5	NUT	1	ST'L
6	BUSHING	1	BRZ
7	INDICATOR NUT	1	BRZ
8	CLOSED TAG	1	ALUM
9	DRIVE SCREW	1	ST'L

**EXTENSION STEM ASSEMBLY  
2" SQ. SOCKET COUPLING**

KENNEDY VALVE

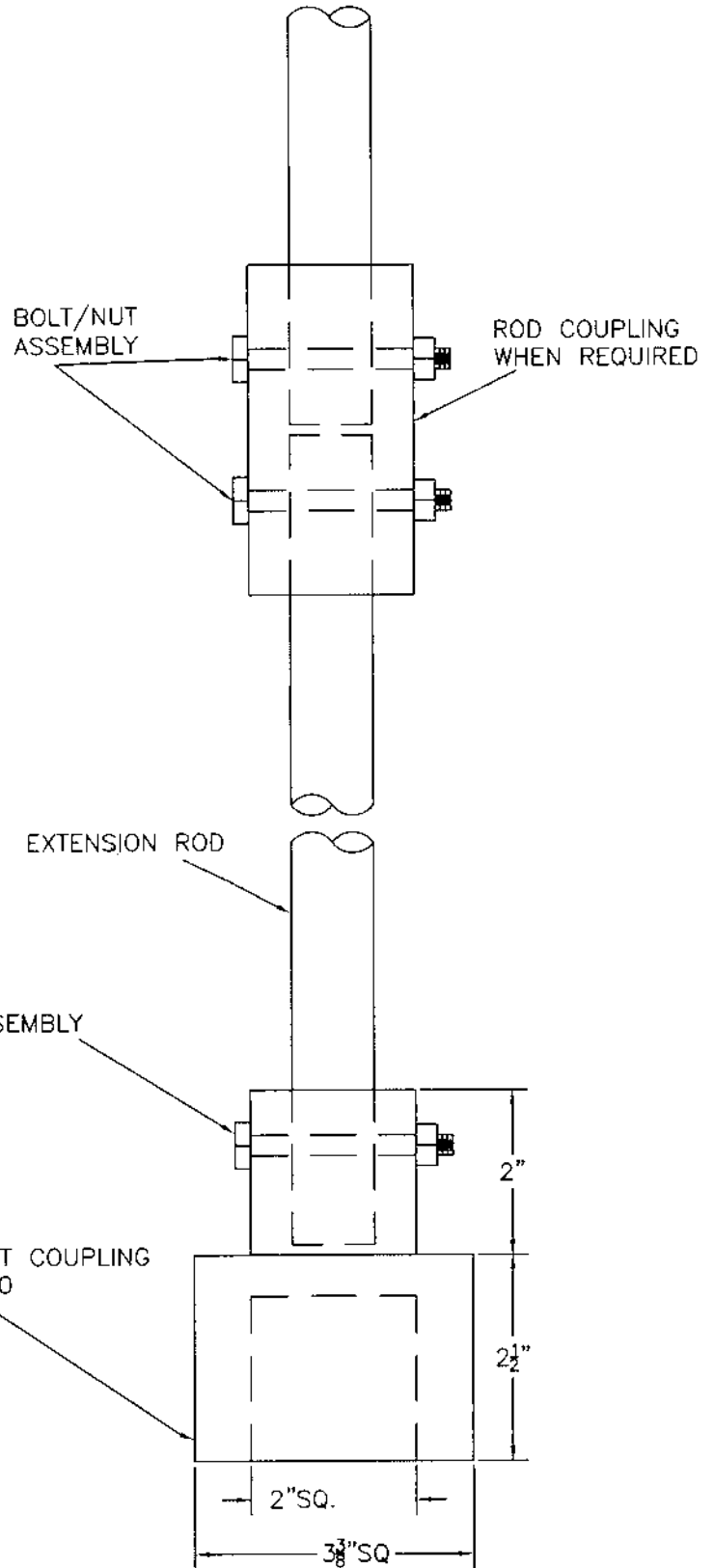
**Extension Stems**

Valve extension stems are available in steel, or bronze and are provided with a 2" square nut or handwheel as specified.

Extension stems are available for use with Mud valves, gate valves, Butterfly valves, etc.

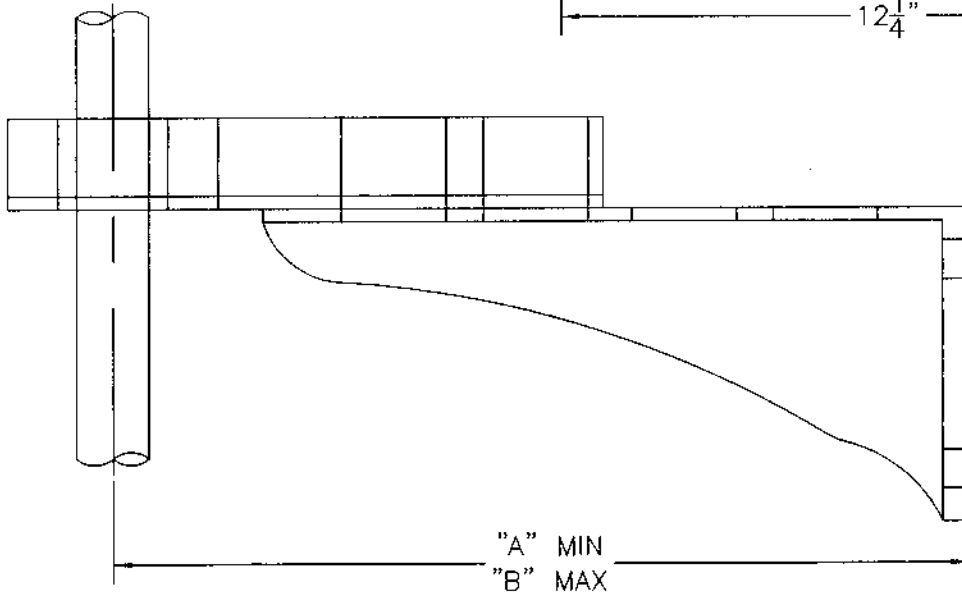
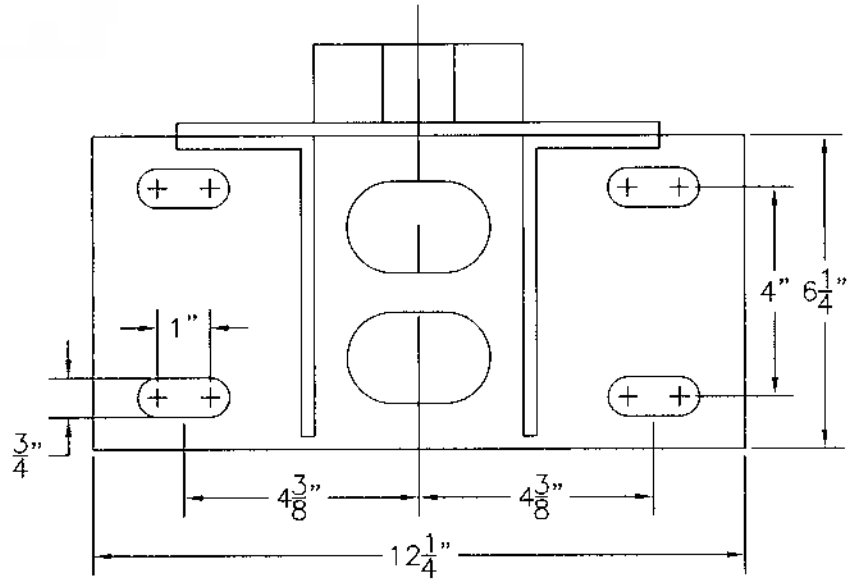
All components are jig drilled for interchangeability.

When ordering extension stem state length and give distance from bottom face of flange to top of handwheel or nut, or to base of floor stand.



**SIZE 3, 5 & 6 STEM GUIDE  
GENERAL DIMENSIONS**

KENNEDY VALVE



DIMENSIONS			
SIZE	3	5	6
A	2 1/2	15	24
B	17	24	35

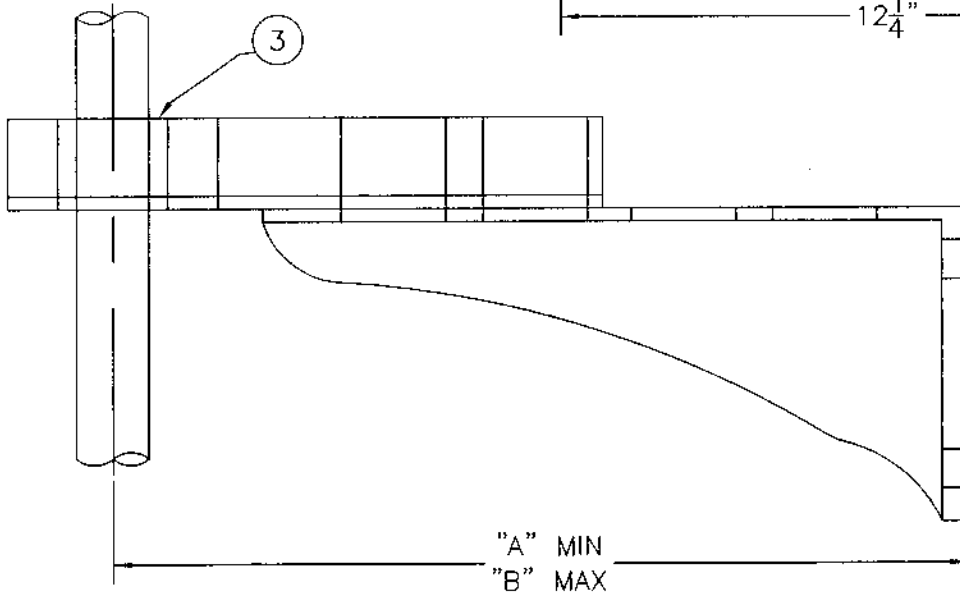
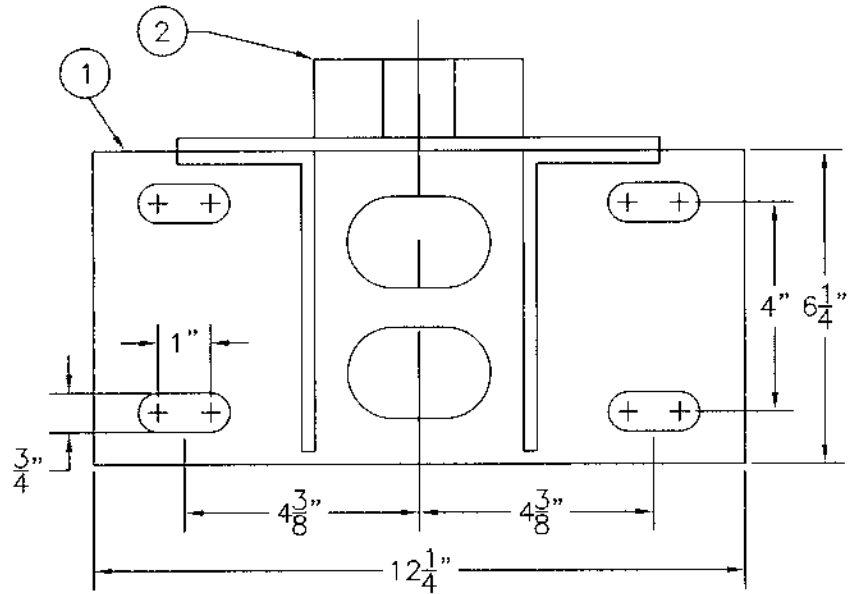
**SIZE 3, 5 & 6 STEM GUIDES  
PARTS LIST**

KENNEDY VALVE

**The F-5660-T Stem Guides**

Stem Guides are installed as wall brackets to support extension arms. They are fully adjustable and are made of high strength ductile iron. The guide is bronze bushed where the extension stem passes through. They should be installed at a height which does not permit the stem to be unsupported through a length or more that 10 feet.

Stem Guides are available in three sizes. When ordering state distance from center line of operating stem to face of wall, or give the size as shown



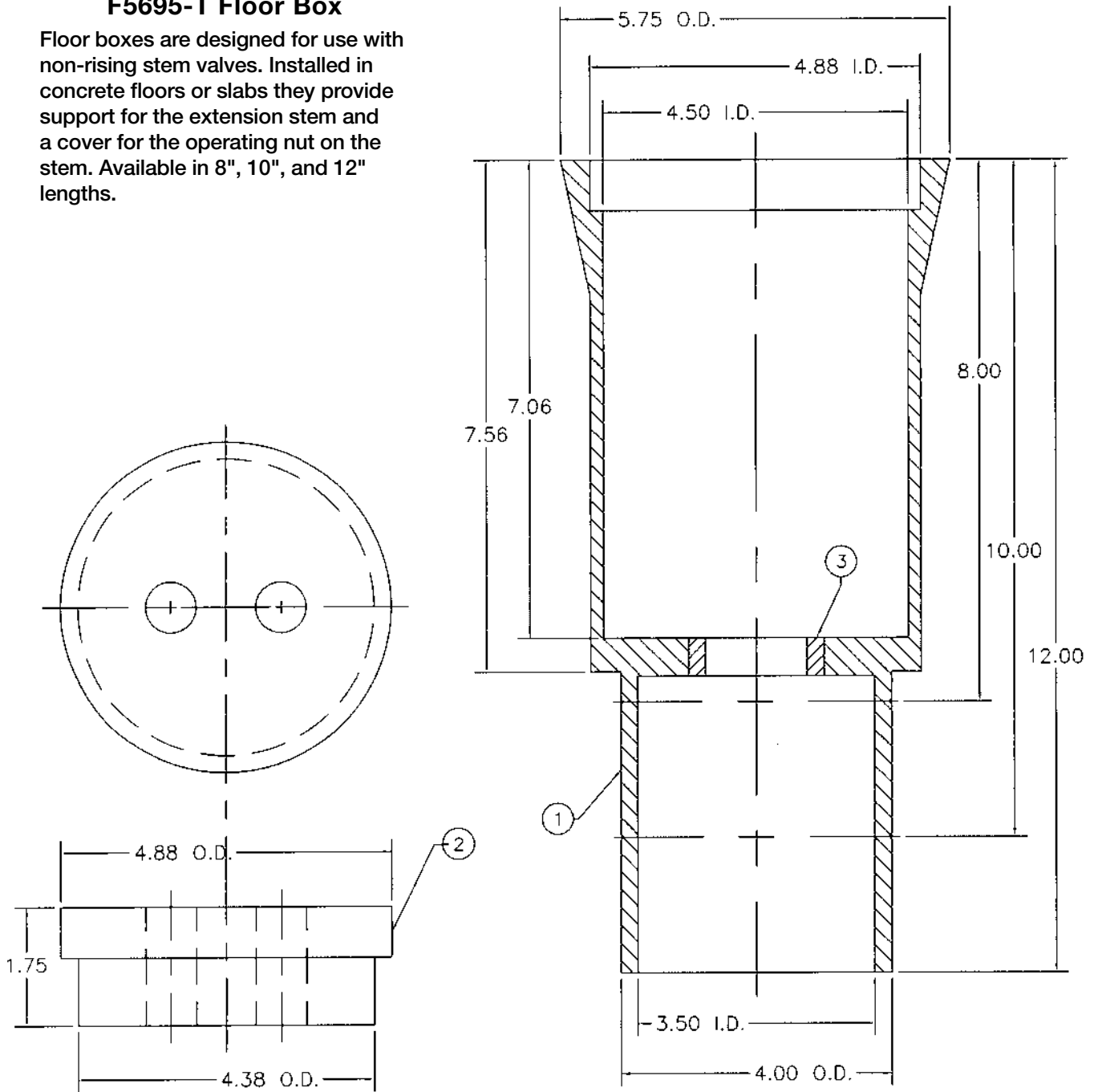
ITEM	DESCRIPTION	QTY.	MATERIAL
1	BRACKET	1	DUCTILE IRON 65.45.12 MIN.
2	GUIDE	1	DUCTILE IRON 65.45.12 MIN.
3	BUSHING	1	BRASS CDA 360
	ASSEMBLY BOLTS & NUTS	4 EA.	PLATED STEEL

# FLOOR BOX - PARTS LIST AND DIMENSIONS

KENNEDY VALVE

## F5695-T Floor Box

Floor boxes are designed for use with non-rising stem valves. Installed in concrete floors or slabs they provide support for the extension stem and a cover for the operating nut on the stem. Available in 8", 10", and 12" lengths.

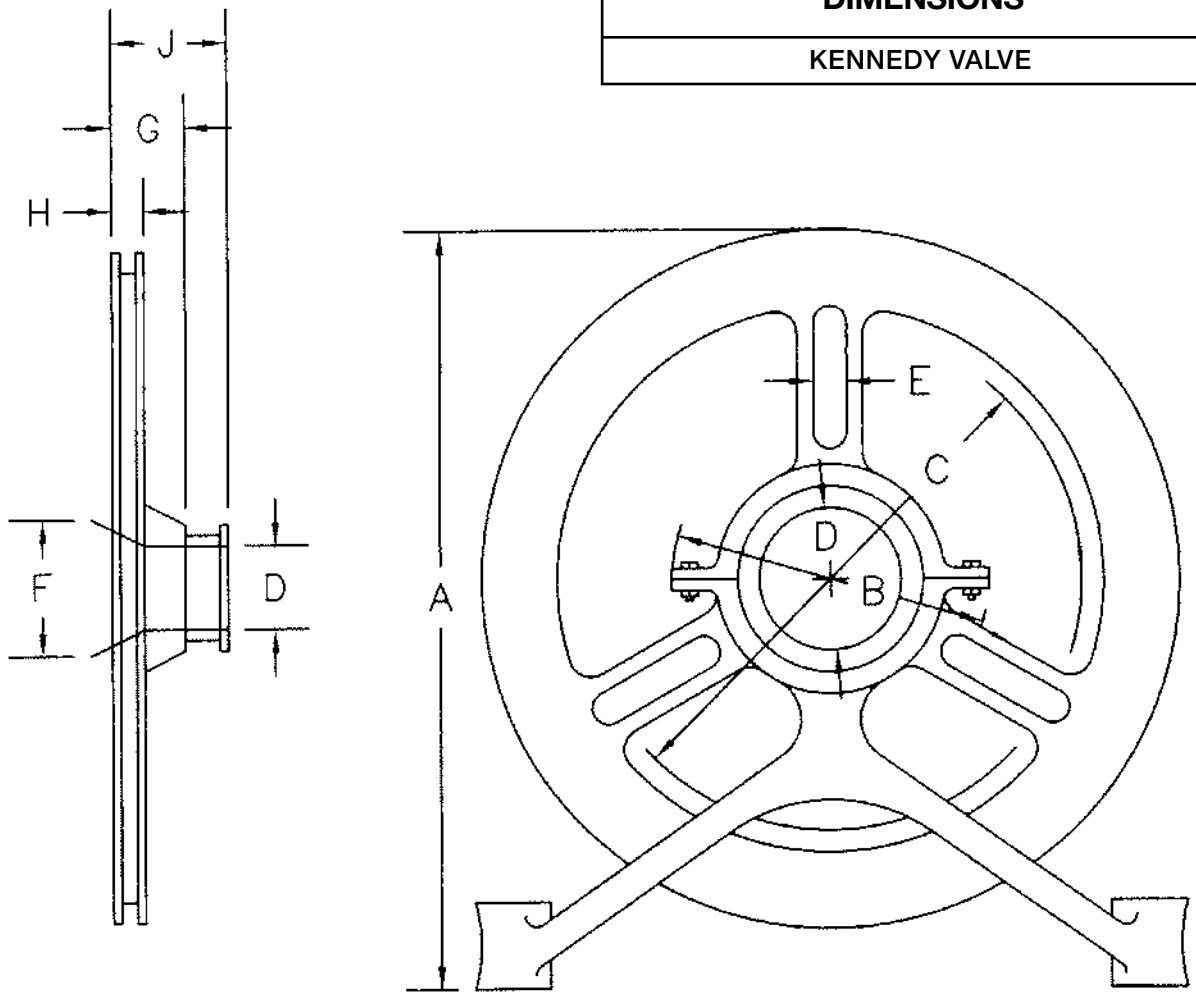


ITEM	DESCRIPTION	QTY.	MATERIAL
1	BODY	1	CAST IRON A126B
2	COVER	1	CAST IRON A126B
3	BUSHING	1	BRASS CDA 360



## CHAIN WHEEL DIMENSIONS

KENNEDY VALVE



### F-5680 Chain Wheels

Chain wheels are normally used for operation of valves located overhead. They are provided with chain guides to prevent the chain from slipping off the wheel. Chains can be furnished rust proof if specified. Chain wheels are mounted directly on the handwheel, and are of approximately the same diameter.

In ordering please state the distance from floor to center line of wheel, or give the exact number of feet of chain required.

Note: Furnished with Rust-Proof Lock Link Steel Chain

SPROCKET SIZE	1 1/2	2	2 1/2	3	3 1/2	4	4 1/2	5
A - Overall height	8	10 1/2	12 1/2	15 1/2	18 1/2	21 1/2	25 1/2	30
b - Inner Bolt Circle	3 1/2	4 1/2	5 1/2	8 1/2	12	12	16	19
c - Outer Bolt Circle	5	6 5/8	9 1/4	12 3/8	15 1/2	18	22	25 1/2
d - Hub Opening (dia.)	1	2 1/8	2 1/8	2 1/8	3	3	3	3
E - Slot Size (width)	3/8	3/8	7/16	7/16	7/16	5/8	5/8	5/8
F - Rear Opening	1 7/8	3 1/8	3 1/2	3 1/2	4 7/8	4 7/8	4 3/4	4 3/7
G - Hub Depth (shoulder to rear)	1 7/16	1 3/8	1 7/8	1 7/8	1 7/8	1 7/8	1 7/8	2
H - Rim Thickness	1 1/8	1 1/8	1 1/4	1 1/4	1 1/4	1 1/2	1 1/2	1 5/8
J - Overall Depth	2 3/8	2 3/8	2 5/8	2 5/8	3 1/8	3 1/8	3 1/8	3 1/8

SPECIFICATIONS				
Size No.	Diameter of sprocket wheel in inches	Weight in lbs.	Diameter of valve wheels rim will fit	Chain weight per 100' in lbs.
1 1/2	7 1/2	5	6 to 7 1/2	17 1/2
2	9	8	7 1/2 to 9	17 1/2
2 1/2	12 1/2	14	9 1/4 to 12 1/2	30
3	15 1/2	19	12 3/4 to 15 1/2	30
3 1/2	19	28	15 3/4 to 19	30
4	22	37	19 1/4 to 22	35
4 1/2	26	47	22 1/4 to 26	35
5	30	58	26 1/4 to 30	35



# **Kennedy Valve**

A DIVISION OF McWANE, INC.

[www.kennedyvalve.com](http://www.kennedyvalve.com)

1021 E. Water Street • Elmira, New York 14901  
P.O. Box 981  
PHONE: (607) 734-2211 • FAX: 1-800-952-4771