

CLOW CANADA

75 - 300 R/W VALVE NRS
 FLANGED x MECHANICAL JOINT ENDS
 GENERAL DIMENSIONS

PROJECT

OWNER

CONTRACTOR

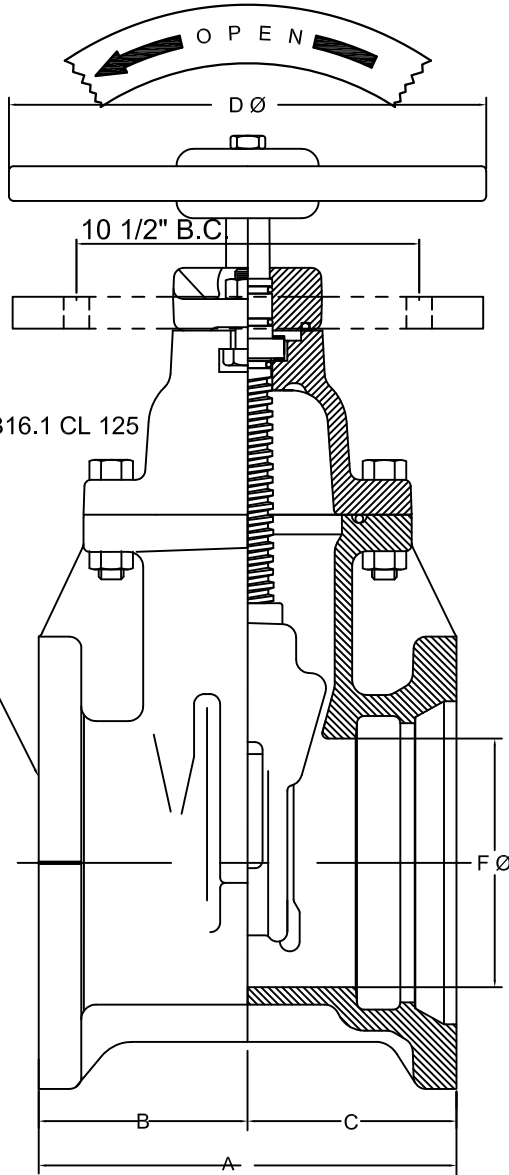
DISTRIBUTOR

CONSULTANT

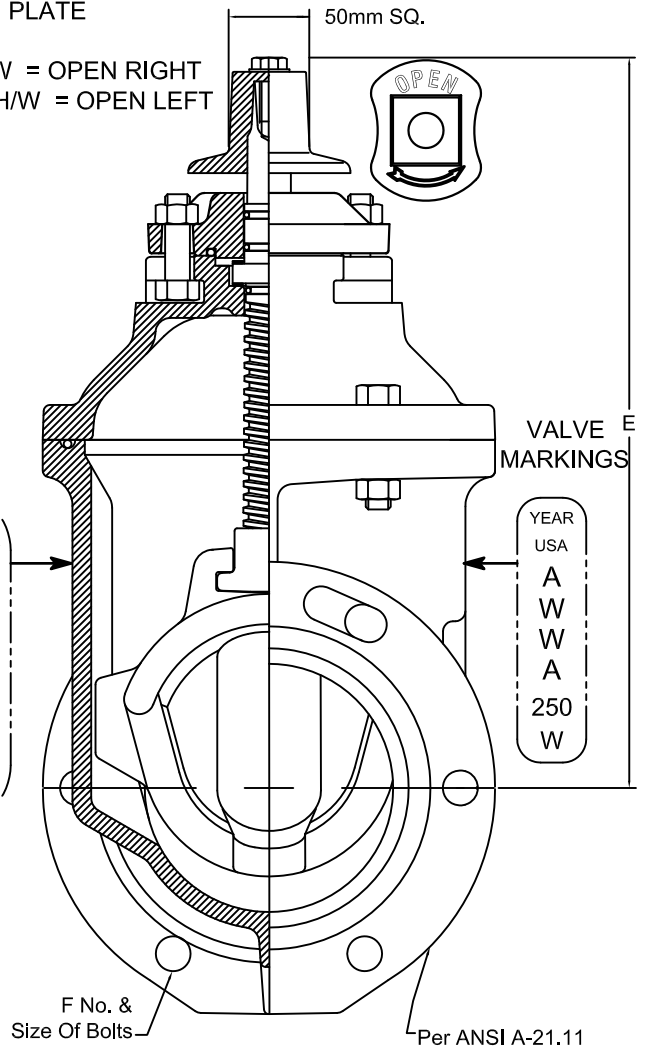
CLOW FIGURE F6106

CLOW MODEL 2640 AWWA C509 FULL WALL CAST IRON

CLOW MODEL 2639 AWWA C509 FULL WALL DUCTILE IRON



- OPTIONAL**
- 1) HANDWHEEL
 - 2) 2" OP. NUT & PI PLATE
 - 3) 2" OP. NUT
 - 4) RED NUT or H/W = OPEN RIGHT
 - 5) BLACK NUT or H/W = OPEN LEFT



Per ANSI B16.1 CL 125

VALVE MARKINGS

VALVE MARKINGS



METRIC DIMENSIONS							NUMBER OF TURNS	WEIGHT W/2" NUT	WEIGHT W/ HW	WEIGHT PI PLATE
VALVE SIZE	A	B	C	D	E	F				
75	210	100	108	250	315	75	10	—	—	—
100	235	115	120	250	375	108	13 1/2	86 lbs	93 lbs	102 lbs
150	265	133	133	300	480	160	19 1/2	140 lbs	149 lbs	156 lbs
200	313	145	165	350	570	210	25 1/2	210 lbs	222 lbs	226 lbs
250	362	165	195	450	675	260	31 1/2	358 lbs	377 lbs	374 lbs
300	380	175	200	450	760	310	37 3/4	436 lbs	455 lbs	452 lbs