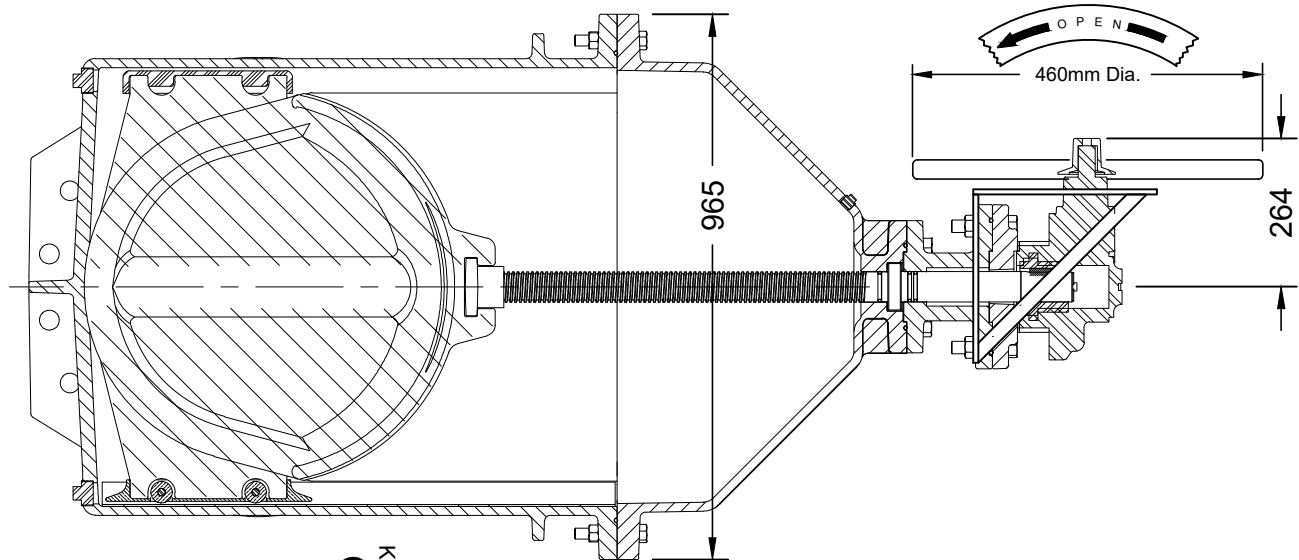
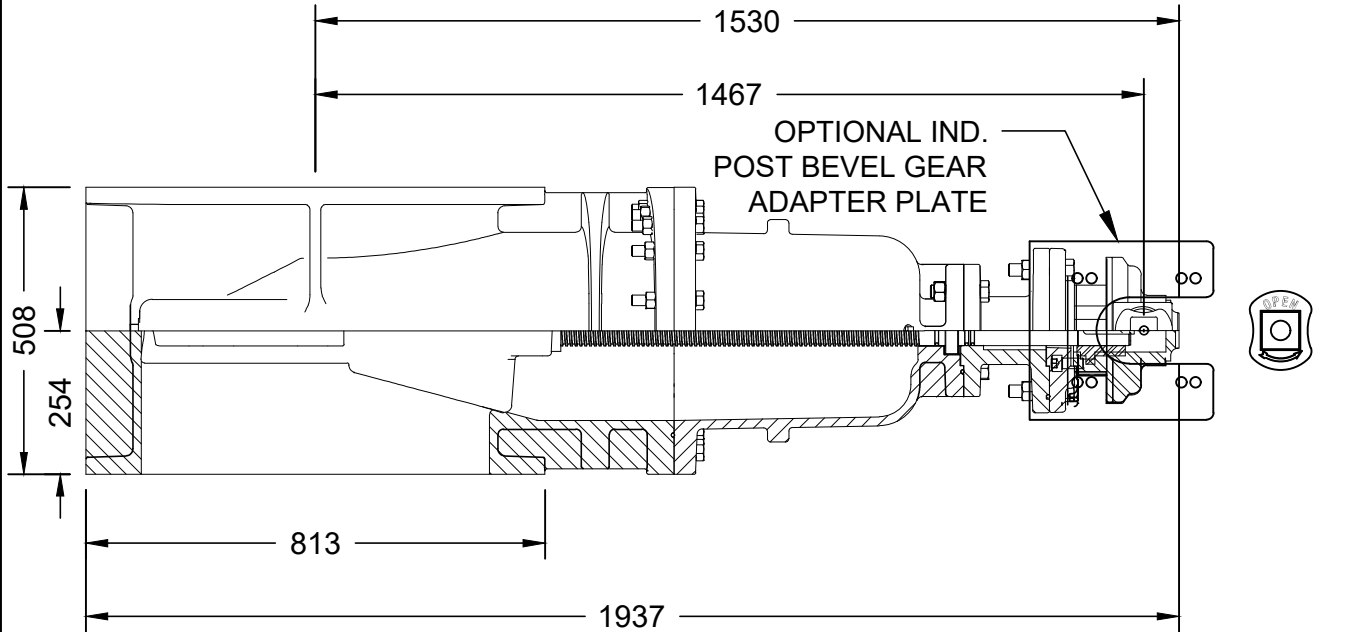


# CLOW CANADA

600mm R/W GV FLG END R.T.S.  
BEVEL GEAR  
GENERAL DIMENSIONS

PROJECT
OWNER
CONTRACTOR
DISTRIBUTOR
CONSULTANT

CLOW FIGURE NUMBER F-6102-BG  
CLOW MODEL 2638 AWWA C515  
REDUCED WALL DUCTILE IRON



24  
CLOW  
2638  
M&H  
KENNEDY  
DI  
C515  
USA  
A W W A W W  
A W W  
250  
W

### OPTIONAL

- 1) HANDWHEEL
- 2) 1=2" OP. NUT & I.P. PLATE
- 3) 2" OP. NUT
- 4) RED NUT or H/W = OPEN RIGHT
- 5) BLACK NUT or H/W = OPEN RIGHT

NUMBER of TURNS W/ GEAR	WEIGHT W/2" NUT	WEIGHT W/HW	WEIGHT W/BG ADAPT. PLATE
228	1732 lbs	1750 lbs	1760 lbs

ALL DIMENSIONS IN MILLIMETERS