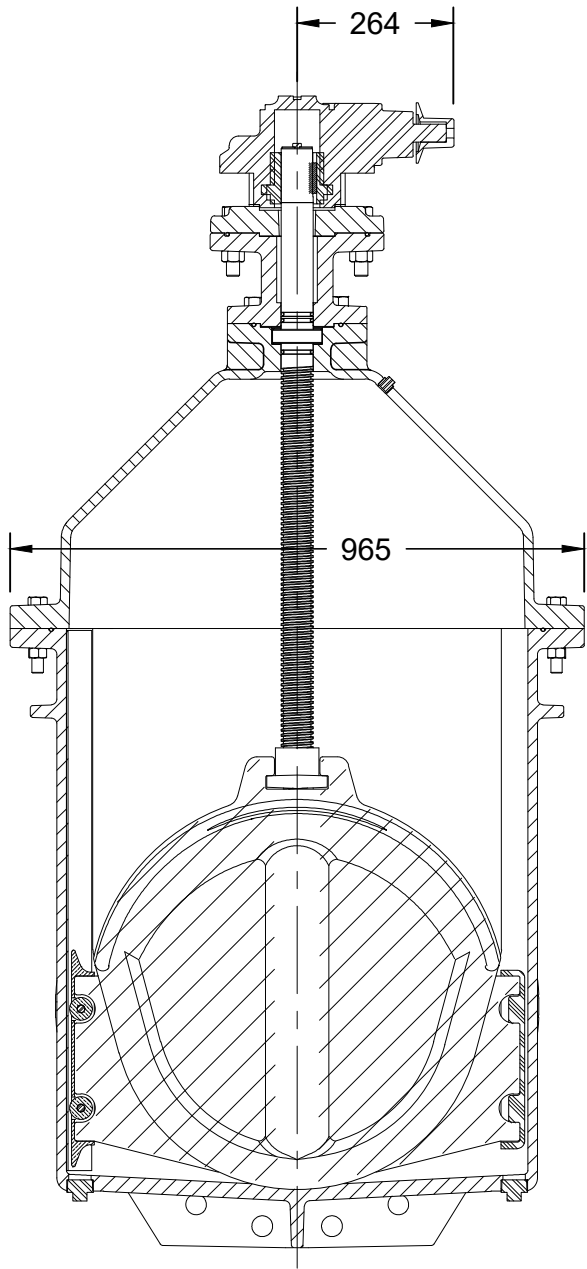
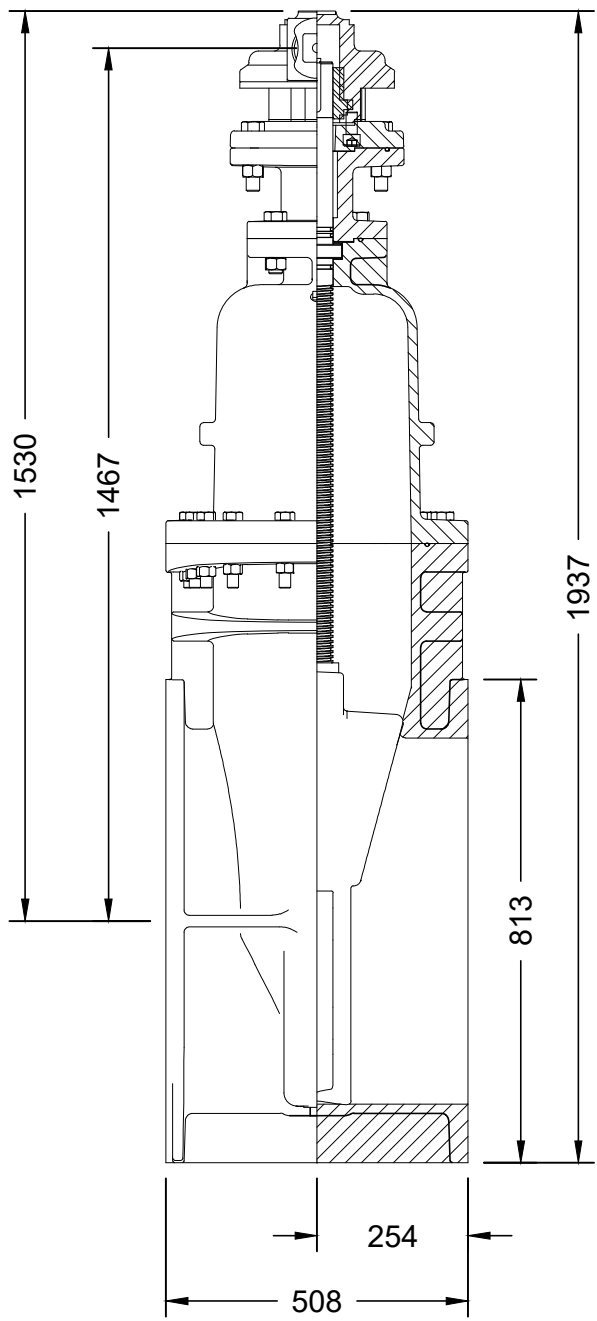


PROJECT
OWNER
CONTRACTOR
DISTRIBUTOR
CONSULTANT

600mm R/W GV FLG RTS
 BEVEL GEAR METRIC DIMENSIONS
 MODEL F6102
CLOW CANADA

VALVES AVAILABLE OPEN
 CCW (left)
 or
 CW (right)
 VALVES ARE FULL PORT



ALL DIMENSIONS IN MILLIMETERS