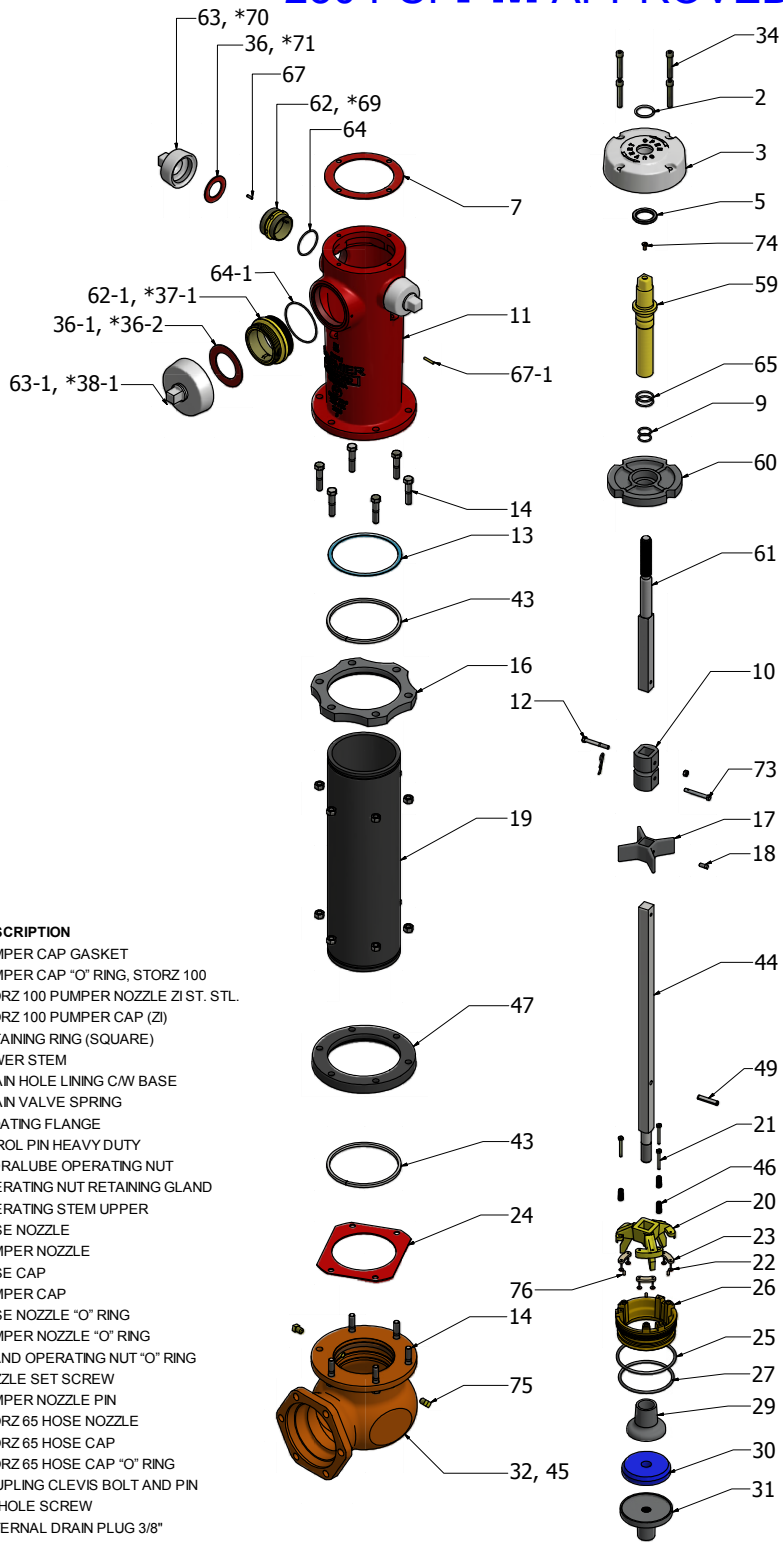
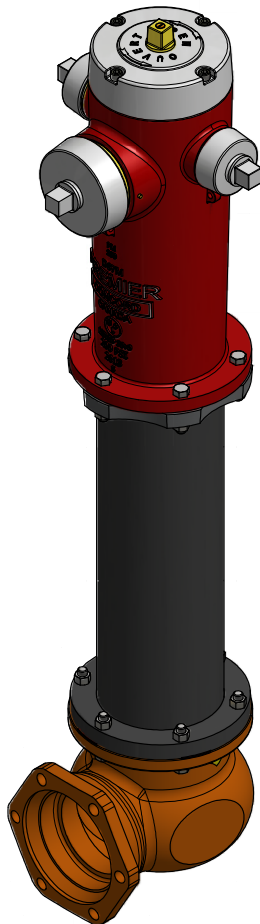


250 PSI **FM** APPROVED



- DESCRIPTION**
- 2 BONNET OPERATING NUT "O" RING
 - 3 BONNET
 - 5 OPERATING NUT BEARING
 - 7 BONNET GASKET
 - 9 HOUSING OPERATING NUT "O" RING
 - 10 BREAK COUPLING
 - 11 HYDRANT BODY
 - 12 HEX HEAD BOLT & NUT (COUPLING)
 - 13 HYDRANT BODY RING GASKET
 - 14 HEX HEAD BOLT & NUT (INTERSECTION))
 - 16 BREAKING FLANGE
 - 17 STEM GUIDE
 - 18 STEM GUIDE SET SCREW
 - 19 INTERMEDIATE SECTION
 - 20 DRAIN VALVE TRIPOD
 - 21 DRAIN VALVE SCREW
 - 22 DRAIN VALVE RIVET
 - 23 DRAIN VALVE RUBBER
 - 24 INTERMEDIATE GASKET
 - 25 M.V. SEAT UPPER "O" RING
 - 26 MAIN VALVE SEAT
 - 27 M.V. SEAT LOWER "O" RING
 - 29 VALVE CARRIER
 - 30 MAIN VALVE RUBBER or BLUE POLY
 - 31 LOWER VALVE PLATE
 - 32 BASE (STATE INLET REQUIRED)
 - 34 BONNET ALLEN SCREW
 - 36 HOSE CAP GASKET

- DESCRIPTION**
- 36-1 PUMPER CAP GASKET
 - *36-2 PUMPER CAP "O" RING, STORZ 100
 - *37-1 STORZ 100 PUMPER NOZZLE ZI ST. STL.
 - *38-1 STORZ 100 PUMPER CAP (ZI)
 - 43 RETAINING RING (SQUARE)
 - 44 LOWER STEM
 - 45 DRAIN HOLE LINING C/W BASE
 - 46 DRAIN VALVE SPRING
 - 47 FLOATING FLANGE
 - 49 SPIROL PIN HEAVY DUTY
 - 59 HYDRALUBE OPERATING NUT
 - 60 OPERATING NUT RETAINING GLAND
 - 61 OPERATING STEM UPPER
 - 62 HOSE NOZZLE
 - 62-1 PUMPER NOZZLE
 - 63 HOSE CAP
 - 63-1 PUMPER CAP
 - 64 HOSE NOZZLE "O" RING
 - 64-1 PUMPER NOZZLE "O" RING
 - 65 GLAND OPERATING NUT "O" RING
 - 67 NOZZLE SET SCREW
 - 67-1 PUMPER NOZZLE PIN
 - *69 STORZ 65 HOSE NOZZLE
 - *70 STORZ 65 HOSE CAP
 - *71 STORZ 65 HOSE CAP "O" RING
 - 73 COUPLING CLEVIS BOLT AND PIN
 - 74 OIL HOLE SCREW
 - *75 EXTERNAL DRAIN PLUG 3/8"
 - *76 INTERNAL DRAIN PLUG 1/4"

*OPTIONAL PARTS



CLOW CANADA - D-67M PREMIER FIRE HYDRANT SPECIFICATION

TESTING AND DESIGN SPECIFICATIONS (PER AWWA C502)

1. Hydrant shall be manufactured in accordance with AWWA C502 latest revision
2. Hydrant shall be designed for 250 *PSI* working pressure and tested to 500 *PSI* hydrostatic pressure.
3. Hydrant shall be rated for 250 *PSI*. **FM** working pressure and 200 *PSI*. **ULC** working pressure.
4. Hydrant shall be a compression type, dry barrel design with centre operating stem construction.
5. The O-ring seating surface on the upper stem shall be constructed of stainless steel.
6. Epoxy coating to be applied to interior and exterior of hydrant shoe for corrosion protection.
7. Hydrant shall be manufactured with operating nut and integral thrust collar made of bronze. Delrin washer bearing shall be located above thrust collar for ease of hydrant operation.
8. Hydrant shall have a lower valve assembly that fully encapsulates the lower operating rod threads. This allows for increased corrosion resistance and ease of disassembly.
9. Intermediate section shall be ductile iron. (AWWA C110 – 08)

STANDARD HYDRANT FEATURES

1. Body style: Round
2. Hydrant shall have an internally lubricated bronze operating nut with O-ring seals. Operating nut shall be of the Hydra-lube™ design to ensure self lubrication during operation.
3. Hydrant hose nozzles shall be mechanically locked into place by an external allen screw, and have O-ring seals.
4. Hydrant Lower rod shall be 1-1/4" in sq.
5. Hydrant shall have a main valve opening of 5".
6. Hydrant shall be a traffic model, complete with safety flanges and stem coupling. Upper body can be rotated 360 degrees to adjust pumper direction.
7. Hydrant shall be manufactured with a lower valve plate that bottoms out in the shoe for maximum opening.
8. Hydrant shall be backed by manufacturer's 12 year limited warranty
9. Hydrant shall be the D67M Premier as manufactured by Clow Canada.

McAvity

CLOW

A division of Canada Pipe Company Ltd.

CONCORD

OPTIONAL HYDRANT FEATURES

1. a) 2 hose one pumper upper body or b) 2 hose upper body
2. AVAILABLE INLETS:
 - 150mm (6") Mechanical Joint (ANSI A-21.11)
 - 150mm (6") flanged (ANSI B16.1 Class 125)
 - 150mm (6") Tyton (AWWA C110)

3. All standard inlets available in CAST IRON ASTM A126 Class B
Or Ductile Iron ASTM A536 (65-45-12)
4. Hydra-lube operating nut – see standard shapes on submittal drawing
5. Two 65mm (2.5") hose nozzles - threads on nozzle ends to suit national, provincial or municipal standard or STORZ quick connect
6. One 113mm (4.5") pumper nozzle - threads on nozzle ends to suit national, provincial or municipal standard
7. 100mm (4") or 125mm (5") STORZ quick connect pumper nozzle
8. Nozzle caps to suit – see standard shapes on submittal drawing
9. Two external .375" NPT plugs in inlet @ 180 degrees / one internal .25" NPT plug

10. Hose & pumper nozzle cap chains
11. Hydrants painted to suit national, provincial or municipal standard.

McAvity

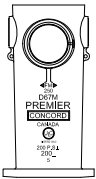
CLOW

A division of Canada Pipe Company Ltd.

CONCORD

CLOW CANADA - D67M-P PREMIER HYDRANT - 250 PSI FM APPROVED

HYDRANT BODY STYLES



2 HOSE 1 PUMPER BODY



2 HOSE BODY

5/8"-5 SIDED
(1 1/8" - P)



1 1/2" R - 3 SIDED

7/8"-5 SIDED
(1 3/8" - P)

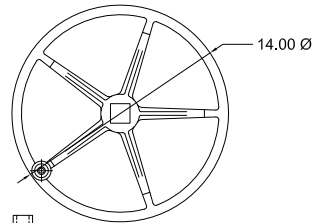


1 1/4" SQ.

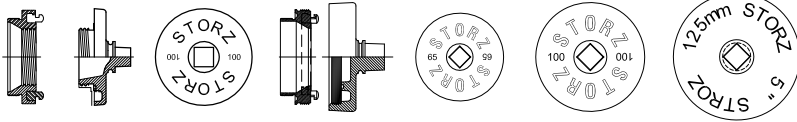
1"-5 SIDED
(1 1/2" - P)



AVAILABLE OPERATING NUTS



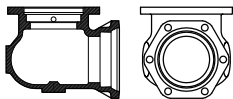
OPTIONAL HANDWHEEL & SPINNER



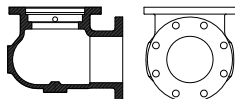
STORZ OPTIONS

STORZ 65mm HOSE NOZZLE, STORZ 100mm PUMPER NOZZLE, STORZ 125mm PUMPER NOZZLE & STORZ 100mm 316 STAINLESS STEEL

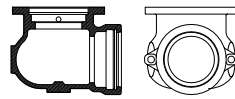
AVAILABLE HYDRANT END CONNECTIONS



6" M.J. CAST IRON ELBOW

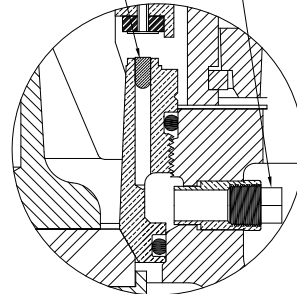


6" FLANGED CAST IRON ELBOW



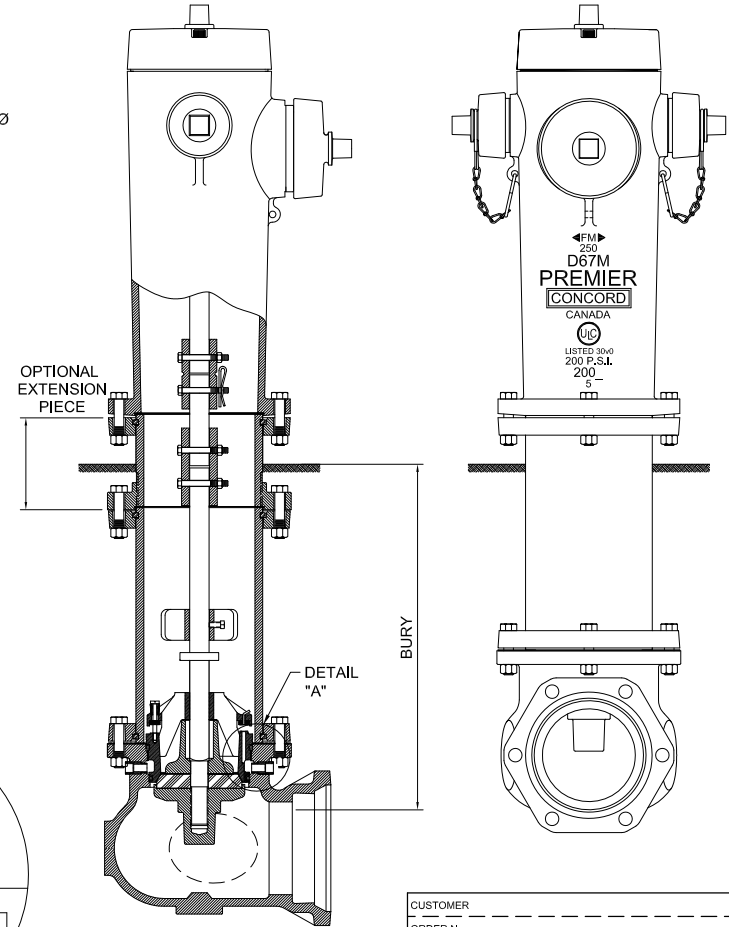
6" FLANGED CAST IRON ELBOW

PERMANENT 3/8" SQUARE HEAD BRASS PIPE PLUG (2) FACTORY INSTALLED
REMOVABLE / INSERTABLE 1/4" DIA. BRASS PLUG



METHOD OF PLUGGING DRAIN HOLE IN MAIN VALVE SEAT / INLET

DETAIL "A"



CUSTOMER	-----
ORDER No.	-----
QUOTE No.	-----
JOB	-----
D67M-P "PREMIER" " COMPRESSION TYPE HYDRANT	
CLOW CANADA	
JULY 2013	DWG. No. McM-551505

CLOW CANADA

D67M-P PREMIER HYDRANT MATERIAL LIST

REF No	DESCRIPTION	MATERIAL	REF No	DESCRIPTION	MATERIAL
2	BONNET OPERATING NUT O RING	BUNA N	41	PUMPER NOZZLE CHAIN & S HOOK	STEEL Z.P.
3	BONNET	CAST IRON	43	RETAINING RING (SQUARE)	MILD STEEL W/ZINC PLATING
5	OPERATING NUT BEARING	DELRIN	44	LOWER STEM	STEEL
7	BONNET GASKET	RED RUBBER	45*	DRAIN HOLE LINING	BRASS
9	HOUSING OPERATING NUT O RING	BUNA N	46	DRAIN VALVE SPRING	STAINLESS STEEL
10	BREAKING COUPLING	CAST IRON	47	FLOATING FLANGE	CAST IRON
11	BODY	CAST IRON	48	THREADED FLANGE	CAST IRON
12	HEX HEAD BOLT & NUT (COUPLING)	STEEL Z.P. GR. 5	49	SPIROL PIN HEAVY DUTY	STAINLESS STEEL
13	BODY GASKET	FIBRE NON ASBESTOS	50**	GUIDE PLATE ASSEMBLY	STEEL
14	HEX HEAD BOLT & NUT (INTERSECTION))	STEEL Z.P. GR. 5 / 18-8 SS	51**	INTERIOR WRENCH	STEEL
16	BREAKING FLANGE	CAST IRON	52	INTERSECTION EXTENSIOIN	DUCTILE IRON
17	STEM GUIDE	CAST IRON	55*	SEAT RING	BRONZE
18	STEM GUIDE SET SCREW	STEEL Z.P.	57	ALIGNMENT EXTENSION COUPLING	CAST IRON
19	INTERMEDIATE SECTION	DUCTILE	59	HYDRALUBE OPERATING NUT	BRONZE
20	DRAIN VALVE TRIPOD	BRONZE	60	OPERATING NUT RETAINING GLAND	CAST IRON
21	DRAIN VALVE SCREW	BRASS	61	OPERATING STEM UPPER	STAINLESS STEEL
22	DRAIN VALVE RIVET	COPPER	62	HOSE NOZZLE	BRONZE
23	DRAIN VALVE RUBBER	GUM RUBBER	62-1	PUMPER NOZZLE	BRONZE
24	GASKET	RED RUBBER	63	HOSE CAP	CAST IRON
25	UPPER "O" RING	BUNA-N	63-1	PUMPER CAP	CAST IRON
26	VALVE SEAT	BRONZE	64	HOSE NOZZLE "O" RING	BUNA-N
26-1	VALVE SEAT (OPTIONAL)	BRONZE	64-1	PUMPER NOZZLE "O" RING	BUNA-N
27	LOWER "O" RING	BUNA-N	64	GLAND OPERATING NUT "O" RING	BUNA-N
29	VALVE CARRIER	CAST IRON	67	NOZZLE SET SCREW	STAINLESS STEEL
30	VALVE RUBBER	POLYURETHANE OR RUBBER	67-1	PUMPER NOZZLE PIN	BRASS
31	LOWER VALVE PLATE	CAST IRON	69	STORZ 65 HOSE NOZZLE	BRONZE
32 *	BASE (STATE INLET REQUIRED)	CAST IRON	70	STORZ 65 HOSE CAP	CAST IRON
34	BONNET ALLEN SCREW	STAINLESS STEEL	71	STORZ 65 HOSE CAP "O" RING	BUNA-N
36	HOSE CAP GASKET	RED RUBBER	72	INTER EXTENSION STEM	STEEL
36-1	PUMP[ER CAP GASKET	RE D RUBBER	73	SPLIT COUPLING CLEVIS BOLT AND PIN	STEEL Z.P.
36-2	PUMPER CAP "O" RING, STORZ 100	BUNA-N	74	OIL HOLE SCREW	BRASS
37-2	PUMPER NOZZLE STORZ 100 (INT. THREAD)	STAINLESS STEEL	75	ZINC ANODE	A.S.T.M. B 418-80 TYPE 1
37-2	PUMPER NOZZLE STORZ 100	BRONZE			
38-1	PUMPER CAP STORZ 100 (INT. THREAD	CAST IRON			
38-2	PUMPER CAP STORZ 100	CAST IRON			
40	HOSE NOZZLE CHAIN & S HOOK	STEEL Z.P.			

* PERMANENTLY ASSEMBLED PARTS SUPPLIED WITH ELBOW REF. No. 44

** SUPPLIED AS ASSEMBLY ONLY