

SPECIFICATIONS STYLE NUMBERS (3"-36")

**M&H AWWA C508 FLANGED "CUSHION" CHECK VALVES**

- ◆ Style 206
- ◆ Sizes 3" Through 36"
- ◆ Water / Sewage Service

Size Range	Water Working Pressure psi	Seat Test Psi	Hydrostatic Shell Test psi
AWWA 3" – 12"	200	400	400
AWWA 14"-36"	150	300	300

<u>Type / Facing Material / Options</u>	<u>Size Range</u>	<u>Style Number</u>
<b>3"- 36" CUSHION CHECK VALVES</b>		
Horizontal Flow—Rubber Faced	3"-12"	206HA
Horizontal Flow—Bronze Faced	3"-12"	206H
Horizontal Flow—Rubber Faced	14"-30"	206HA
Horizontal Flow—Rubber Faced—With Limit Switch	4"-12"	206HALS
Horizontal Flow—Bronze Faced—With Limit Switch	4"-12"	206HLS
Vertical Flow—Rubber Faced	4"-12"	206VA
Vertical Flow—Bronze Faced	4"-12"	206V
Vertical Flow—Rubber Faced	14"-30"	206VA

\*Note Vertical Flow Cushion Check Valves are not recommended for sewer applications

\*\*Consult factory for proper drawing for particular application

\*\*\*Cushion Checks have lever and weight and a pneumatic cylinder arrangement

## GENERAL

# M&H AWWA C508 FLANGED “CUSHION” CHECK VALVES

- ◆ Style 206
- ◆ Sizes 3” Through 36”
- ◆ Water / Sewage Service

If possible, it is preferable to eliminate water hammer. The best way to eliminate water hammer is in the design of the piping system. For most cases where water hammer exists it is preferable to reduce its effects by causing the check valve to close so quickly that the flow is not able to reverse. M&H valve makes a Style 706 Wafer Check Valve that is intended as an Anti-water hammer valve. M&H Valve also has available lever and weight and lever and spring arrangements on the 259-02 and 259-02 check valve.

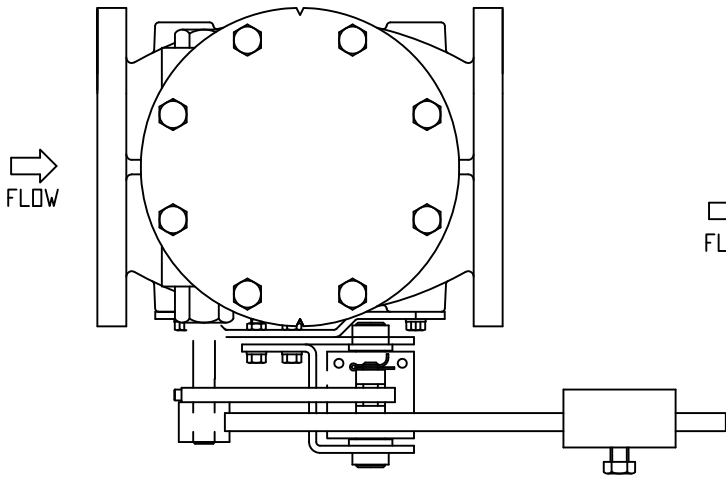
In some cases the customer may want an arrangement that retards the closing of the check valve. The customer may want such an arrangement for those cases where the water column actually has an opportunity to reverse or even separate, such as might occur when the check valve is not at the lowest elevation in the system.

For those customers, M&H valve makes available the Style 206 Cushion Check Valve. The Style 206 Cushion Check Valve is a Style 159-02 (lever & weight) with a pneumatic cylinder arrangement. The pneumatic cylinder has a needle valve that allows the customer to adjust the time required for the valve to close.

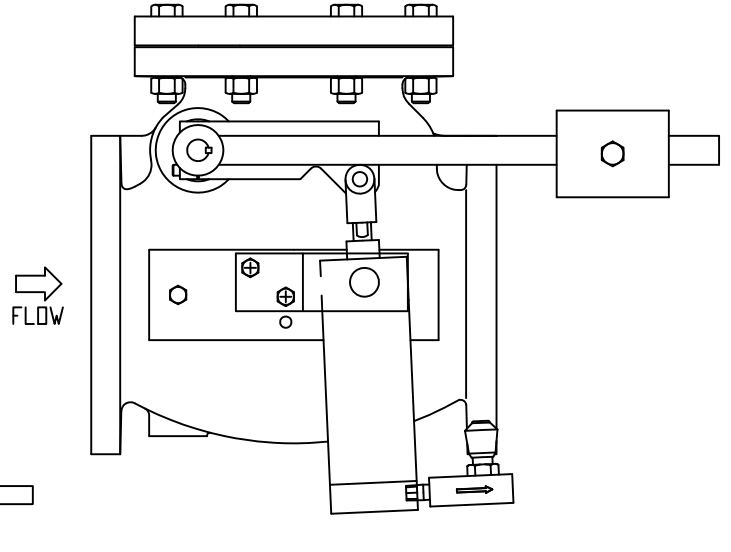
The Style 206 Check Valve may be ordered from the factory either as flow horizontal or flow vertical. The cylinder arrangement is available mounted on either side. Unless specified the Style 206 valve will be supplied with the cylinder on the right side (when facing the inlet) and for horizontal flow.

The Style 206 has internal components identical to the style 159-02 except that the hinge pin is made from heat-treated, type 431 stainless steel and is unique to the Style 206.

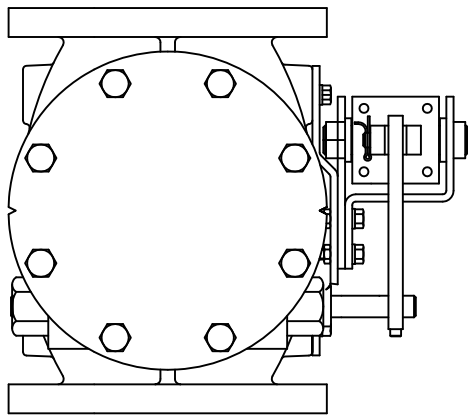
M&H Swing Check valves are widely specified by engineers and operating personnel. They are well proportioned and sturdily constructed.



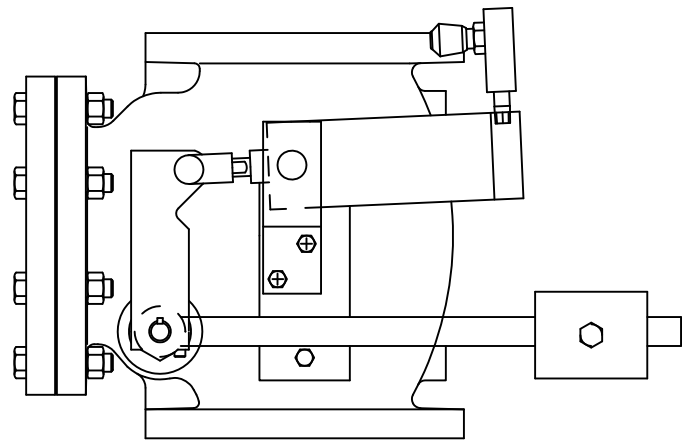
HORIZONTAL MOUNTING  
FRONT VIEW



HORIZONTAL MOUNTING  
RIGHT SIDE VIEW



FLOW UP  
VERTICAL MOUNTING  
FRONT VIEW



FLOW UP  
VERTICAL MOUNTING  
RIGHT SIDE VIEW

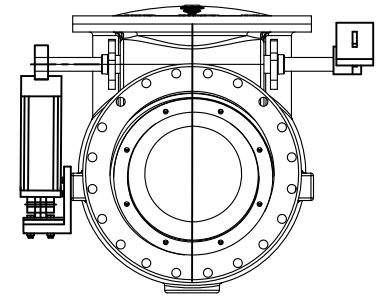
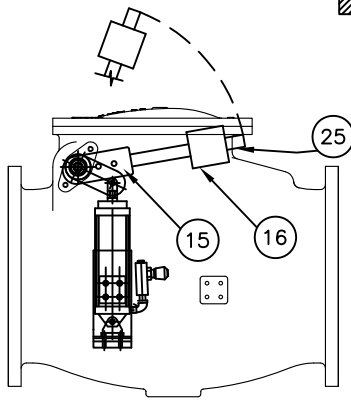
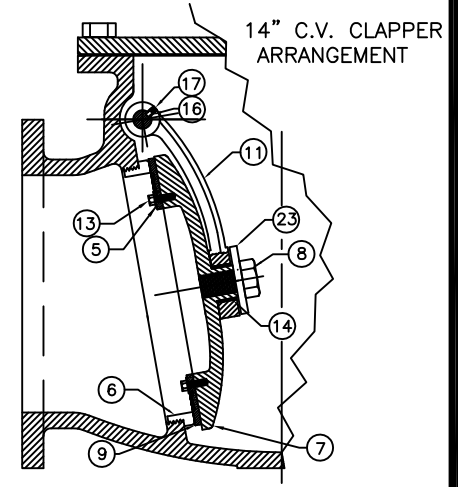
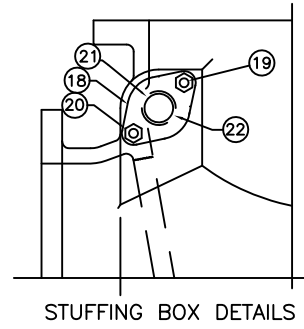
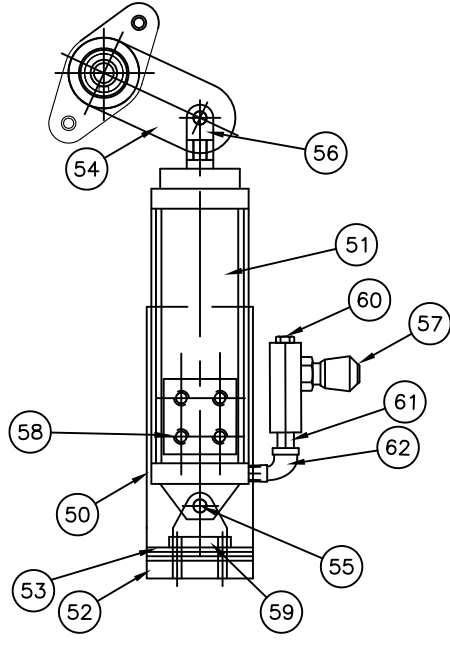
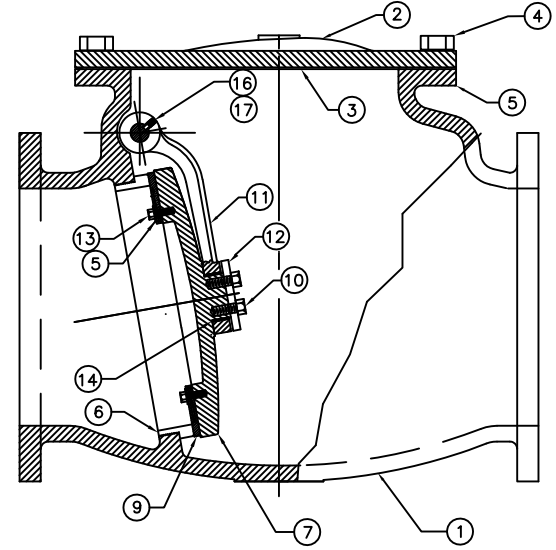
M&H VALVE COMPANY  
ANNISTON, ALABAMA  
A DIVISION OF MCWANE INC.

DWN: TRIJ  
DATE: 9/1/12  
DWG. NO.  
CCV-3

3" THRU 12"  
CUSHION CHECK VALVE  
STYLE 206

ASSEMBLY		
ITEM NO.	DESCRIPTION	MATERIAL
1	BODY - F.E.	D.I. GR. 70-50-05 ASTM 536 OR 65-45-12 ASTM 536
2	COVER	D.I. GR. 70-50-05 ASTM 536 OR 65-45-12 ASTM 536
3	COVER ORING	BUNA "N" DUROMETER 70 APPROVED
4	COVER BOLTS	ASTM A-307 GR. B, OR A EZ PLATED
5	WASHER, FLAT	18-8 STAINLESS STEEL
6	BODY RING	BRONZE CDA 84400 - ASTM 584
7	CLAPPER	D.I. GR. 70-50-05 ASTM 536 OR 65-45-12 ASTM 536
8	HEX BOLT CAP PLATE (14" ONLY)	18-8 STAINLESS STEEL
9	ENCAPSULATED RUBBER CLAMP RING	NEOPRENE ASTM D2000-5BC-413-A14-B14-E034
10	HEX BOLT CAP PLATE (16"~30" ONLY)	SILCON BRONZE
11	CLAPPER ARM	D.I. GR. 70-50-05 ASTM 536 - POWDER COAT
12	CLAPPER CAP PLATE (16"~30" ONLY)	ASTM B-132 ALLOY A/COPPER ALLOY 864
13	HEX BOLT CLAMP RING (14"~30" ONLY)	18-8 STAINLESS STEEL
14	CLAPPER ARM BUSHING	BRASS TUBING-C26000/C33000/BRONZE 36000/C93200
15	HINGE PIN	STAINLESS STEEL ASTM A564-630-H1150
16	CLAPPER ARM KEY	304 STAINLESS STEEL
17	SET SCREW	ALLOY STEEL (RC 45-53)
18	STUFFING BOX GLAND	C.I. ASTM A126 CL. B OR D.I. ASTM A536 GR. 70-50-05
19	STUD	STEEL ASTM A307, EZ PLATED
20	HEX NUT	NAVAL BRASS ASTM B-21 COPPER ALLOY 464
21	STUFFING BOX BUSHING	BRONZE ALLOY CDA 84400/83600, ASTM B-584
22	PACKING	MULTI-LOK BRAID STYLE ML2254 PTFE
23	CLAPPER CAP PLATE (14" ONLY)	STEEL A36 - POWDER COATED

16" ~ 36" C.V. CLAPPER ARRANGEMENT



14-36" CUSHION CHECK

50	*	BRACKET CAPSCREW	STEEL
51	1	AIR CUSHION	PURCHASED PART
52	1	BASE PLATE	STEEL
53	*	BASE PLATE BOLTS/SHIMS	STEEL
54	1	AIR CUSHION ARM	DUCTILE IRON
55	1	PIN	STEEL
56	1	ROD EYE	STEEL
57	1	CONTROL VALVE	PURCHASED PART
58	1	CAP SCREW	STEEL
59	1	EYE BRACKET	STEEL
60	1	BREATHER VENTS	PURCHASED PART
61	1	NIPPLE	STEEL
62	1	90 DEGREE ELBOW	MALLEABLE IRON

\* VARIES

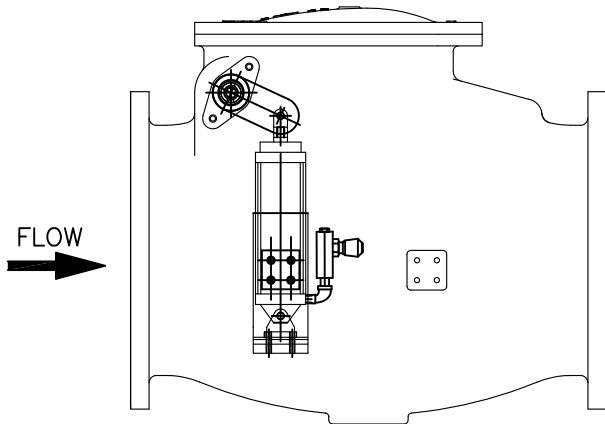
LEVER & WEIGHT FOR CUSHION CHECK

15	1	WEIGHT LEVER ARM	DUCTILE IRON
16	1	WEIGHT	STEEL
25	1	WEIGHT ARM BAR	CR STEEL C-1018/1020

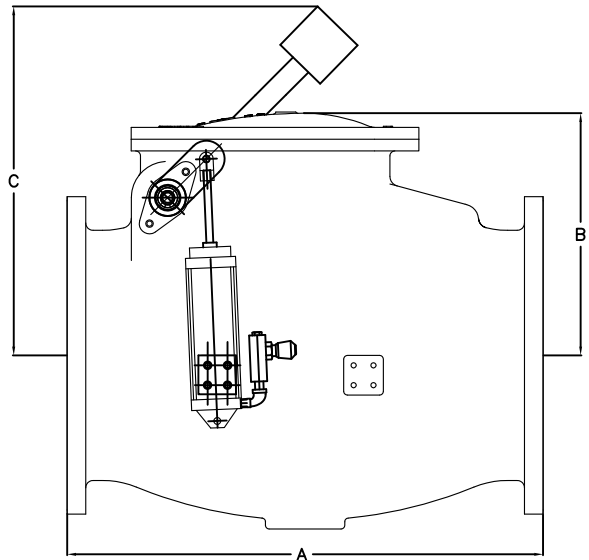
M&H VALVE COMPANY  
ANNISTON, ALABAMA  
A DIVISION OF MCWANE INC.

DWN: TRIJ  
DATE: 9/1/12  
DWG. NO.  
CCV-6

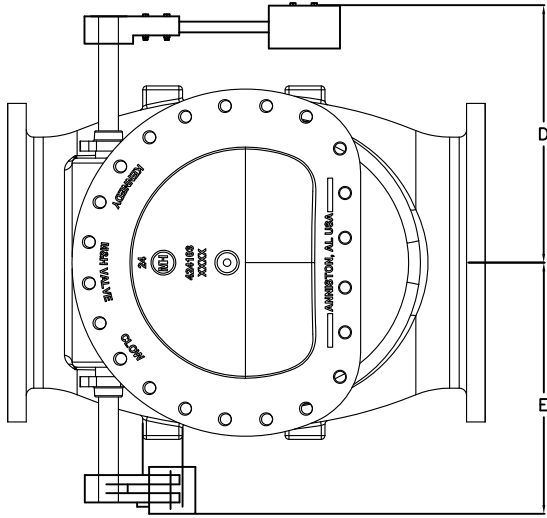
14" THRU 36"  
CUSHION CHECK VALVE  
STYLE 206  
MATERIAL LIST



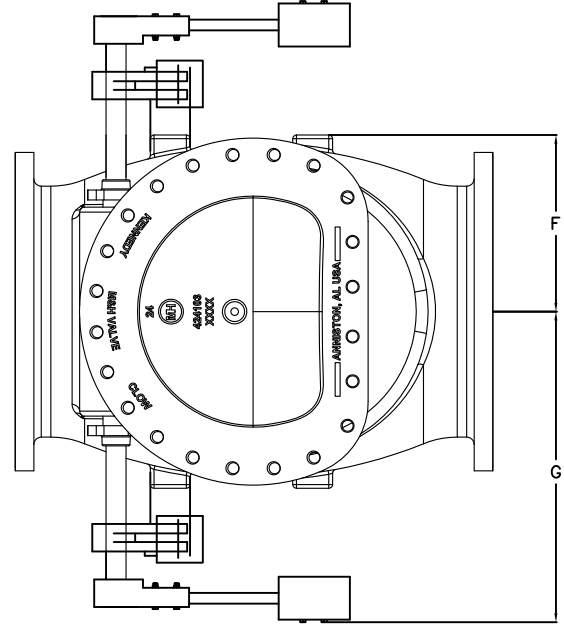
CLOSED



OPEN



OPTION 1



OPTION 2  
(36 ONLY W/2 EA CUSHION  
CYLINDERS & 2 EA WEIGHTS)

VALVE SIZE	14	16	18	20	24	30	36
A	31	36	40	40	48	49 1/2	63
B	18 3/4	23	25	24 1/2	28	32 7/8	34
C	32 1/2	34 1/2	40	42	54 1/2	57 1/2	59
D	20 1/4	22 1/2	23 1/2	25 1/2	28 3/4	31 1/2	35
E	19 1/4	19 3/4	21 1/2	25	28	30	35
F	11 3/4	14	13 3/4	16	19 3/8	21.875	23
G	25 3/4	26 1/4	28 1/2	31 3/4	35 1/2	37 1/2	39
*WEIGHT	1150	1600	1800	2500	3400	4350	5300

\*WEIGHTS ARE CLOSE APPROXIMATES

M&H VALVE COMPANY  
ANNISTON, ALABAMA  
A DIVISION OF MCWANE INC.

DWN: TRIJ  
DATE: 9/1/12  
DWG. NO.  
CCV-4

14" THRU 36"  
CUSHION CHECK VALVE  
STYLE 206