

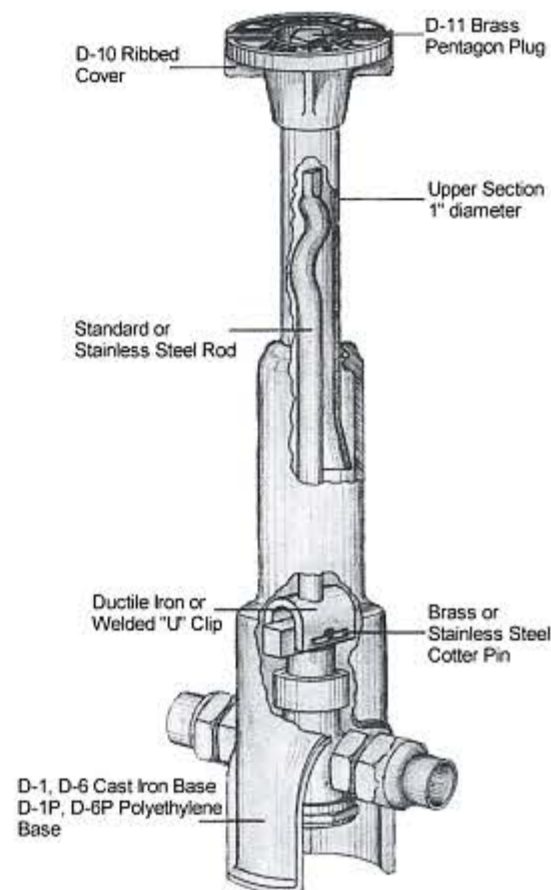
CLOW-CONCORD CURB BOXES, TOOLS AND ACCESSORIES

Clow-Concord offers a wide selection of Curb Boxes, to all size applications, including the Erie/Eclipse (bottom adjustment), Erie/Eclipse--Western Style (bottom and top adjustment) and the Fixed Base Pattern -- Western Style (top adjustment).

The upper section is corrosion treated iron pipe that can be fitted with the standard D-10 Ribbed Cover or the D-10F Flat Cover. Bases are available in high tensile cast iron or durable lightweight polyethylene.

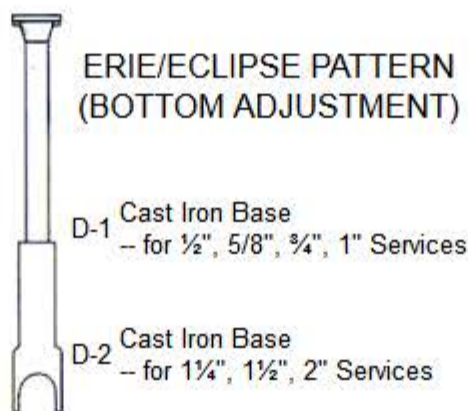
Standard steel or stainless steel stationary rods include a brass or stainless steel cotter pin for quick attachment and easy operation of the Curb Stop.

Clow-Concord also features a complete line of Repair Lids and couplings, extensions, cleaners, and shut off keys.



CLOW-CONCORD CURB BOX

MODELS



Curb Box Lids

	<p>D-10 Regular ribbed cover and brass pentagon plug.</p> <p>D-10A Ribbed repair cover c/w set screw and brass pentagon plug.</p> <p>D-10B Ball valve marking ribbed cover and brass pentagon plug.</p> <p>D-10C Cover and brass pentagon plug with seal.</p> <p>D-10D 1 1/4" ribbed cover and brass pentagon plug.</p> <p>D-10DR 1 1/4" ribbed repair cover with set screw and brass pentagon plug.</p> <p>D-10F Flat cover with 1" brass thread.</p> <p>NOTE: Brass hexagon plugs available on all models if specified.</p>
--	---

Curb Box Parts

	<p>D-11 Brass pentagon or hexagon plug (specify) Frost ring washer Brass or stainless steel cotter pin Base for D-1, D-6, cast iron Base for D-1P, D-6P, polyethylene Base for D-2, D-7, cast iron Base for D-8, cast iron.</p> <p>D-17 Standard repair coupling with two set screws.</p> <p>D-17F Repair coupling with one female end threaded and one end with set screw.</p> <p>D-18 Extensions 1" male end threaded and female end with set screw. Fixed length -- 1" pipe. 6, 12, 18, 24, 30, 36, 42, 48 inches</p> <p>D-18A Same as above -- 1 1/4" pipe fully adjustable within each length.</p>
--	---