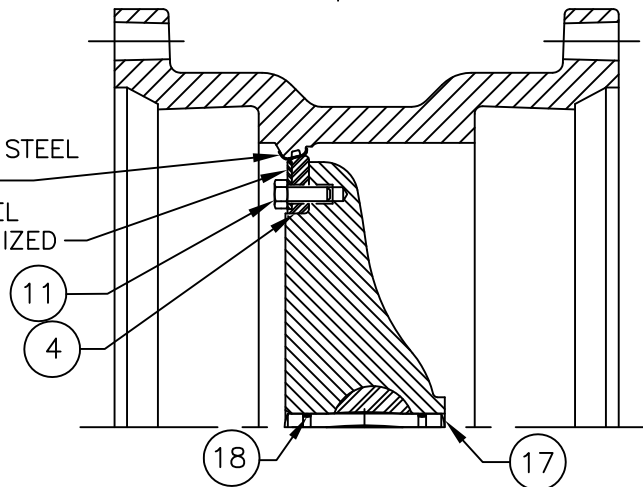


316 STAINLESS STEEL
BODY SEAT
304 STAINLESS STEEL
CLAMP RING VULCANIZED
TO SEAT



SECTION A-A

| ITEM # | DESCRIPTION | MATERIAL |
|--------|-----------------------------|---|
| 1 | BODY, VALVE | DUCTILE IRON ASTM A-536 GR. 70-50-05 |
| 2 | VANE | DUCTILE IRON ASTM A-536 GR. 70-50-05 |
| 3 | COVER, END | CAST IRON, A-126, CLASS B |
| 4 | SEAT RING, VANE | EPDM WITH 304 STAINLESS STEEL INSERT |
| 5 | SHAFT | TYPE 630, CONDITION H1100 STN. STL. ASTM A-564 |
| 6 | O-RING, BODY | BUNA-N |
| 7 | BEARING, BODY | NYLATRON GS NYLON |
| 8 | STUD | A307 STEEL (STANDARD)/304 SS (OPTIONAL)/316 SS (OPTIONAL) |
| 9 | NUT, HEAVY HEX | A307 STEEL (STANDARD)/304 SS (OPTIONAL)/316 SS (OPTIONAL) |
| 10 | SOCKET SCREW, FLAT HEAD HEX | STAINLESS STEEL, 18-8 |
| 11 | CAPSCREW, HEX | STAINLESS STEEL, 18-8 WITH NYLOK INSERT |
| 12 | CAPSCREW, HEX | A307 STEEL (STANDARD)/304 SS (OPTIONAL)/316 SS (OPTIONAL) |
| 13 | CARTRIDGE SEAL | ACETAL |
| 14 | THRUST DISK | ACETAL |
| 15 | "O" RING CARTRIDGE, INSIDE | BUNA-N |
| 16 | "O" RING CARTRIDGE, OUTSIDE | BUNA-N |
| 17 | GROOVED PIN | 393 STAINLESS STEEL |
| 18 | O-RING, GROOVED PIN | BUNA-N |



KENNEDY VALVE
Division of McWane, Inc.
1021 EAST WATER STREET ELMIRA, NEW YORK 14901

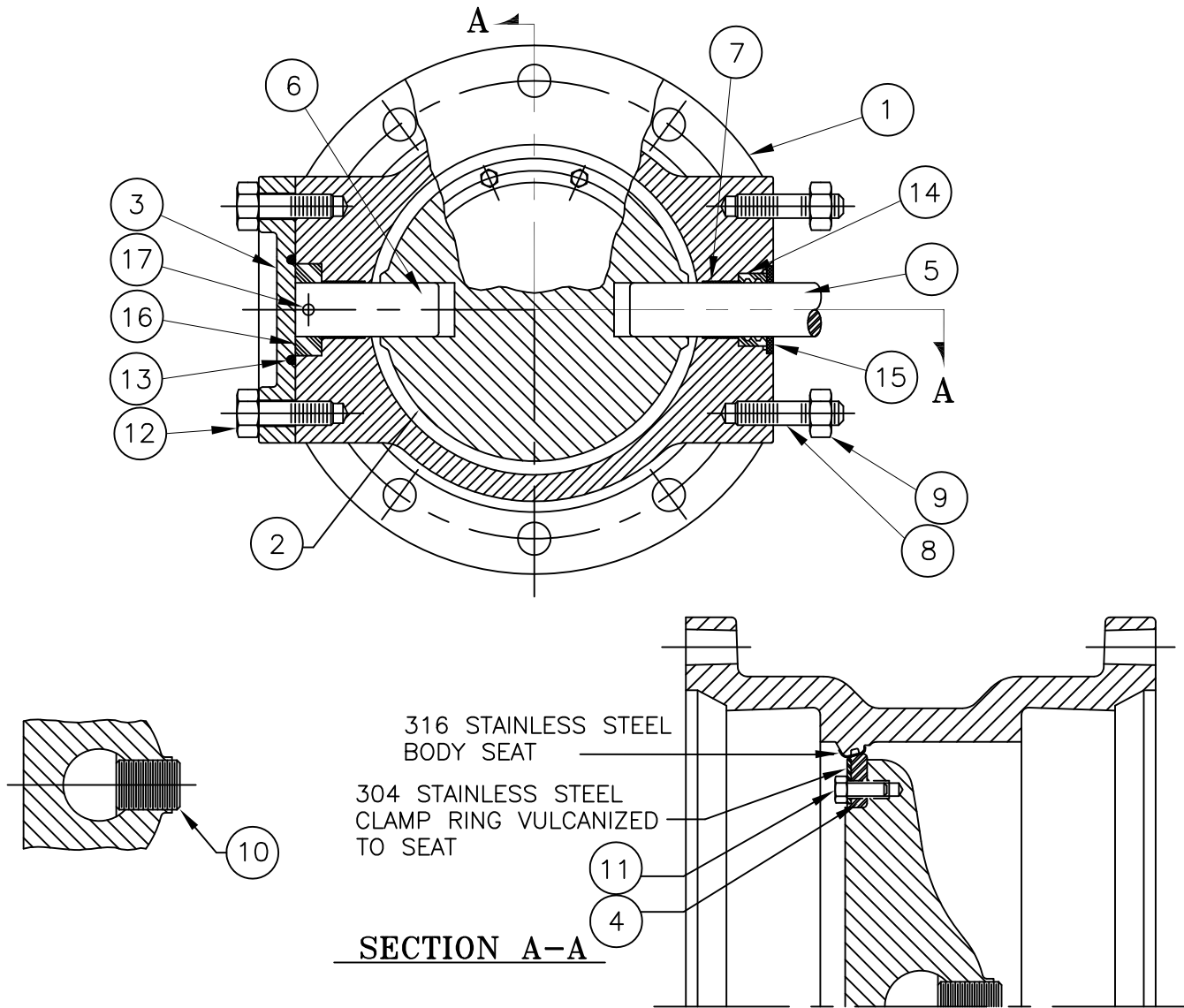
DWN: D SKAKAL

DATE: 5/23/17

DWG. NO.

CAT914C10038-01

4"-12" STYLE 4500
CLASS 250 BUTTERFLY VALVE
SUB-ASSEMBLY / MATERIAL LIST
MJ X MJ



| ITEM # | DESCRIPTION | MATERIAL |
|--------|--------------------|---|
| 1 | BODY, VALVE | DUCTILE IRON ASTM A-536 GR. 70-50-05 |
| 2 | VANE | DUCTILE IRON ASTM A-536 GR. 70-50-05 |
| 3 | COVER, END | CAST IRON, A-126, CLASS B |
| 4 | SEAT RING, VANE | EPDM WITH 304 STAINLESS STEEL INSERT |
| 5 | SHAFT, OPERATOR | TYPE 630, CONDITION H1100 STN. STL. ASTM A-564 |
| 6 | SHAFT, THRUST | 304 STAINLESS STEEL, ASTM A-276 |
| 7 | BUSHING | REINFORCED TEFLON |
| 8 | STUD | A307 STEEL (STANDARD)/304 SS (OPTIONAL)/316 SS (OPTIONAL) |
| 9 | NUT, HEX | A307 STEEL (STANDARD)/304 SS (OPTIONAL)/316 SS (OPTIONAL) |
| 10 | TORQUE PLUG, SHAFT | 304 STAINLESS STEEL, ASTM A-276 |
| 11 | CAPSCREW, HEX | STAINLESS STEEL, 18-8 WITH NYLOK INSERT |
| 12 | BOLT, HEX HEAD | A307 STEEL (STANDARD)/304 SS (OPTIONAL)/316 SS (OPTIONAL) |
| 13 | O-RING, END COVER | BUNA-N |
| 14 | SHAFT SEAL | BUNA-S |
| 15 | SEAL RING | STEEL, C-1018 |
| 16 | THRUST COLLAR | BRONZE ALLOY UNS C93200 |
| 17 | ROLL PIN | STAINLESS STEEL, A.I.S.I. 420 |



KENNEDY VALVE

Division of McWane, Inc.
1021 EAST WATER STREET ELMIRA, NEW YORK 14901

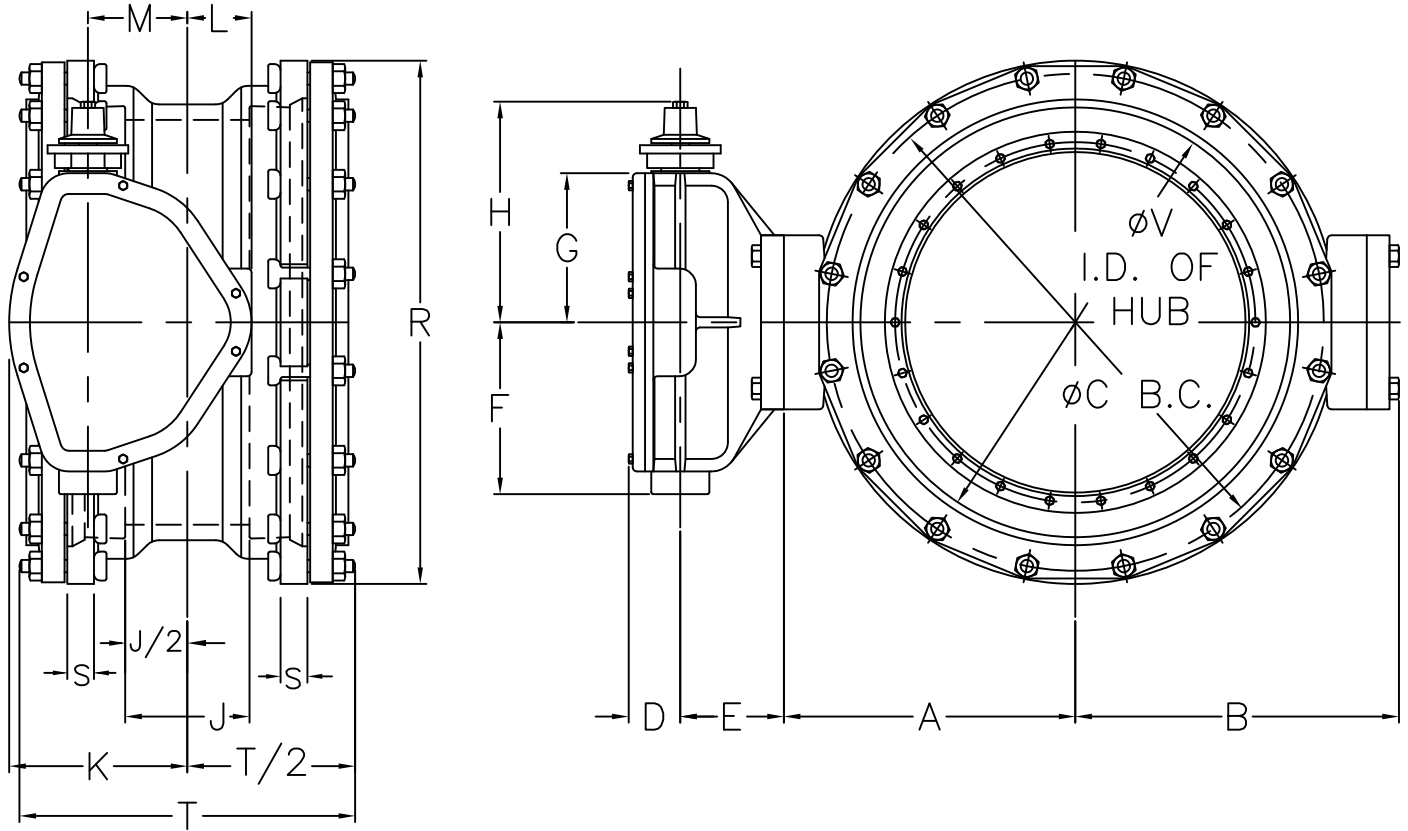
DWN: D SKAKAL

DATE: 5/23/17

DWG. NO.

CAT914C10039-01

14" THRU 24" STYLE 4500
CLASS 250 BUTTERFLY VALVE
SUB-ASSEMBLY / MATERIAL LIST
MJ X MJ



| VALVE SIZE | OPERATOR MODEL | D | E | F | G | H | K | L | M | N |
|---------------------|----------------|--------|---------|--------|--------|---------|--------|-------|-------|--------|
| 4" | 65 | 2 | 3 9/16 | 3 5/8 | 3 | 7 3/4 | 3 7/16 | 2 1/4 | 1 3/8 | 16 1/2 |
| 6" | 150 | 2 | 3 9/16 | 3 5/8 | 3 | 7 3/4 | 3 7/16 | 2 1/4 | 1 3/8 | 16 1/2 |
| 8" | 250 | 2 1/8 | 3 11/16 | 4 1/4 | 3 7/8 | 8 3/4 | 4 1/2 | 2 3/8 | 2 | 24 |
| 10" & 12" | 510 | 2 3/8 | 4 1/2 | 5 9/16 | 5 3/16 | 10 1/2 | 6 1/8 | 2 3/4 | 3 1/8 | 36 |
| 14", 16", 18" & 20" | 1250 | 3 3/16 | 5 3/4 | 8 3/8 | 7 | 12 5/16 | 7 7/8 | 3 1/4 | 4 | 48 |
| 24" | 2200 | 3 3/16 | 6 1/4 | 10 3/8 | 9 | 14 5/16 | 10 3/4 | 3 7/8 | 6 | 72 |

| VALVE SIZE | A | B | C | J | P | Q | R | S | T | V | WEIGHT |
|------------|----------|----------|--------|-------|----|-----------|----------|--------|--------|---|--------|
| 4" | 4 | 5 1/8 | 7 1/2 | 2 1/2 | 4 | 3/4x3 1/2 | 9 1/8 | 1 | 12 3/4 | 4.90 ^{+0.07} / _{-0.03} | 80 |
| 6" | 5 | 6 1/8 | 9 1/2 | 2 7/8 | 6 | 3/4x3 1/2 | 11 1/8 | 1 1/16 | 13 | 7.00 ^{+0.07} / _{-0.03} | 100 |
| 8" | 6 | 7 3/8 | 11 3/4 | 3 | 6 | 3/4x4 | 13 3/8 | 1 1/8 | 14 | 9.15 ^{+0.07} / _{-0.03} | 150 |
| 10" | 7 3/4 | 9 1/2 | 14 | 4 1/4 | 8 | 3/4x4 | 15 11/16 | 1 3/16 | 15 1/8 | 11.20 ^{+0.07} / _{-0.03} | 242 |
| 12" | 9 1/2 | 10 7/8 | 16 1/4 | 4 1/4 | 8 | 3/4x4 | 17 15/16 | 1 1/4 | 16 | 13.30 ^{+0.07} / _{-0.03} | 310 |
| 14" | 10 7/16 | 12 3/16 | 18 3/4 | 5 3/8 | 10 | 3/4x4 | 20 5/16 | 1 5/16 | 17 5/8 | 15.44 ^{+0.08} / _{-0.07} | 510 |
| 16" | 12 3/16 | 13 15/16 | 21 | 5 1/4 | 12 | 3/4x4 1/2 | 22 9/16 | 1 3/8 | 18 1/2 | 17.54 ^{+0.08} / _{-0.07} | 595 |
| 18" | 13 5/16 | 15 1/16 | 23 1/4 | 6 1/8 | 12 | 3/4x4 1/2 | 24 13/16 | 1 7/16 | 19 1/4 | 19.64 ^{+0.08} / _{-0.07} | 760 |
| 20" | 14 7/8 | 16 5/8 | 25 1/2 | 6 1/8 | 14 | 3/4x4 1/2 | 27 1/16 | 1 1/2 | 19 1/8 | 21.74 ^{+0.08} / _{-0.07} | 885 |
| 24" | 17 19/32 | 19 5/16 | 30 | 7 1/2 | 16 | 3/4x5 | 31 9/16 | 1 5/8 | 21 1/4 | 25.94 ^{+0.08} / _{-0.07} | 1190 |

NOTE 1: FLOW MAY BE IN EITHER DIRECTION

NOTE 2: VALVE SHAFT WILL MEET OR EXCEED REQUIREMENTS OF SHAFT TABLE PER AWWA STANDARD C-504 FOR APPLICABLE CLASS.

NOTE 3: REFERENCE AWWA C-111 (A.N.S.I. A21-11)

NOTE 4: "N" = NUMBER OF TURNS TO CLOSE

NOTE 5: "P" = NUMBER OF BOLTS ON EACH FLANGE

NOTE 6: "Q" = DIAMETER OF BOLTS

NOTE 7: OPERATED BY 2" AWWA OPERATING / WRENCH NUT

NOTE 8: RATED AND TESTED FOR 250 PSI WORKING PRESSURE

NOTE 9: GASKET, GLANDS, BOLTS, FOR MECHANICAL JOINT FURNISHED WITH VALVE WHEN SPECIFIED ON ORDER



KENNEDY VALVE

Division of McWane, Inc.
1021 EAST WATER STREET ELMIRA, NEW YORK 14901

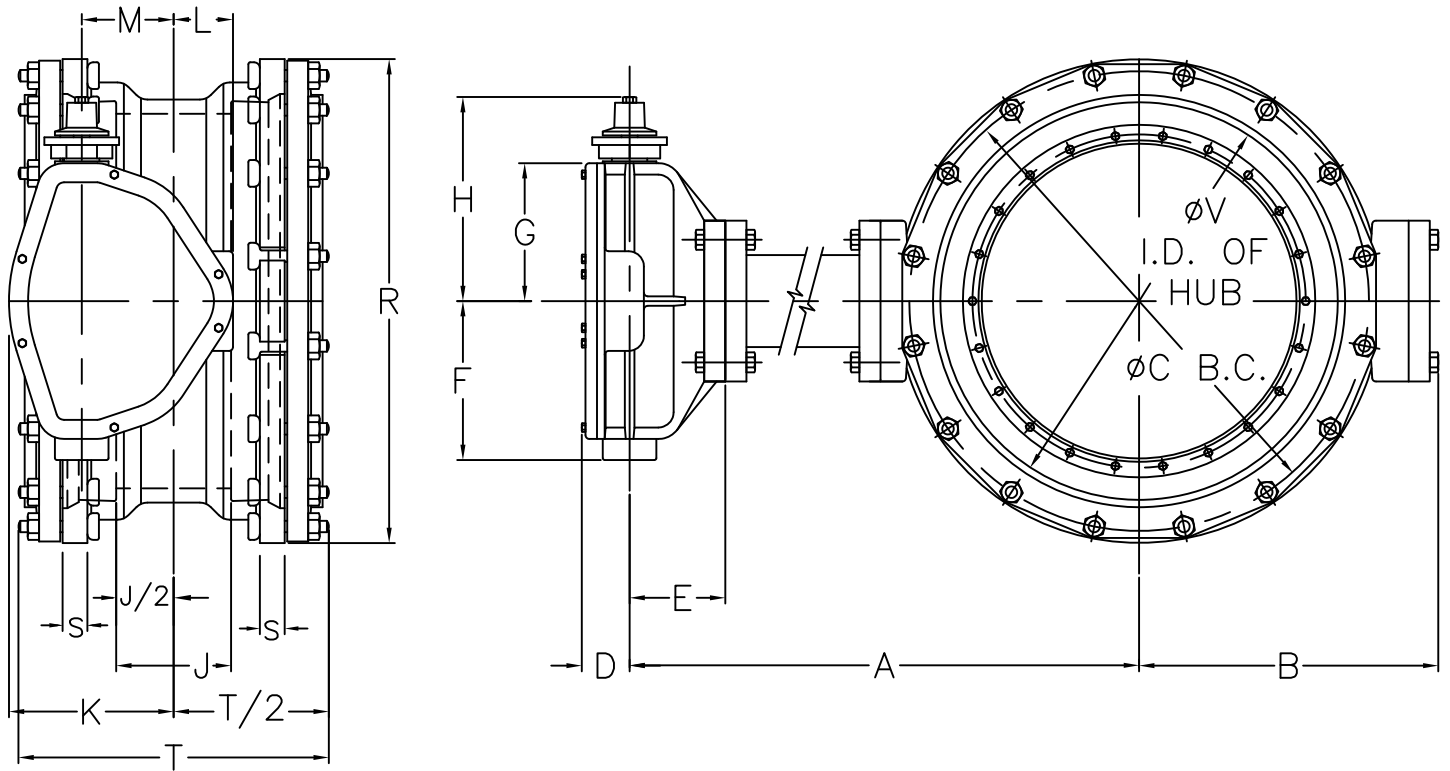
DWN: D SKAKAL

DATE: 5/23/17

DWG. NO.

CAT914C10040-01

4"-24" STYLE 4500
CLASS 250 BUTTERFLY VALVE
BURIED OPERATOR
MJ x MJ



| VALVE SIZE | OPERATOR MODEL | D | E | F | G | H | K | L | M | N |
|---------------------|----------------|--------|---------|--------|--------|---------|--------|-------|-------|--------|
| 4" | 65 | 2 | 3 9/16 | 3 5/8 | 3 | 7 3/4 | 3 7/16 | 2 1/4 | 1 3/8 | 16 1/2 |
| 6" | 150 | 2 | 3 9/16 | 3 5/8 | 3 | 7 3/4 | 3 7/16 | 2 1/4 | 1 3/8 | 16 1/2 |
| 8" | 250 | 2 1/8 | 3 11/16 | 4 1/4 | 3 7/8 | 8 3/4 | 4 1/2 | 2 3/8 | 2 | 24 |
| 10" & 12" | 510 | 2 3/8 | 4 1/2 | 5 9/16 | 5 3/16 | 10 1/2 | 6 1/8 | 2 3/4 | 3 1/8 | 36 |
| 14", 16", 18" & 20" | 1250 | 3 3/16 | 5 3/4 | 8 3/8 | 7 | 12 5/16 | 7 7/8 | 3 1/4 | 4 | 48 |
| 24" | 2200 | 3 3/16 | 6 1/4 | 10 3/8 | 9 | 14 5/16 | 10 3/4 | 3 7/8 | 6 | 72 |

| VALVE SIZE | A | B | C | J | P | Q | R | S | T | V | WEIGHT |
|------------|---------|----------|--------|-------|----|-----------|----------|--------|--------|---------------------------------------|--------|
| 4" | NOTE AA | 5 1/8 | 7 1/2 | 2 1/2 | 4 | 3/4x3 1/2 | 9 1/8 | 1 | 12 3/4 | 4.90 ⁺⁰⁷ / ₋₀₃ | 80 |
| 6" | NOTE AA | 6 1/8 | 9 1/2 | 2 7/8 | 6 | 3/4x3 1/2 | 11 1/8 | 1 1/16 | 13 | 7.00 ⁺⁰⁷ / ₋₀₃ | 100 |
| 8" | NOTE AA | 7 3/8 | 11 3/4 | 3 | 6 | 3/4x4 | 13 3/8 | 1 1/8 | 14 | 9.15 ⁺⁰⁷ / ₋₀₃ | 150 |
| 10" | NOTE AA | 9 1/2 | 14 | 4 1/4 | 8 | 3/4x4 | 15 11/16 | 1 3/16 | 15 1/8 | 11.20 ⁺⁰⁷ / ₋₀₃ | 242 |
| 12" | NOTE AA | 10 7/8 | 16 1/4 | 4 1/4 | 8 | 3/4x4 | 17 15/16 | 1 1/4 | 16 | 13.30 ⁺⁰⁷ / ₋₀₃ | 310 |
| 14" | NOTE AA | 12 3/16 | 18 3/4 | 5 3/8 | 10 | 3/4x4 | 20 5/16 | 1 5/16 | 17 5/8 | 15.44 ⁺⁰⁸ / ₋₀₅ | 510 |
| 16" | NOTE AA | 13 15/16 | 21 | 5 1/4 | 12 | 3/4x4 1/2 | 22 9/16 | 1 3/8 | 18 1/2 | 17.54 ⁺⁰⁸ / ₋₀₅ | 595 |
| 18" | NOTE AA | 15 1/16 | 23 1/4 | 6 1/8 | 12 | 3/4x4 1/2 | 24 13/16 | 1 7/16 | 19 1/4 | 19.64 ⁺⁰⁸ / ₋₀₅ | 760 |
| 20" | NOTE AA | 16 5/8 | 25 1/2 | 6 1/8 | 14 | 3/4x4 1/2 | 27 1/16 | 1 1/2 | 19 1/8 | 21.74 ⁺⁰⁸ / ₋₀₅ | 885 |
| 24" | NOTE AA | 19 5/16 | 30 | 7 1/2 | 16 | 3/4x5 | 31 9/16 | 1 5/8 | 21 1/4 | 25.94 ⁺⁰⁸ / ₋₀₅ | 1190 |

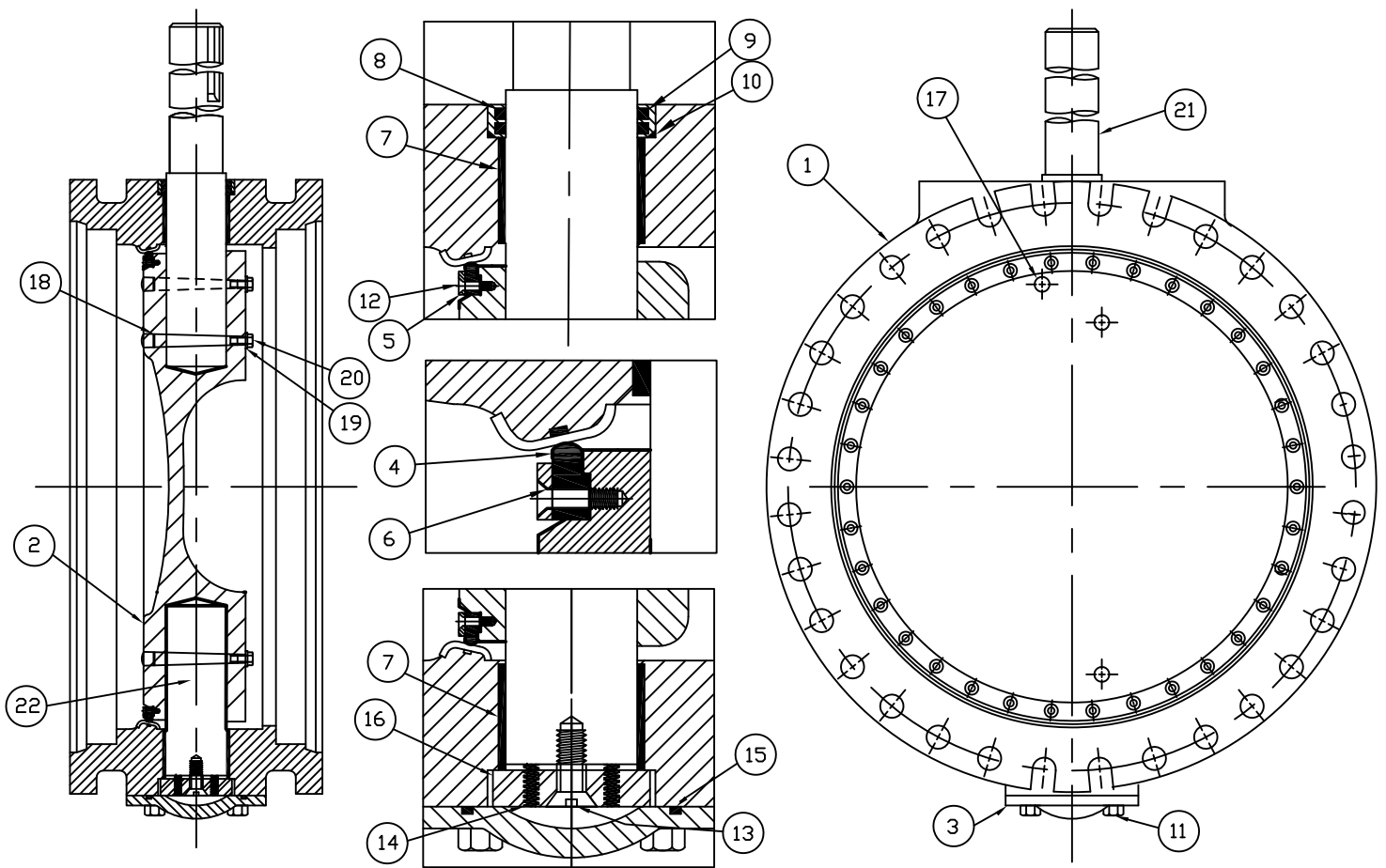
- NOTE 1: FLOW MAY BE IN EITHER DIRECTION
 NOTE 2: VALVE SHAFT WILL MEET OR EXCEED REQUIREMENTS OF SHAFT TABLE PER AWWA STANDARD C-504 FOR APPLICABLE CLASS.
 NOTE 3: REFERENCE AWWA C-111 (A.N.S.I. A21-11)
 NOTE 4: "N" = NUMBER OF TURNS TO CLOSE
 NOTE 5: "P" = NUMBER OF BOLTS ON EACH FLANGE
 NOTE 6: "Q" = DIAMETER OF BOLTS
 NOTE 7: OPERATED BY 2" AWWA OPERATING / WRENCH NUT
 NOTE 8: RATED AND TESTED FOR 250 PSI WORKING PRESSURE
 NOTE 9: GASKET, GLANDS, BOLTS, FOR MECHANICAL JOINT FURNISHED WITH VALVE WHEN SPECIFIED ON ORDER
 NOTE 10: MAXIMUM LENGTH OF TORQUE TUBE (15 FEET)--BONNET SUPPORTS SHOULD BE USED ON ALL BONNETS EXCEEDING 6 FEET CENTERLINE OF VALVE TO CENTERLINE OF OPERATOR. ALL BONNET SUPPORTS SHALL BE SUPPLIED BY CUSTOMER
 NOTE AA: "A" VARIES TO ENGINEER SPECIFICATIONS
 *NOTE AB: APPROXIMATE WEIGHT PER EACH FOOT OF EXTENDED BONNET 25LBS(4"-12"), 50LBS(14"-16"), 80LBS(18"-24")



KENNEDY VALVE
 Division of McWane, Inc.
 1021 EAST WATER STREET ELMIRA, NEW YORK 14901

DWN: D SKAKAL
 DATE: 5/23/17
 DWG. NO.
 CAT914C10041-01

4" THRU 24" STYLE 4500
 CLASS 250 BUTTERFLY VALVE
 WITH EXTENDED BONNET
 BURIED OPERAOTR
 MJ X MJ



| ITEM # | DESCRIPTION | MATERIAL |
|--------|--|--|
| 1A | VALVE BODY | DUCTILE IRON, ASTM A-536, Grade 70-50-05 |
| 1B | BODY RING (Permanently Attached) | 316 STAINLESS STEEL |
| 1C | BODY O-RING (Permanently Attached) | BUNA-N |
| 2 | VANE | DUCTILE IRON, ASTM A-536, Grade 70-50-05 |
| 3 | END COVER PLATE | DUCTILE IRON, ASTM A-536, Grade 70-50-05 |
| 4 | RUBBER VANE SEAT RING | EPDM |
| 5 | SEGMENTED CLAMP RING (4) | 304 STAINLESS STEEL, ASTM A-276 |
| 6 | SEALING WASHER | NYLON |
| 7 | SHAFT SLEEVE BEARING | FIBERGLIDE BACKED WITH STAINLESS STEEL |
| 8 | SHAFT O-RING CARTRIDGE | BRONZE |
| 9 | O-RING SHAFT SEALS (2) | BUNA-N |
| 10 | OUTSIDE O-RING CARTRIDGE SEAL | BUNA-N |
| 11 | END COVER PLATE HEX BOLTS | A307 STEEL (STANDARD)/304 SS/316 SS |
| 12 | FLAT HEAD SOCKET SCREW (For Rubber Vane Seat Ring) | 18-8 STAINLESS STEEL (WITH LOCTITE) |
| 13 | FLAT HEAD SOCKET SCREW (For Thrust Bearing) | 18-8 STAINLESS STEEL (WITH NYLON INSERT) |
| 14 | ALLEN HEAD SET SCREW (For Thrust Bearing) | 18-8 STAINLESS STEEL (WITH NYLON INSERT) |
| 15 | END COVER PLATE O-RING | BUNA-N |
| 16 | THRUST BEARING | BRONZE |
| 17 | TAPER PIN (3) | 416 STAINLESS STEEL |
| 18 | TAPER PIN O-RING (3) | BUNA-N |
| 19 | TAPER PIN WASHER (3) | 416 STAINLESS STEEL |
| 20 | TAPER PIN BOLT (3) | 304 STAINLESS STEEL |
| 21 | SHAFT (OPERATOR) | STAINLESS STL ASTM A-564. H1100 TYPE 630 |
| 22 | SHAFT (THRUST SIDE) | 304 STAINLESS STEEL |



KENNEDY VALVE

Division of McWane, Inc.
1021 EAST WATER STREET ELMIRA, NEW YORK 14901

DWN: D SKAKAL

DATE: 5/23/17

DWG. NO.

CAT914C10042-01

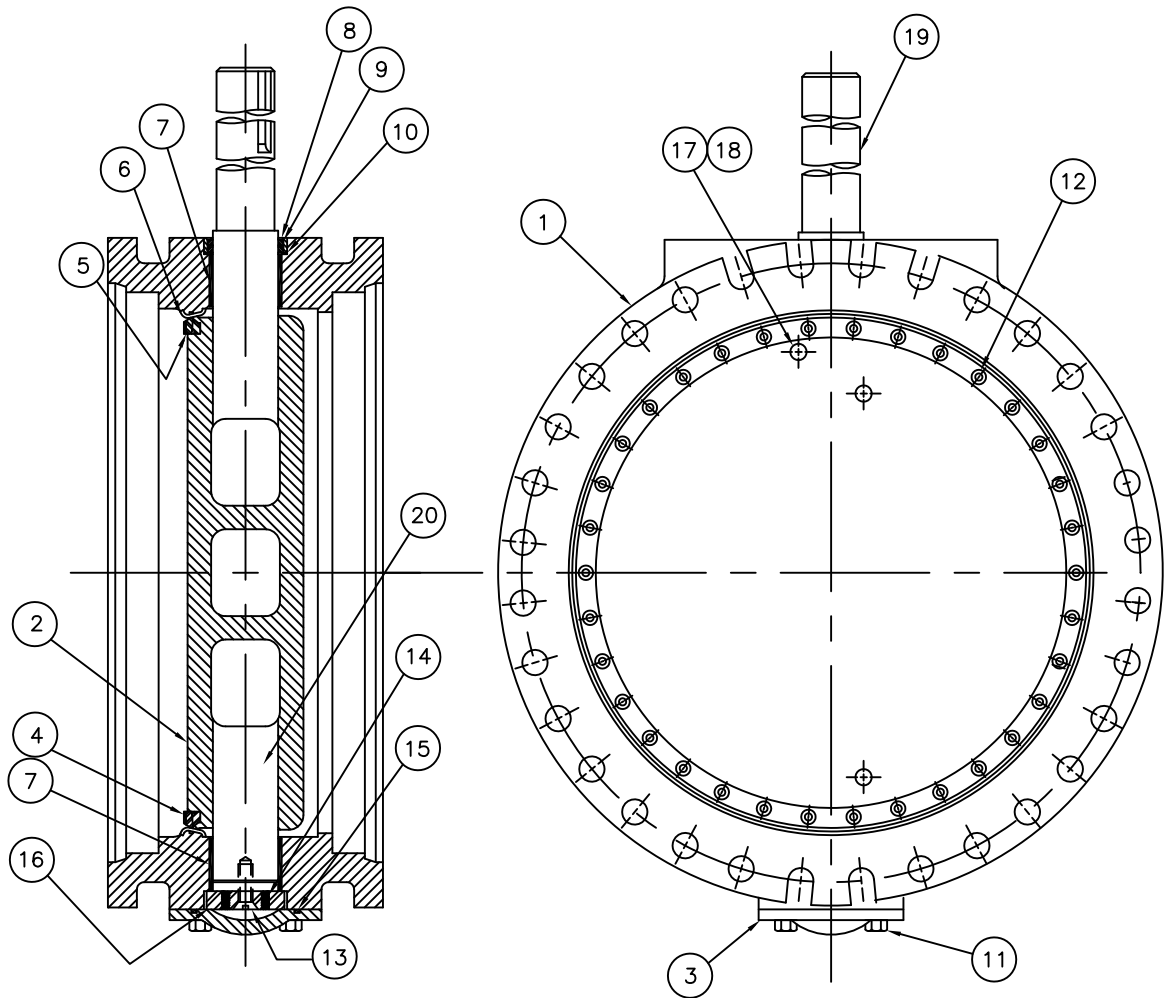
30" & 36"

AWWA C504-STYLE 1450

CLASS 250 BUTTERFLY VALVE

SUB-ASSEMBLY / MATERIAL LIST

MJ X MJ



| ITEM NO. | DESCRIPTION | MATERIAL |
|----------|-----------------------------|---|
| 1 | BODY, VALVE | DUCTILE IRON, ASTM A-536, GR. 70-50-05 W/316 STN. STL. SEAT |
| 2 | VANE | DUCTILE IRON, ASTM A-536 GR. 70-50-05 |
| 3 | END COVER | DUCTILE IRON, ASTM A-536 GR. 70-50-05 |
| 4 | SEAT RING, VANE | EPDM |
| 5 | CLAMP RING, SEAT | 304 STAINLESS STEEL |
| 6 | SEALING WASHER | NYLON |
| 7 | BUSHING, BODY | FIBERGLIDE |
| 8 | CARTRIDGE, SHAFT | BRONZE |
| 9 | SEAL, SHAFT | BUNA-N |
| 10 | SEAL, CARTRIDGE | BUNA-N |
| 11 | BOLT, END COVER | A307 STEEL (STANDARD)/304 SS (OPTIONAL)/316 SS (OPTIONAL) |
| 12 | SOCKET SCREW ~ FLAT HEAD | 18-8 STAINLESS STEEL W/NYLOK INSERT |
| 13 | SOCKET SCREW ~ FLAT HEAD | 18-8 STAINLESS STEEL W/NYLOK INSERT |
| 14 | SET SCREW ~ FLAT POINT | 18-8 STAINLESS STEEL W/NYLOK INSERT |
| 15 | END COVER SEAL | BUNA-N |
| 16 | THRUST BEARING \mathbb{R} | BRONZE |
| 17 | TAPER PIN | 416 STAINLESS STEEL |
| 18 | TAPER PIN BOLT | 18-8 STAINLESS STEEL |
| 19 | SHAFT (OPERATOR) | TYPE 630, CONDITION H1100 STN STL ASTM A-564 |
| 20 | SHAFT (THRUST) | 304 STAINLESS STEEL |



KENNEDY VALVE

Division of McWane, Inc.
1021 EAST WATER STREET ELMIRA, NEW YORK 14901

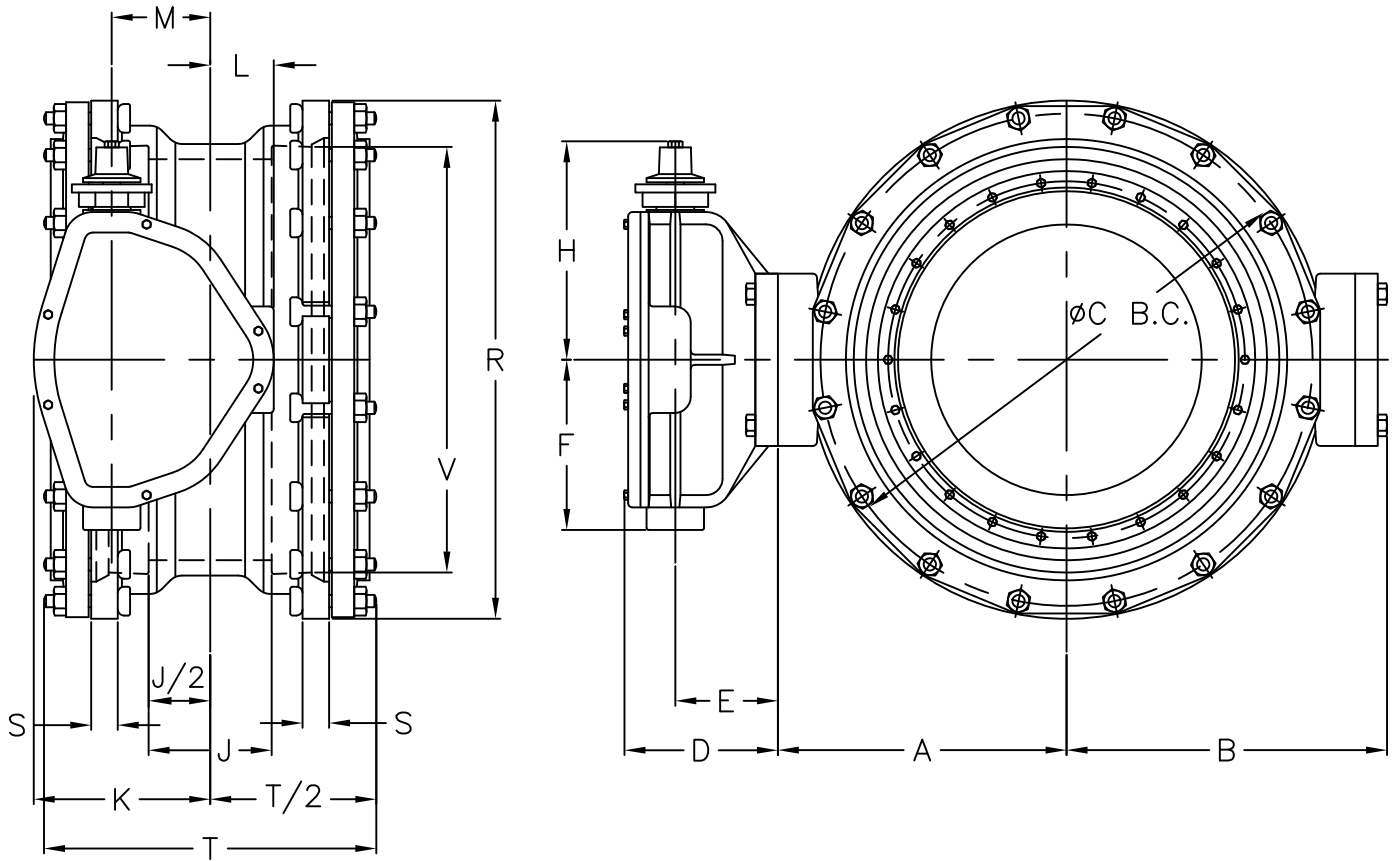
DWN: D SKAKAL

DATE: 5/23/17

DWG. NO.

CAT914C10043-01

42" & 48" STYLE 1450
CLASS 250 BUTTERFLY VALVE
SUB-ASSEMBLY / MATERIAL LIST
(NON-ADJUSTABLE PACKING)
MJ X MJ



| | OPERATOR MODEL | D | E | F | H | K | L | M | N |
|-----------|----------------|---------|--------|---------|---------|---------|--------|-------|----|
| 30" | 2200 | 9 7/16 | 6 1/4 | 10 3/8 | 14 5/16 | 10 3/4 | 3 7/8 | 6 | 72 |
| 36" & 42" | 4350 | 10 3/16 | 6 1/16 | 14 5/16 | 18 | 13 5/16 | 4 3/16 | 7 1/2 | 90 |

| VALVE SIZE | A | B | C | J | P | Q | R | S | T | V | WEIGHT |
|------------|--------|---------|--------|----|----|-------|--------|---------|--------|-------|--------|
| 30" | 20 5/8 | 21 1/2 | 36 7/8 | 12 | 20 | 1 | 39 1/8 | 1 13/16 | 28 3/8 | 32.22 | 2300 |
| 36" | 24 1/8 | 25 1/16 | 43 3/4 | 12 | 24 | 1 | 46 | 2 | 28 3/8 | 38.47 | 2840 |
| 42" | 28 | 28 7/8 | 50 5/8 | 12 | 28 | 1 1/4 | 53 1/8 | 2 | 28 3/8 | 44.67 | 4405 |

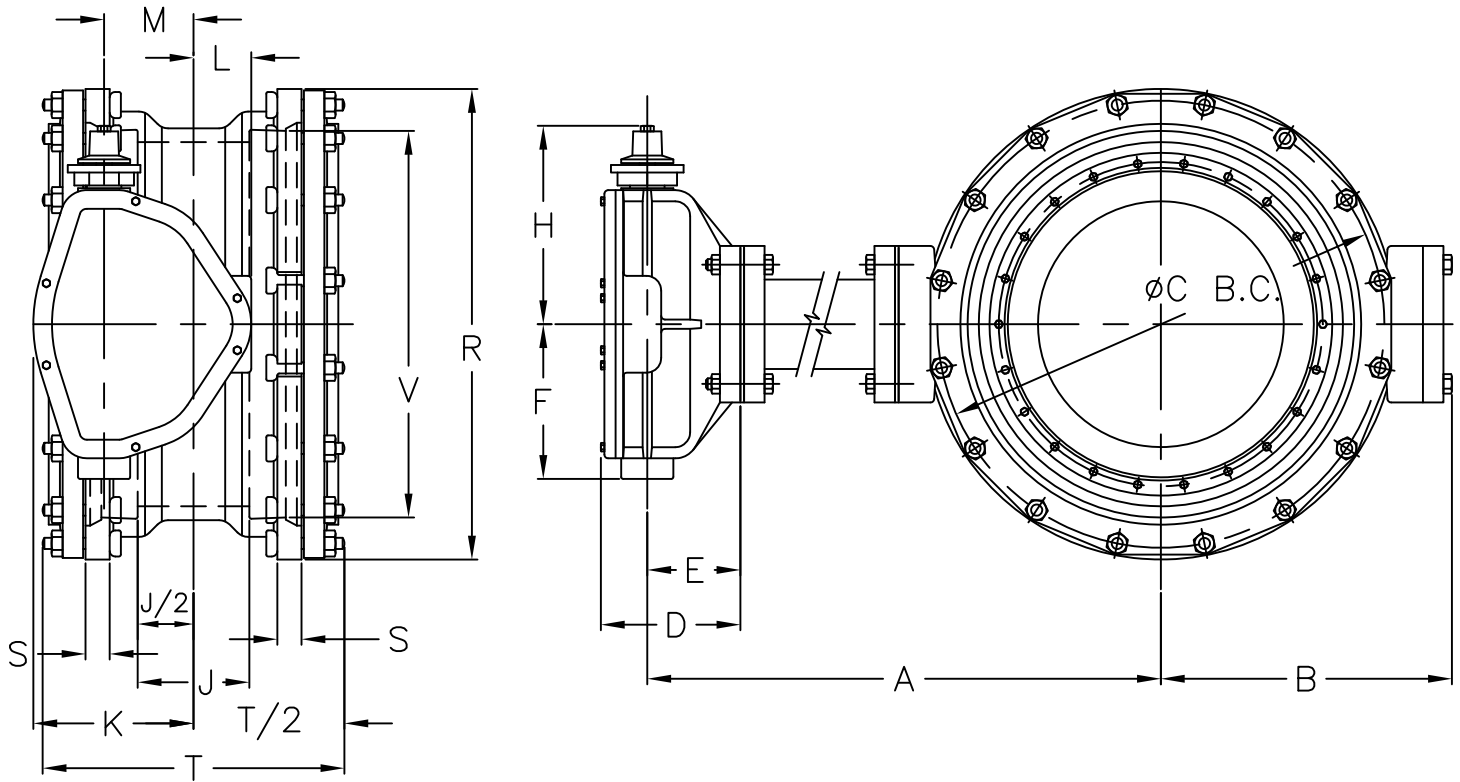
- NOTE 1: FLOW MAY BE IN EITHER DIRECTION
 NOTE 2: VALVE SHAFT WILL MEET OR EXCEED REQUIREMENTS OF SHAFT TABLE PER AWWA STANDARD C-504 FOR APPLICABLE CLASS.
 NOTE 3: REFERENCE AWWA C-111 (A.N.S.I. A21-11)
 NOTE 4: "N" = NUMBER OF TURNS TO CLOSE
 NOTE 5: "P" = NUMBER OF BOLTS ON EACH FLANGE
 NOTE 6: "Q" = DIAMETER OF BOLTS
 NOTE 7: OPERATED BY 2" AWWA OPERATING / WRENCH NUT
 NOTE 8: GASKET, GLANDS, BOLTS, FOR MECHANICAL JOINT FURNISHED WITH VALVE WHEN SPECIFIED ON ORDER
 NOTE 9: RATED AND TESTED FOR 250 PSI WORKING PRESSURE



KENNEDY VALVE
 Division of McWane, Inc.
 1021 EAST WATER STREET ELMIRA, NEW YORK 14901

DWN: D SKAKAL
 DATE: 5/23/17
 DWG. NO.
 CAT914C10044-01

30" THRU 42" STYLE 1450
 CLASS 250 BUTTERFLY VALVE
 BURIED OPERATOR
 MJ X MJ



| | OPERATOR MODEL | D | E | F | H | K | L | M | N |
|-----------|----------------|---------|--------|--------|--------|---------|--------|-------|----|
| 30" | 2200 | 9 1/16 | 6 1/4 | 10 3/8 | 14 1/2 | 10 3/4 | 3 7/8 | 6 | 72 |
| 36" & 42" | 4350 | 10 1/16 | 6 1/16 | 15 1/8 | 18 | 13 5/16 | 4 3/16 | 7 1/2 | 90 |

| VALVE SIZE | A | B | C | J | P | Q | R | S | T | V | *WEIGHT |
|------------|---------|---------|--------|----|----|-------|--------|---------|--------|-------|---------|
| 30" | NOTE AA | 21 1/2 | 36 7/8 | 12 | 20 | 1 | 39 1/8 | 1 13/16 | 28 3/8 | 32.22 | 2300 |
| 36" | NOTE AA | 25 1/16 | 43 3/4 | 12 | 24 | 1 | 46 | 2 | 28 3/8 | 38.47 | 2840 |
| 42" | NOTE AA | 28 7/8 | 50 5/8 | 12 | 28 | 1 1/4 | 53 1/8 | 2 | 28 3/8 | 44.67 | 4405 |

NOTE 1: FLOW MAY BE IN EITHER DIRECTION

NOTE 2: VALVE SHAFT WILL MEET OR EXCEED REQUIREMENTS OF SHAFT TABLE PER AWWA STANDARD C-504 FOR APPLICABLE CLASS.

NOTE 3: REFERENCE AWWA C-111 (A.N.S.I. A21-11)

NOTE 4: "N" = NUMBER OF TURNS TO CLOSE

NOTE 5: "P" = NUMBER OF BOLTS ON EACH FLANGE

NOTE 6: "Q" = DIAMETER OF BOLTS

NOTE 7: OPERATED BY 2" AWWA OPERATING / WRENCH NUT

NOTE 8: GASKET, GLANDS, BOLTS, FOR MECHANICAL JOINT FURNISHED WITH VALVE WHEN SPECIFIED ON ORDER

NOTE 9: RATED AND TESTED FOR 250 PSI WORKING PRESSURE

NOTE 10: MAXIMUM LENGTH OF TORQUE TUBE (15 FEET)--BONNET SUPPORTS SHOULD BE USED ON ALL BONNETS EXCEEDING 6 FEET CENTERLINE OF VALVE TO CENTERLINE OF OPERATOR. ALL BONNET SUPPORTS SHALL BE SUPPLIED BY CUSTOMER

NOTE AA: "A" VARIES TO ENGINEER SPECIFICATIONS

*NOTE AB: APPROXIMATE WEIGHT PER EACH FOOT OF EXTENDED BONNET 150lbs (30"-42")



KENNEDY VALVE

Division of McWane, Inc.
1021 EAST WATER STREET ELMIRA, NEW YORK 14901

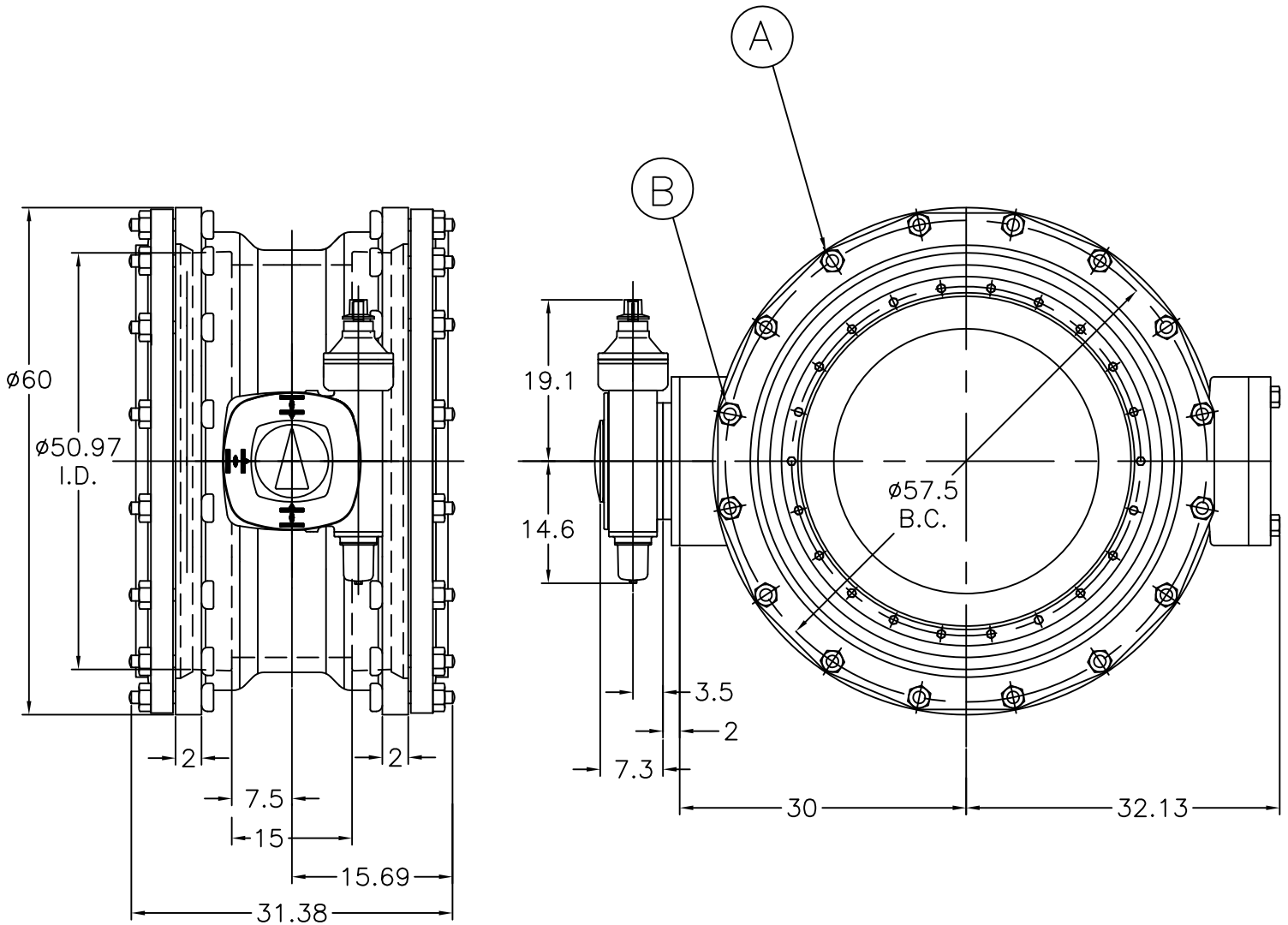
DWN: D SKAKAL

DATE: 5/23/17

DWG. NO.

CAT914C10045-01

30" THRU 42" STYLE 1450
CLASS 250 BUTTERFLY VALVE
WITH EXTENDED BONNET
BURIED OPERATOR
MJ X MJ



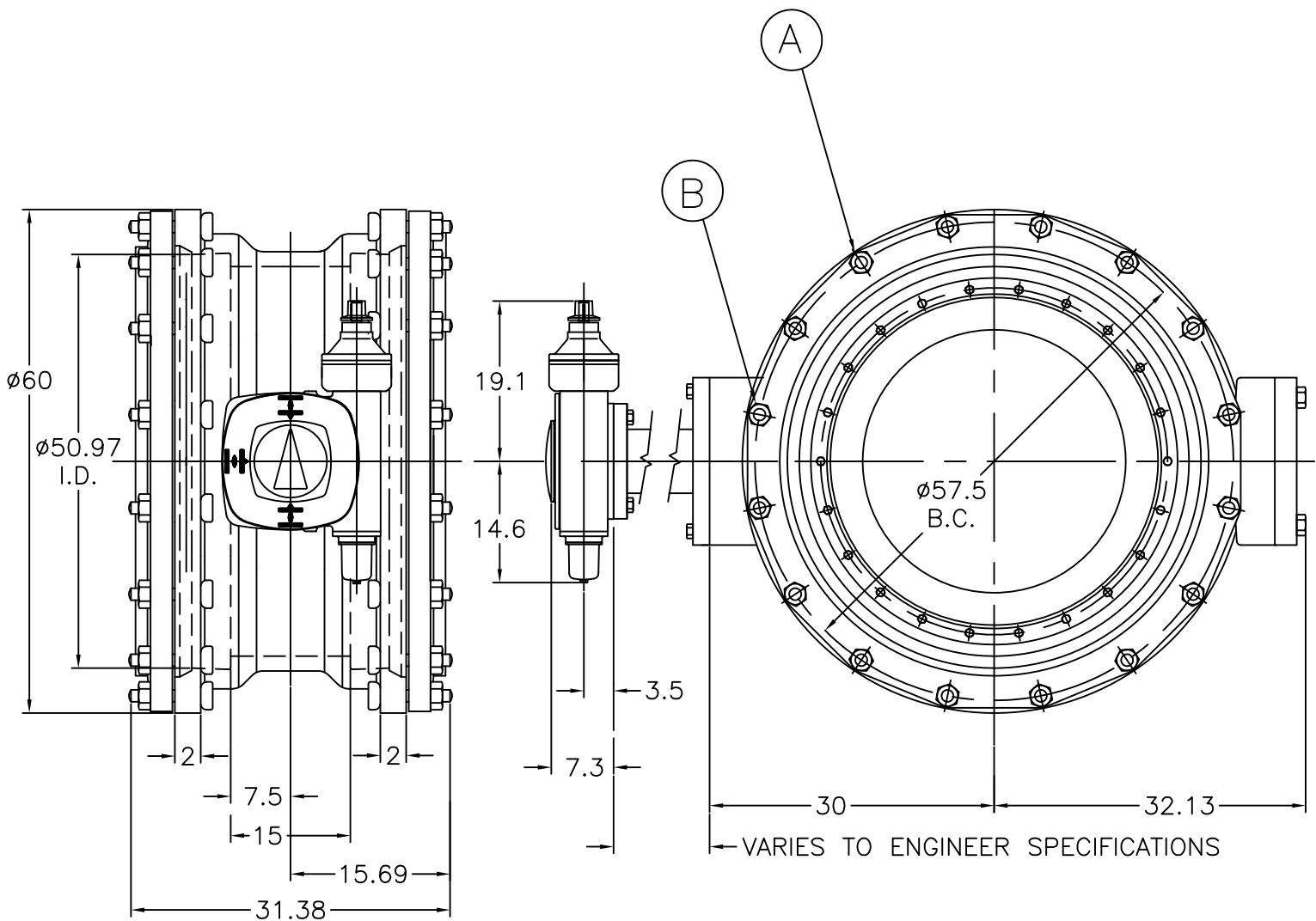
- NOTE 1: FLOW MAY BE IN EITHER DIRECTION
 NOTE 2: VALVE SHAFT WILL MEET OR EXCEED REQUIREMENTS OF SHAFT TABLE PER AWWA STANDARD C-504 FOR APPLICABLE CLASS.
 NOTE 3: REFERENCE AWWA C-504-B
 NOTE 4: NUMBER OF TURNS TO CLOSE = 108
 NOTE 5: OPERATED BY 2" AWWA OPERATING / WRENCH NUT
 NOTE 6: A = (32) $\phi 1.25$ " BOLTS PER FLANGE
 NOTE 7: B = (8) 1.38 SLOTTED HOLES EACH FLANGE
 NOTE 8: RATED AND TESTED TO 250 PSI WORKING PRESSURE
 NOTE 9: APPROXIMATE WEIGHT = 6300lbs.



KENNEDY VALVE
 Division of McWane, Inc.
 1021 EAST WATER STREET ELMIRA, NEW YORK 14901

DWN: D SKAKAL
 DATE: 5/23/17
 DWG. NO.
 CAT914C10046-01

48" STYLE 1450
 CLASS 250 BUTTERFLY VALVE
 (AUMA GS200.3/GZ200.3:8 GEAR BOX)
 BURIED OPERATOR
 MJ X MJ ENDS



NOTE 1: FLOW MAY BE IN EITHER DIRECTION

NOTE 2: VALVE SHAFT WILL MEET OR EXCEED REQUIREMENTS OF SHAFT TABLE PER AWWA STANDARD C-504 FOR APPLICABLE CLASS.

NOTE 3: REFERENCE AWWA C-504-B

NOTE 4: NUMBER OF TURNS TO CLOSE = 108

NOTE 5: OPERATED BY 2" AWWA OPERATING / WRENCH NUT

NOTE 6: A = (32) $\phi 1.25$ " BOLTS PER FLANGE

NOTE 7: B = (8) 1.38 SLOTTED HOLES EACH FLANGE

NOTE 8: RATED AND TESTED TO 250 PSI WORKING PRESSURE

NOTE 9: APPROXIMATE WEIGHT = 6300lbs.



KENNEDY VALVE

Division of McWane, Inc.
1021 EAST WATER STREET ELMIRA, NEW YORK 14901

DWN: D SKAKAL

DATE: 5/23/17

DWG. NO.

CAT914C10047-01

48" STYLE 1450

CLASS 250 BUTTERFLY VALVE

(AUMA GS200.3/GZ200.3:8 GEAR BOX)

BURIED OPERATOR & EXTENDED BONNET

MJ X MJ ENDS