

#	DESCRIPTION	MATERIAL
1	OP NUT / HANDWHEEL	CI, ASTM A-126
2	INPUT SHAFT COLLAR	STEEL
3	CROSSHEAD	DI, ASTM A536
4	LEVER	DI, ASTM A536
5	STOP NUT	STEEL
6	YOKE GUIDE BAR	STEEL
7	INPUT SHAFT ADJUSTMENT COLLAR	CARBON STEEL
8	GROOVE PIN	HIGH CARBON STEEL
9	KEY	STEEL
10	ACTUATOR HOUSING	DI, ASTM A536
11	OP NUT / HANDWHEEL BOLT & WASHER	316 STAINLESS STEEL
12	NEEDLE BEARING	STEEL
13	COVER BOLT	18-8 STAINLESS STEEL
14	INDICATOR POINTER	CI, ASTM A-126
15	INDICATOR PIN	STEEL
16	INDICATOR PIN NUT	18-8 STAINLESS STEEL
17	COVER GASKET	BUNA-N
18	HOUSING END PLUG	STEEL
19	INPUT SHAFT O-RING, -208	BUNA-N
20	SHAFT BUSHING	BRONZE
21	MOUNTING BOLT	18-8 STAINLESS STEEL
22	INPUT SHAFT O-RING, -205	BUNA-N

THIS DWG. AND ALL INFORMATION IS OUR PROPERTY AND SHALL NOT BE USED, COPIED, OR REPRODUCED WITHOUT WRITTEN CONSENT. DESIGN AND INVENTION RIGHTS RESERVED.

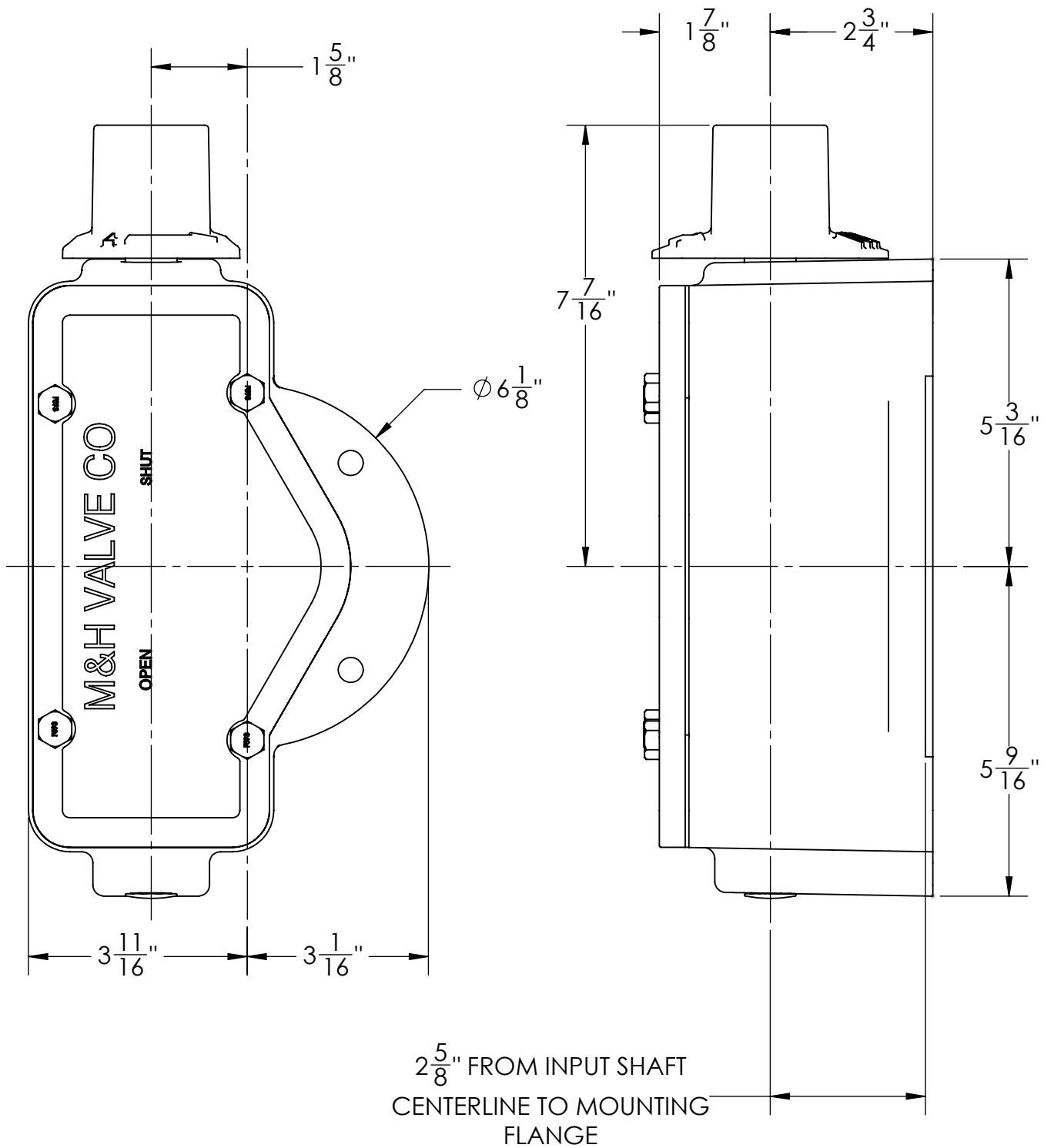


M&H VALVE COMPANY

A DIVISION OF McWANE INC.
P.O. BOX 2088
ANNISTON, ALABAMA 36202

DRAWN: CTJ
DATE: 7/14/20
DWG. NO.
AB1-I83-N11-0

M&H VALVE COMPANY FA12 OPERATOR
FOR BFV SIZES 3" - 12"
BILL OF MATERIAL DRAWING
18-8 STAINLESS STEEL FASTENERS



THIS DWG. AND ALL INFORMATION IS OUR PROPERTY AND SHALL NOT BE USED, COPIED, OR REPRODUCED WITHOUT WRITTEN CONSENT. DESIGN AND INVENTION RIGHTS RESERVED.



M&H VALVE COMPANY

A DIVISION OF McWANE INC.
 P.O. BOX 2088
 ANNISTON, ALABAMA 36202

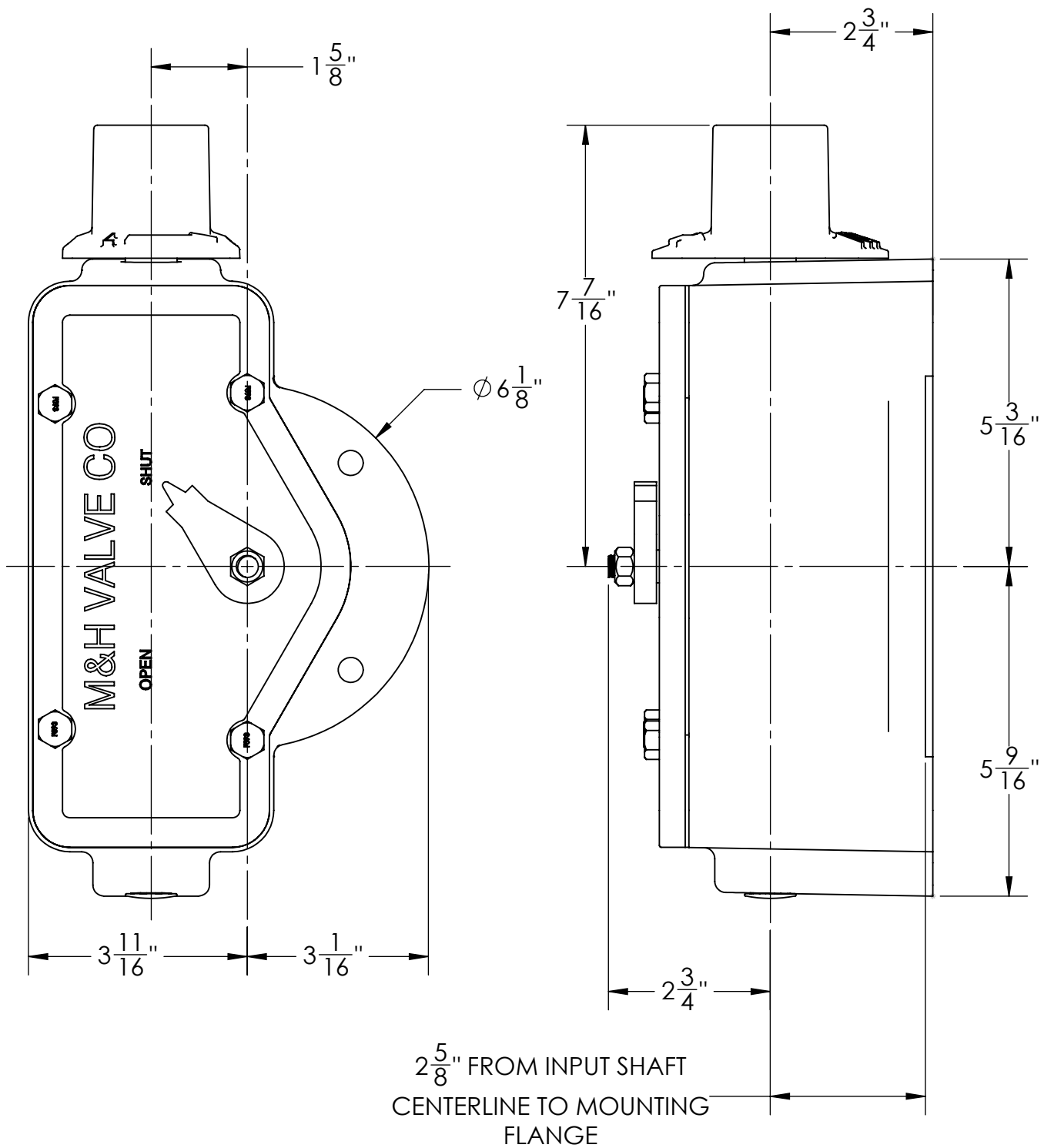
DRAWN: CTJ

DATE: 6/26/20

DWG. NO.

AD1-I11-L11-0

M&H VALVE COMPANY FA12 OPERATOR
 FOR BUTTERFLY VALVE SIZES 3" - 12"
 DIMENSIONAL ASSEMBLY DRAWING
 2" OPERATING NUT - OPEN LEFT



THIS DWG. AND ALL INFORMATION IS OUR PROPERTY AND SHALL NOT BE USED, COPIED, OR REPRODUCED WITHOUT WRITTEN CONSENT. DESIGN AND INVENTION RIGHTS RESERVED.



M&H VALVE COMPANY

A DIVISION OF McWANE INC.
 P.O. BOX 2088
 ANNISTON, ALABAMA 36202

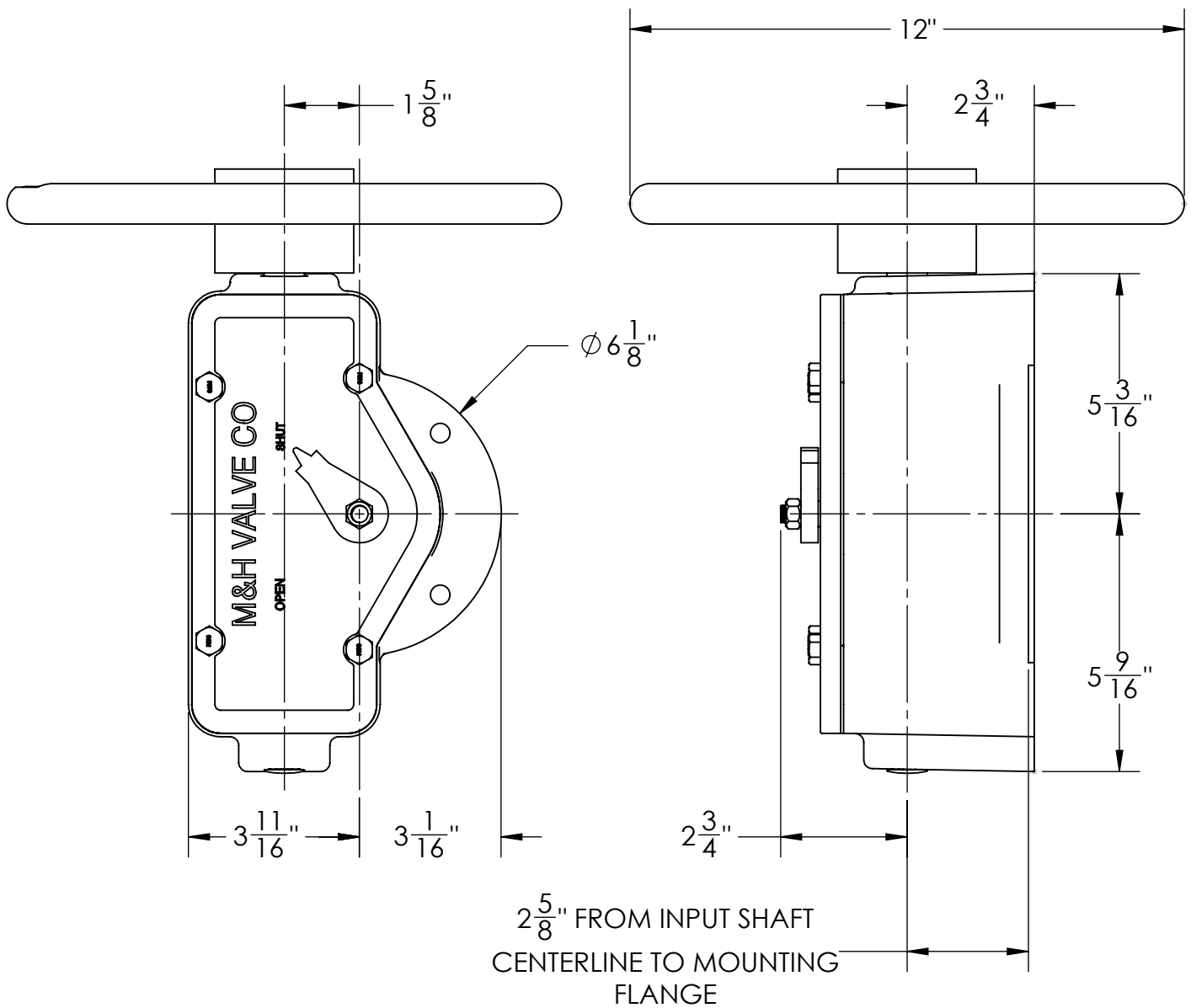
DRAWN: CTJ

DATE: 6/30/20

DWG. NO.

AD1-I12-L11-0

M&H VALVE COMPANY FA12 OPERATOR
 FOR BUTTERFLY VALVE SIZES 3" - 12"
 DIMENSIONAL ASSEMBLY DRAWING
 2" OPERATING NUT & POSITION INDICATOR
 OPEN LEFT



THIS DWG. AND ALL INFORMATION IS OUR PROPERTY AND SHALL NOT BE USED, COPIED, OR REPRODUCED WITHOUT WRITTEN CONSENT. DESIGN AND INVENTION RIGHTS RESERVED.



M&H VALVE COMPANY

A DIVISION OF McWANE INC.
P.O. BOX 2088
ANNISTON, ALABAMA 36202

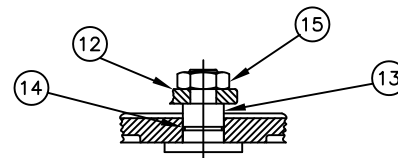
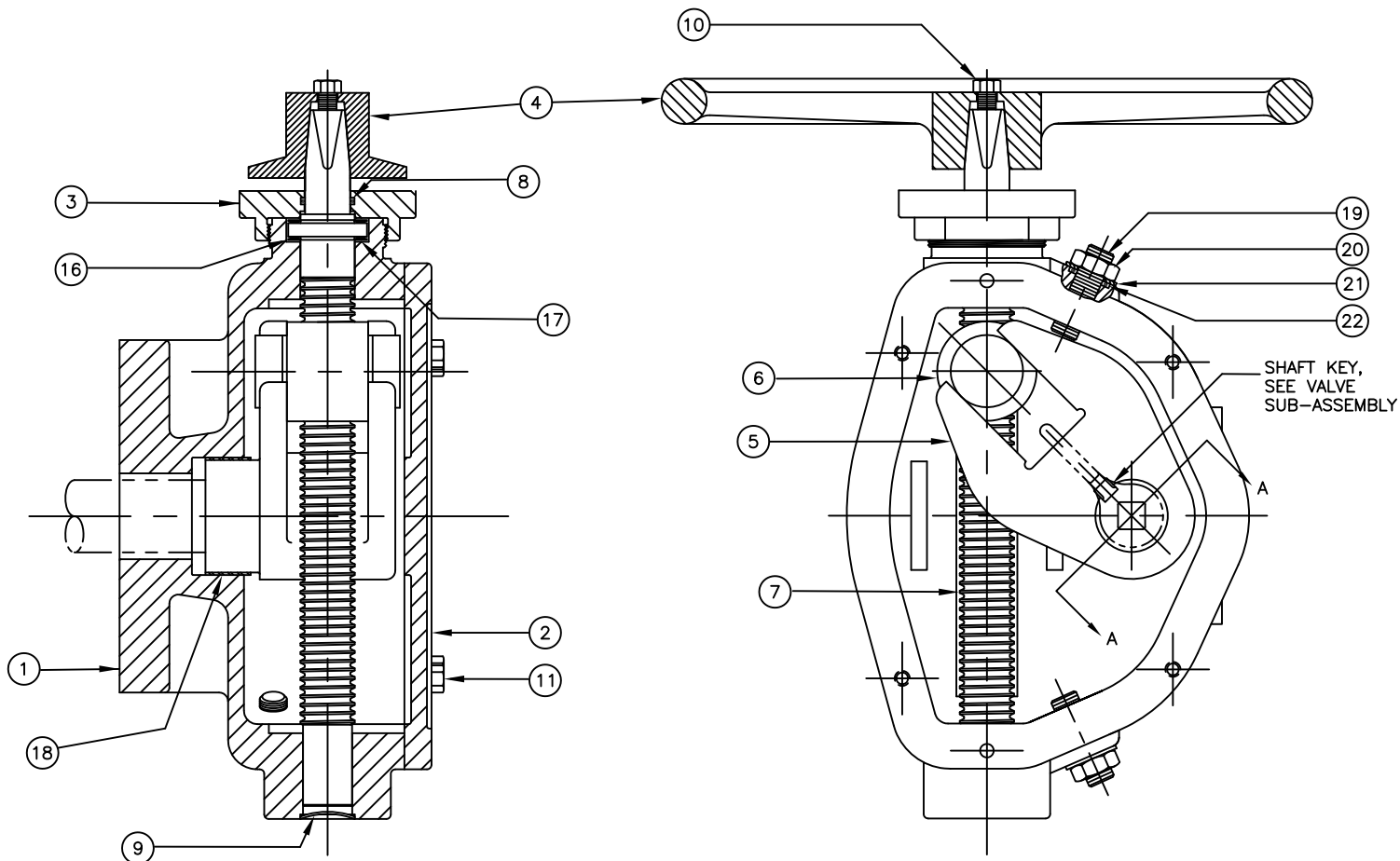
DRAWN: CTJ

DATE: 6/30/20

DWG. NO.

AD1-I22-L11-0

M&H VALVE COMPANY FA12 OPERATOR
FOR BUTTERFLY VALVE SIZES 3" - 12"
DIMENSIONAL ASSEMBLY DRAWING
12" HANDWHEEL & POSITION INDICATOR
OPEN LEFT



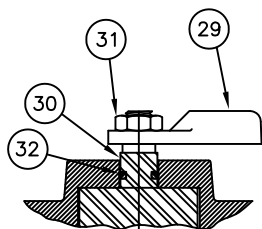
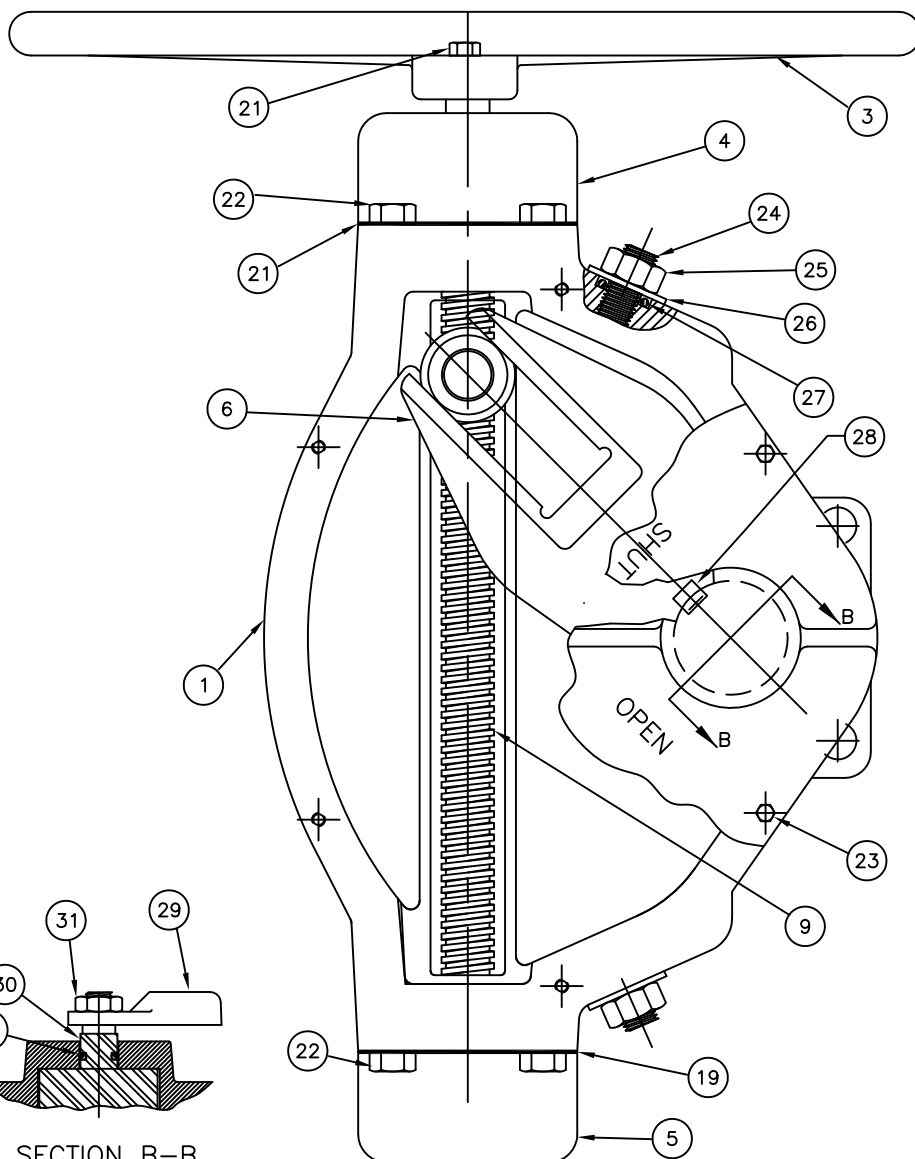
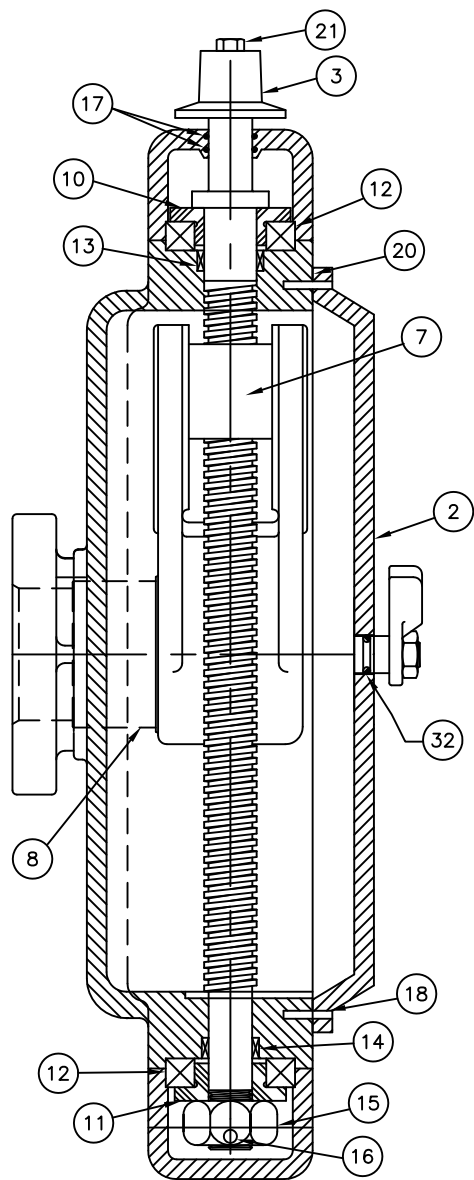
ITEM NO.	DESCRIPTION	MATERIAL
1	HOUSING, OPERATOR	CAST IRON, A-126 CL. B
2	COVER, HOUSING	CAST IRON, A-126 CL. B
3	CAP, THRUST	CAST IRON, A-126 CL. B
4	AS REQUIRED(handwheel or operator nut)	CAST IRON, A-126 CL. B
5	LEVER	DUCTILE IRON, A-536, GR. 65-45-12
6	CROSSHEAD	C.D. STEEL, 12L14
7	SHAFT, INPUT	C.D. STEEL, 12L14
8	SEAL, CAP	BUNA "N"
9	PLUG, EXPANSION	BRASS, COMMERCIAL
10	BOLT, HEXHEAD	STEEL, COMMERCIAL
11	BOLT, HEXHEAD (COVER)	STEEL, COMMERCIAL
12	INDICATOR	CAST IRON, A-126 CL. B
13	INDICATOR PIN	C.D. STEEL
14	SEAL (INDICATOR PIN)	BUNA "N"
15	NUT, HEX (INDICATOR PIN)	STEEL, COMMERCIAL
16	BEARING, NEEDLE THRUST	STEEL, COMMERCIAL
17	RACE, THRUST	HARDENED STEEL
18	BUSHING	NYLON (MOLY-DISULFIDE FILLED)
19	STUD (LEVER ADJUSTMENT)	STAINLESS STEEL, 18-8
20	NUT, HEX (LEVER ADJUSTMENT)	STEEL, COMMERCIAL
21	WASHER (LEVER ADJUSTMENT)	STEEL, COMMERCIAL
22	O-RING (LEVER ADJUSTMENT)	BUNA "N"

NOTE: ITEM 10 & 11 IS AVAILABLE IN 18-8/316 STAINLESS STEEL WHEN REQUESTED.

M&H VALVE COMPANY
ANNISTON, ALABAMA
A DIVISION OF MCWANE INC.

DWN: TRIJ
DATE: 9/1/06
DWG. NO.
BFV-OP-4

SUB-ASSEMBLY / MATERIAL LIST
M&H 510, 1250 & 2200 OPERATOR



SECTION B-B

ITEM NO.	DESCRIPTION	MATERIAL	NO. REQ.
1	OPERATOR HOUSING	CAST IRON, ASTM A-126 CL. B	1
2	HOUSING COVER	CAST IRON, ASTM A-126 CL. B	1
3	OPERATOR NUT OR HANDWHEEL	CAST IRON, ASTM A-126 CL. B	1
4	END CAP (INPUT)	CAST IRON, ASTM A-126 CL. B	1
5	END CAP (LOCK NUT)	CAST IRON, ASTM A-126 CL. B	1
6	LEVER	DUCTILE IRON, ASTM A-536, GR. 65-45-12	1
7	CROSSHEAD	CDS 12L14	1
8	BUSHING	NYLATRON GS	1
9	INPUT SHAFT	CDS AISI C1141 (LEADED)	1
10	BEARING RETAINER	CDS AISI C1117 (LEADED)	1
11	BEARING RETAINER	CDS AISI C1117 LEADED	1
12	BALL THRUST BEARING	COMMERCIAL STEEL	2
13	SLEEVE BEARING	OILITE BRONZE	1
14	SLEEVE BEARING	OILITE BRONZE	1
15	SLOTTED NUT	COMMERCIAL STEEL	1
16	LOCK PIN	COMMERCIAL STEEL	1
17	END CAP SEAL	BUNA "N"	2

ITEM NO.	DESCRIPTION	MATERIAL	NO. REQ.
18	DOWEL PIN	STEEL, COMMERCIAL	2
19	END CAP GASKET	LOCTITE MASTER GASKET	2
20	COVER GASKET	LOCTITE MASTER GASKET	1
21	HEX HEAD CAP SCREW	COMMERCIAL STEEL	1
22	HEX HEAD CAP SCREW	COMMERCIAL STEEL	8
23	HEX HEAD CAP SCREW	COMMERCIAL STEEL	6
24	SETSCREW (LEVER ADJUSTMENT)	18-8 SS	2
25	HEX JAM NUT(LEVER ADJUSTMENT)	COM. STEEL-ASTM A563 GRADE A, ZINC PLATED-ASTM B-633	2
26	WASHER (LEVER ADJUSTMENT)	COM. STEEL-ASTM A563 GRADE A, ZINC PLATED-ASTM B-633	2
27	O-RING (LEVER ADJUSTMENT)	BUNA "N"	2
28	KEY	COMMERCIAL STEEL	1
*29	INDICATOR	CAST IRON A-126 CL. B	1
*30	INDICATOR PIN	COMMERCIAL STEEL	1
*31	NUT, HEX (INDICATOR PIN)	COMMERCIAL STEEL	1
*32	O-RING (INDICATOR PIN)	BUNA "N"	1

* PARTS FOR HANDWHEEL ACTUATOR WITH POSITION INDICATOR

M&H VALVE COMPANY
ANNISTON, ALABAMA
A DIVISION OF MCWANE INC.

DWN: TRIJ
DATE: 8/24/11
DWG. NO.
BFV-OP-2

SUB-ASSEMBLY / MATERIAL LIST
M&H 4350 OPERATOR