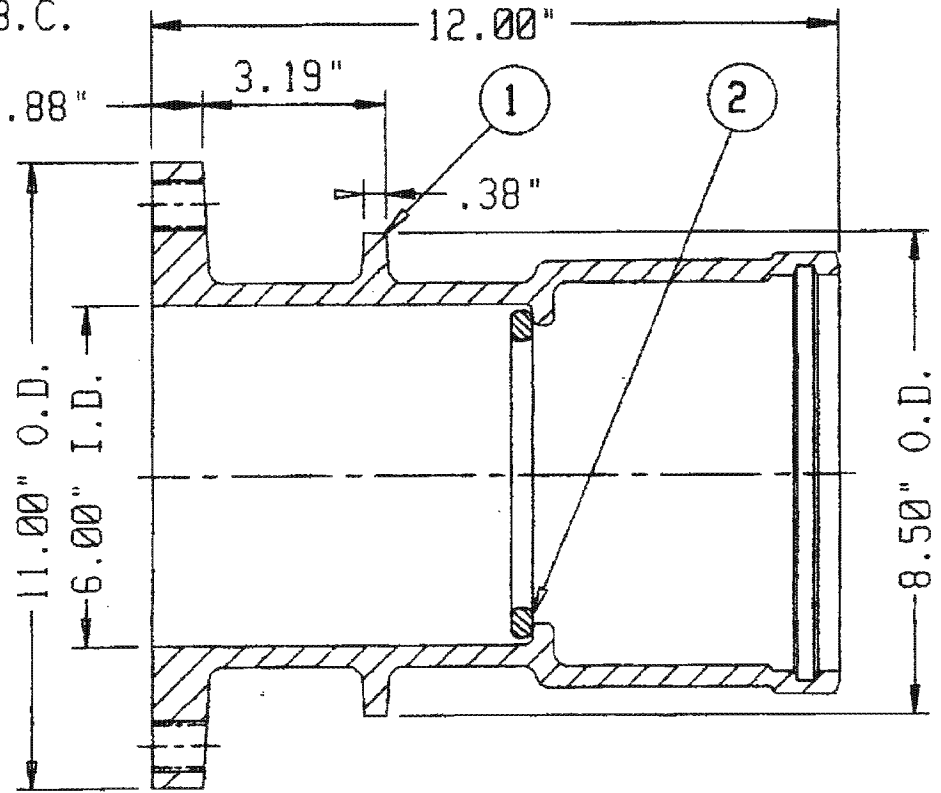
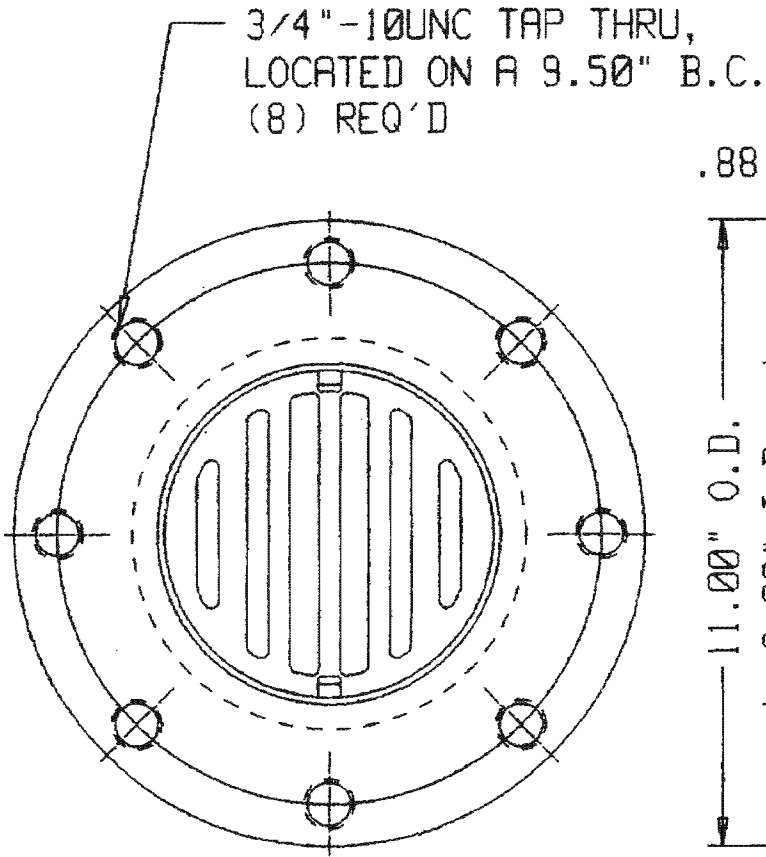


Parts List

Item	Description	Required	Material
1	Wall Thimble	1	Cast Iron A126B
2	Grating	1	Cast Iron A126B



Can be extended to any length by using C900 P.V.C.

MATERIAL:	<b>6" WALL THIMBLE WITH REMOVABLE GRATE</b>
DATE:	
<b>TROY VALVE</b> Troy, PA	NO. <b>192001</b>