

CLOW CANADA

350mm - 400mm R/W NRS INDICATOR POST VALVE (all styles) MATERIAL LIST

PROJECT

OWNER

CONTRACTOR

DISTRIBUTOR

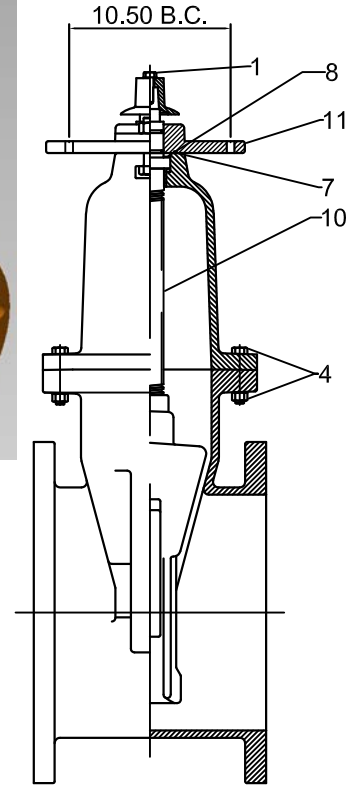
CONSULTANT

MODEL 2638 - AWWA C515 - REDUCED WALL DUCTILE IRON

ITEM	DESCRIPTION	MATERIAL	ASTM SPEC.
1	HEX HEAD BOLT	STAINLESS STEEL	ASTM F593 304 ST STL
2	FLAT WASHER	STAINLESS STEEL	304 ST STL
3	OPERATING NUT	GRAY IRON	ASTM A126 CL B
4	HEX HEAD BOLTS & NUTS	STAINLESS STEEL	ASTM F593/4 304 ST STL
6	STEM O RING	RUBBER	ASTM D-2000
7	FOLLOWER PLATE O RING/ GASKET	RUBBER	ASTM D-2000
8	THRUST WASHER BEARING	DELTRIN	
9	HEX HEAD BOLTS & NUTS	STAINLESS STEEL	ASTM F593/4 304 ST STL
10	STEM	BRONZE	ASTM B584 C83600
11	INDICATOR POST PLATE	DUCTILE IRON	ASTM A536 65-45-12
12	COVER	DUCTILE IRON	ASTM A536 65-45-12
13	COVER O RING	RUBBER	ASTM D-2000
14	STEM NUT	BRONZE	ASTM B584 C83600
15	WEDGE	12"-16" DUCTILE IRON & BUNA	ASTM A536 65-45-12
16	BODY - ALL TYPES	DUCTILE IRON	ASTM A536 65-45-12



F-6100 PIV MJ SHOWN



F-6102 PIV FLG SHOWN



APPLICATIONS
FIRE WATER
POTABLE WATER



FIGURE #	AVAILABLE INDICATOR POST END CONNECTIONS	SIZE
F-6102	FLG END (NRS) (ANSI B16.1 CLASS 125)	14" - 16"
F-6100	M.J. (ANSI A-21.11)	14" - 16"
F-6106	FLG x M.J.	14" - 16"
F-6112	TYTON for D.I. & C900 PVC (AWWA C111 / A21.11)	14" - 16"

TEST DATA

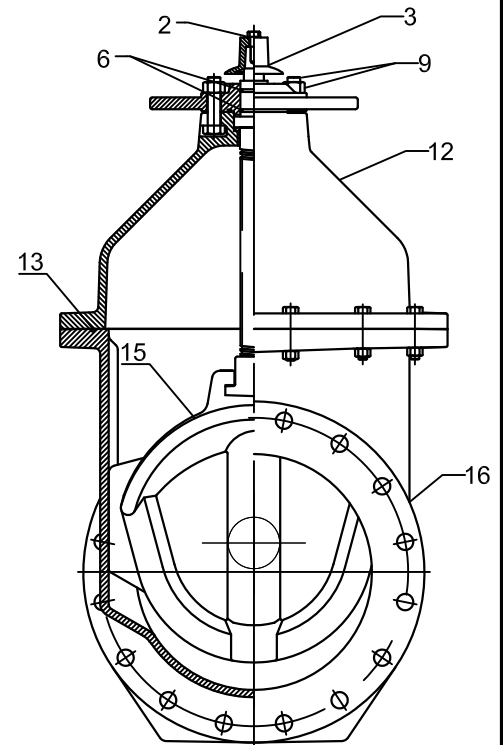
SIZE RANGE	RATED WORKING WATER PRESSURE PSI	BUBBLE TIGHT	HYDROSTATIC SHELL TEST PSI
AWWA 14" - 16"	250	250	500
UL/FM 14" - 16"	200	200	400

CERTIFICATIONS

Complies with the **FM** standard for **FIRE SERVICE CONTROL VALVES**
Complies with Underwriters Laboratory standard UL 262 & UL Canada 312
 Electrostatically applied Epoxy Coating per **AWWA C550** complies with **NSF 61**
 Indicator Post Valves comply with **NFPA 24** standards
NSF/ANSI 372 COMPLIANT - DRINKING WATER SYSTEMS COMPONENTS - LEAD CONTENT
 80% - 90% RECYCLED CONTENT as defined by LEED - **New Construction and Major Renovation version 2.2**

PHYSICAL PROPERTIES

Temperature range - 32 to 125 degrees Fahrenheit / 0 to 52 degrees Celsius
 250 PSI / 17.2 bar non - shock cold working pressure
 100% full port - smooth waterway no pockets or cavities
 Valve has been cycle tested 5,000 times without loss of bubble-tight seal
 Valve has been subjected to torques 150% of the designated minimum required torques
 Can be supplied with 2:1 gear operator for high pressure applications



F-6102 PIV FLG SHOWN

CLOW CANADA

350mm - 400mm R/W VALVE MECHANICAL JOINT
GENERAL DIMENSIONS

PROJECT

OWNER

CONTRACTOR

DISTRIBUTOR

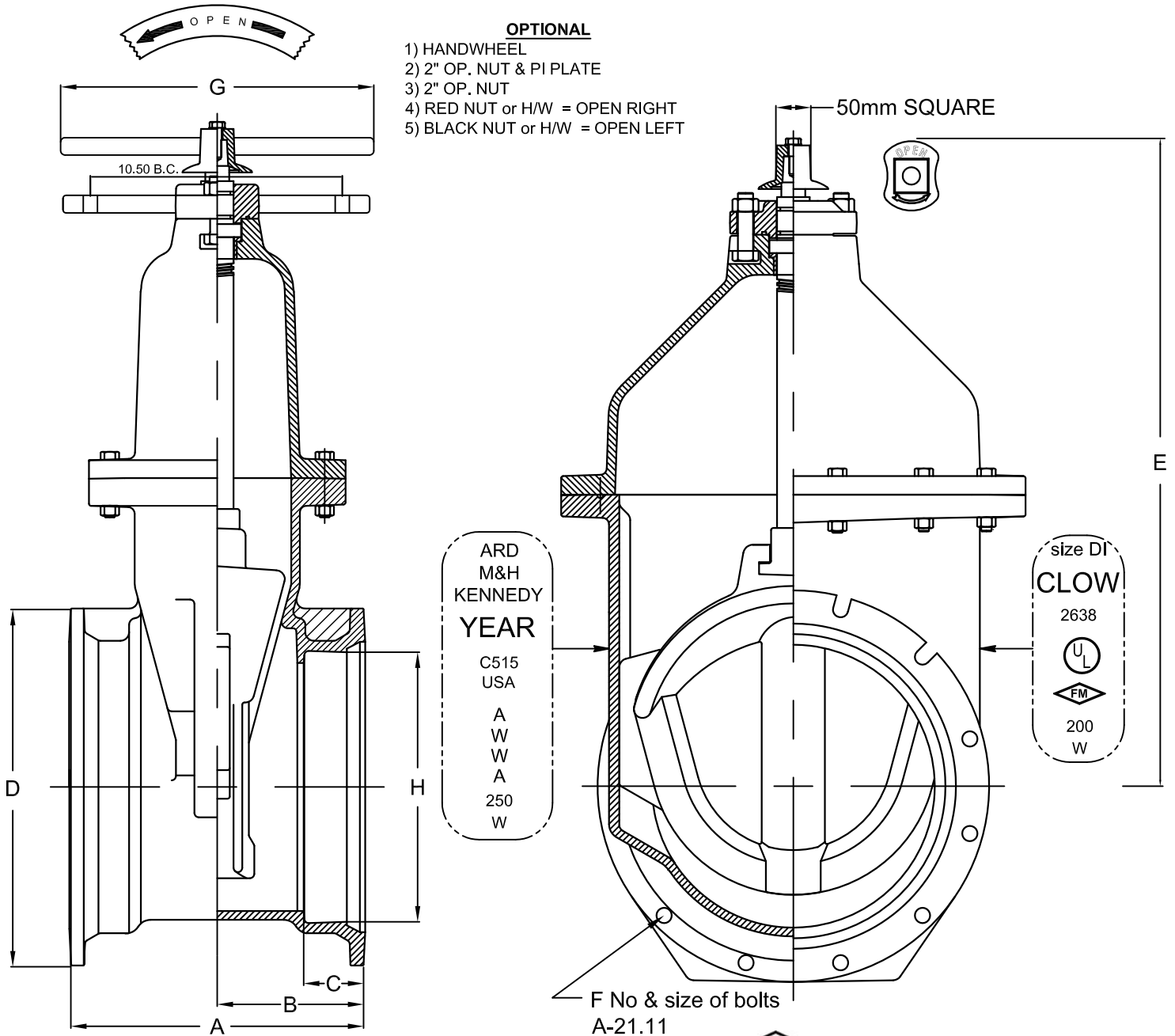
CONSULTANT

CLOW FIGURE NUMBER F-6100

CLOW MODEL 2638 AWWA C515
REDUCED WALL DUCTILE IRON

OPTIONAL

- 1) HANDWHEEL
- 2) 2" OP. NUT & PI PLATE
- 3) 2" OP. NUT
- 4) RED NUT or H/W = OPEN RIGHT
- 5) BLACK NUT or H/W = OPEN LEFT



350mm & 400mm MECHANICAL JOINT VALVE METRIC DIMENSIONS

VALVE SIZE	A	B	C	D	E	F	G	H	NUMBER of TURNS	WEIGHT W/2" NUT	WEIGHT W/HW	WEIGHT PI PLATE
350	432	216	89	514	959	10 - 19	457	362	52	625 lbs	644 lbs	641 lbs
400	432	216	89	572	959	12 - 19	457	413	52	675 lbs	694 lbs	691 lbs

CLOW CANADA

PROJECT

OWNER

CONTRACTOR

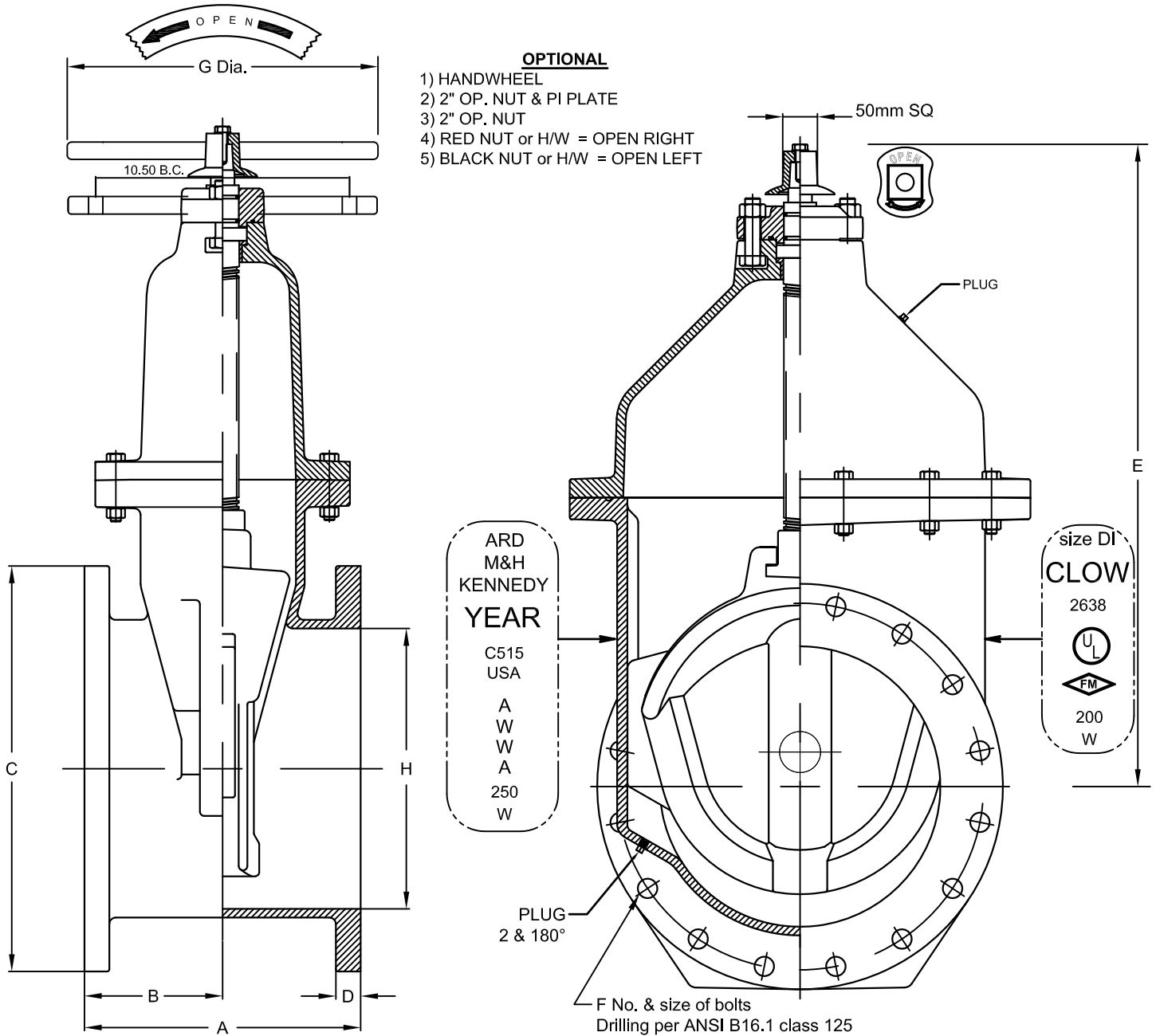
DISTRIBUTOR

CONSULTANT

350mm - 400mm R/W VALVE FLANGED END GENERAL DIMENSIONS

CLOW FIGURE NUMBER F-6102

CLOW MODEL 2638 AWWA C515
REDUCED WALL DUCTILE IRON



350mm & 400mm FLANGED VALVE METRIC DIMENSIONS

VALVE SIZE	A	B	C	D	E	F	G	H	NUMBER of TURNS NO GEAR	WEIGHT W/2" NUT	WEIGHT W/HW	WEIGHT PI PLATE
350	381	190	533	35	959	12-25	457	362	52	665 lbs	690 lbs	681 lbs
400	406	203	597	37	959	16-25	457	416	52	720 lbs	745 lbs	736 lbs

CLOW CANADA

350 - 400 R/W VALVE FLG x MJ END
GENERAL DIMENSIONS

PROJECT

OWNER

CONTRACTOR

DISTRIBUTOR

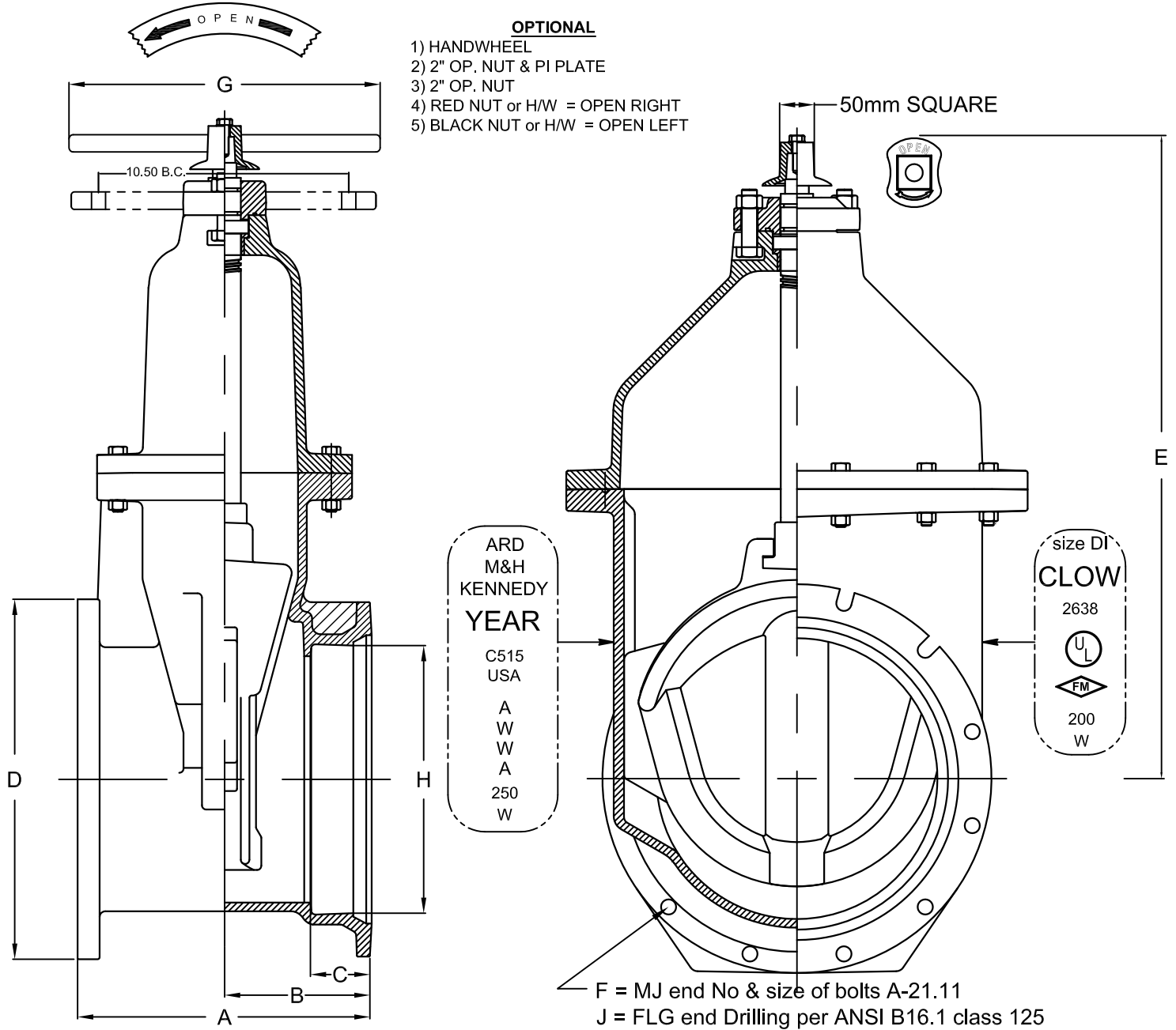
CONSULTANT

CLOW FIGURE NUMBER F-6106

CLOW MODEL 2638 AWWA C515
REDUCED WALL DUCTILE IRON

OPTIONAL

- 1) HANDWHEEL
- 2) 2" OP. NUT & PI PLATE
- 3) 2" OP. NUT
- 4) RED NUT or H/W = OPEN RIGHT
- 5) BLACK NUT or H/W = OPEN LEFT



350mm & 400mm FLANGED x M.J. VALVE METRIC DIMENSIONS

VALVE SIZE	A	B	C	D	E	F	G	H	J	NUMBER of TURNS	WEIGHT W/2" NUT	WEIGHT W/HW	WEIGHT PI PLATE
350	430	215	89	533	959	10 - 19	457	362	12 - 25	52	750 lbs	768 lbs	766 lbs
400	430	215	89	597	959	12 - 19	457	413	16 - 25	52	850 lbs	868 lbs	866 lbs

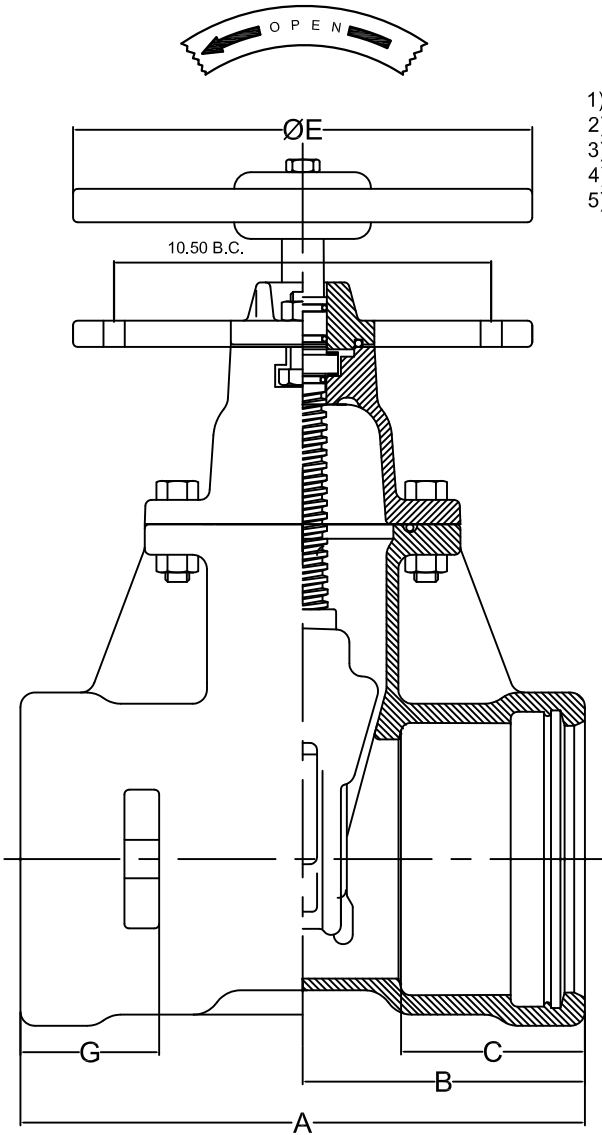
CLOW CANADA

PROJECT
OWNER
CONTRACTOR
DISTRIBUTOR
CONSULTANT

350mm - 400mm R/W VALVE TYTON END
GENERAL DIMENSIONS

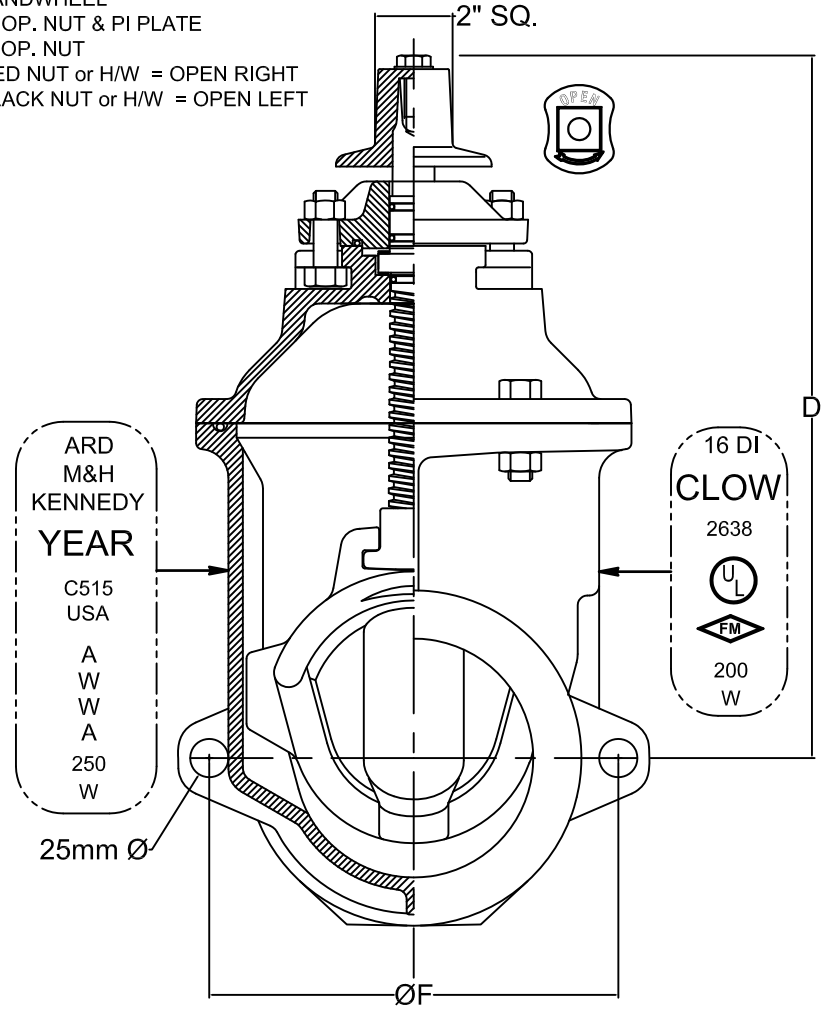
CLOW FIGURE NUMBER F-6112

CLOW MODEL 2638 AWWA C515
REDUCED WALL DUCTILE IRON



OPTIONAL

- 1) HANDWHEEL
- 2) 2" OP. NUT & PI PLATE
- 3) 2" OP. NUT
- 4) RED NUT or H/W = OPEN RIGHT
- 5) BLACK NUT or H/W = OPEN LEFT



TYTON ENDS PER ANSI / AWWA C111 / A21.11



350mm & 400mm TYTON VALVE METRIC DIMENSIONS											
VALVE SIZE	A	B	C	D	E	F	G	WEIGHT W/2" NUT	WEIGHT W/HW	WEIGHT PI PLATE	NUMBER of TURNS
350	533	267	127	984	660	566	64	716 lbs	735 lbs	732 lbs	52
400	611	306	172	959	660	570	64	726 lbs	745 lbs	742 lbs	52