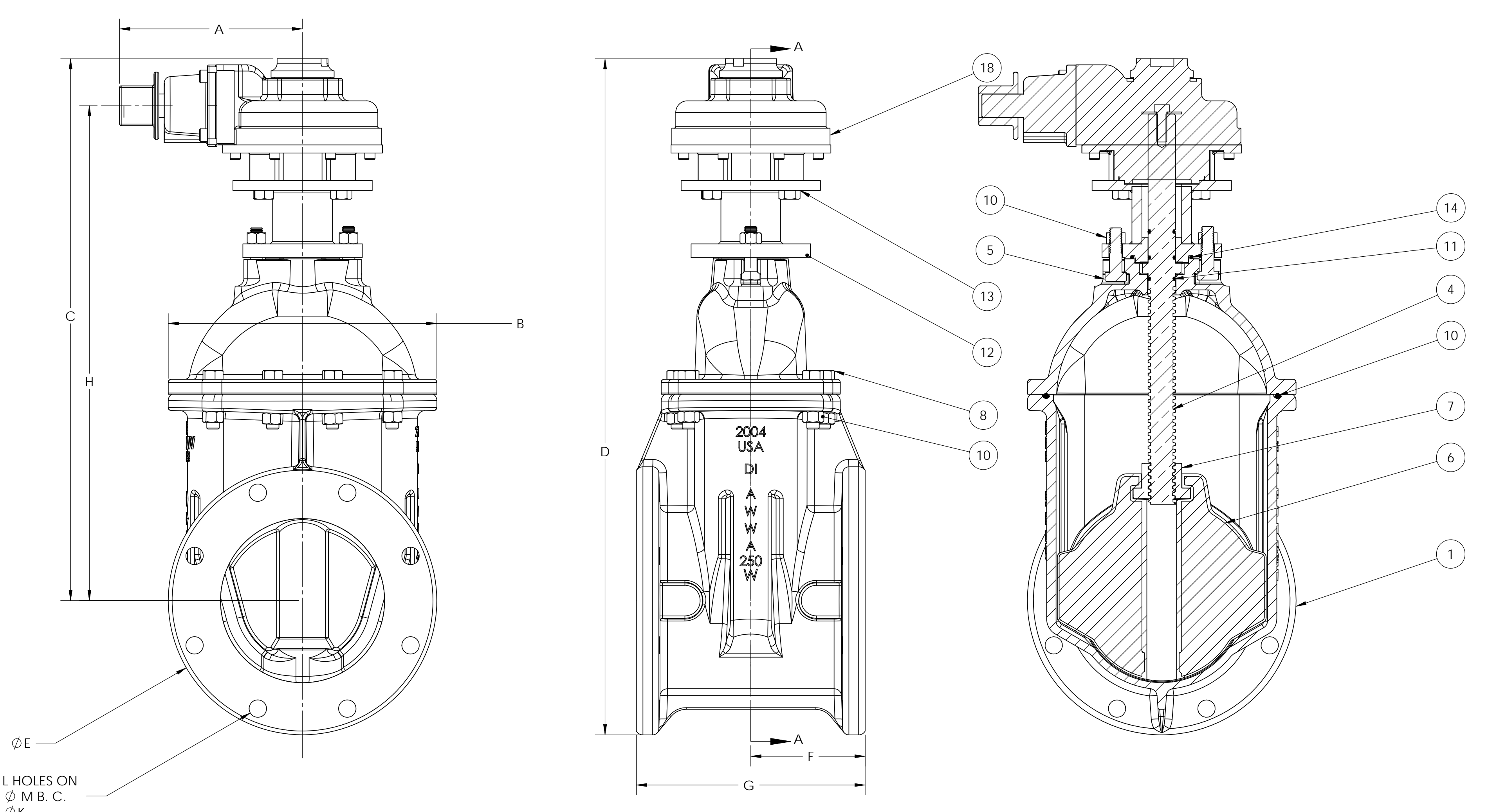


A B C D E F G H I J K L M N O P Q R S T U V W X Y Z



DET.	DESCRIPTION	MATERIAL
1	Body	Cast Iron
2	Cover	Cast Iron
3	Thrust Washer	ACETAL
4	Stem	C86700
5	Hex Head Bolt	304 SS
6	Wedge Asm	CI w/ EPDM
7	Stem Nut	C99500 (NDZ-S)
8	Hex Head Bolt	304 SS
9	Hex Nut	304 SS
10	O Ring	EPDM
11	O Ring	EPDM
12	Extension	CR Steel
13	Hex Head Bolt	304 SS
14	O Ring	EPDM
15	Hex Bolt	Steel (Zn Plt)
16	Flat Washer	Steel (Zn Plt)
17	Key	Steel
18	Bevel Gear ASM IB2 / IB3	

NOTE: BEVEL GEAR CAN BE ROTATED TO ANY 90 QUADRENT

SIZE	A	B	C	D	E	F	G	H	K	L	M
4"	9 1/8	9	27 3/4	27 1/4	9	4 1/2	9	19 7/16	3/4	8	7 1/2
6"	9 1/8	11 3/8	30 7/8	30 7/8	11	5 1/4	10 1/2	22 1/2	7/8	8	9 1/2
8"	9 1/8	13 1/2	34 5/8	34 5/8	13 1/2	5 3/4	11 1/2	26 5/16	7/8	8	11 3/4
10"	9 1/8	16	38 1/2	38 1/2	16	6 1/2	13	30 3/16	1"	12	14 1/4
12"	9 1/8	19	41 3/4	41 3/4	19	7	14	33 7/16	1"	12	17

L HOLES ON
Ø M.B.C.
ØK

15 16 17
On end of shaft, under cover

<p>TOLERANCES UNLESS OTHERWISE SPECIFIED. DO NOT SCALE DWG. WORK TO DIMENSIONS GIVEN.</p> <p>MACHINED DIM. DECIMAL ± .005 FRACT. = 1/64 ANGLES ± 1° SURF. FIN. 125 RADI 1/32</p>		<p>CASTING DIM. 0-4 ± 1/32 4-8 ± 3/64 8-12 ± 1/16 12-18 ± 3/32 18 UP ± 1/8 RADI 1/8 DRAFT 2°</p>		<p>THIS DWG. AND ALL INFORMATION THEREON IS PROPERTY OF CLOW VALVE COMPANY AND SHALL REMAIN THE PROPERTY OF CLOW VALVE COMPANY UNLESS OTHERWISE NOTED. DESIGN & INVENTION RIGHTS RESERVED.</p>		<p>MATL: SCALE 1:4 FILE NAME D-22926 SOFTWARE SolidWorks</p>		<p>CLOW CLOW VALVE COMPANY OSKALOOSA, IOWA DIV. OF McWANE INC.</p>	
DR	JES	DATE	06/27/12	TITLE	4" - 12" RS GATE VALVE W/ 1:1 BEVEL GEAR DRIVE			ROUGH PART NO.	REFERENCE
ESTIMATED WEIGHT								FINISHED PART NO.	DWG. NO. D-22926