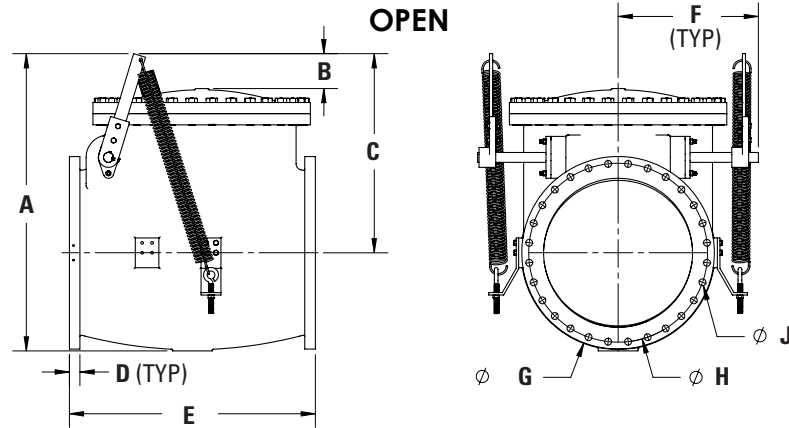




KENNEDY VALVE

CHECK VALVE WITH LEVER & SPRING SIZES 14"-30" FULL WALL / DOMESTIC



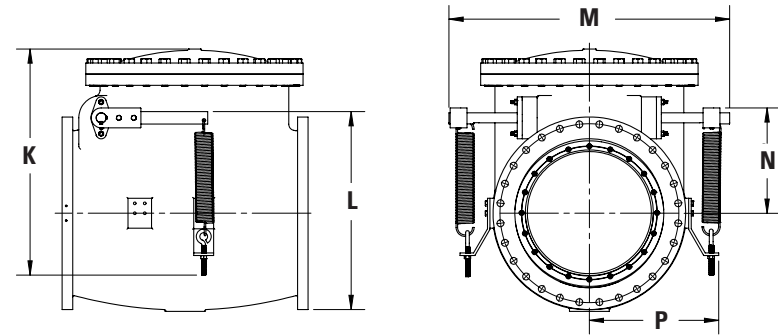
LEVER & SPRING CHECK VALVE - OPEN

Size	A	B	C	D	E	F	G	H	J
14	35-7/16	5-3/4	24-11/16	1-3/8	30	18-1/2	21	18-3/4	1-1/8
16	39-3/8	4-11/16	26-1/2	1-7/16	35	18-15/16	23-1/2	21-1/4	1-1/8
18	41-1/2	4-1/2	27-13/16	1-9/16	36-1/2	20-3/4	25	22-3/4	1-1/4
20	42-5/8	4-7/16	28-7/8	1-11/16	36-5/8	22-1/2	27-1/2	25 B.C.	1-1/4
24	54-3/4	8-3/4	36-3/4	1-7/8	44	26	32	29-1/2 B.C.	1-3/8
30	59-13/16	7	40-1/16	2-1/8	49-1/2	28-1/4	38-3/4	36	1-3/8

NOTES:

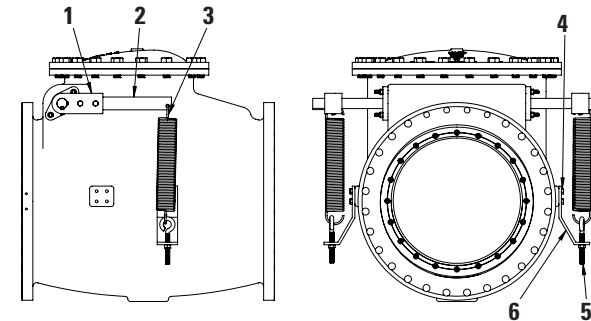
1. Flow direction is specified on valve.
2. Valve will meet or exceed AWWA C508 requirements.
3. Rated and tested for 150psi working pressure.
4. Valves are suitable for horizontal or vertical position installation.
5. Reference AWWA C508 for flanges and drilling.
6. Bolts on each flange (no threaded holes).

CLOSED



LEVER & SPRING CHECK VALVE - CLOSED

Size	K	L	M	N	P
14	30-9/16	21-3/4	37	12	18-1/2
16	35-11/16	24-7/8	38-3/8	13-7/8	19-3/8
18	37	26-1/2	41-1/2	14-3/4	19-3/8
20	38-3/16	28-9/16	45	15-9/16	19-1/2
24	46	33-1/4	52	18	23-3/4
30	45-1/2	39-13/16	56-1/2	21-3/16	26



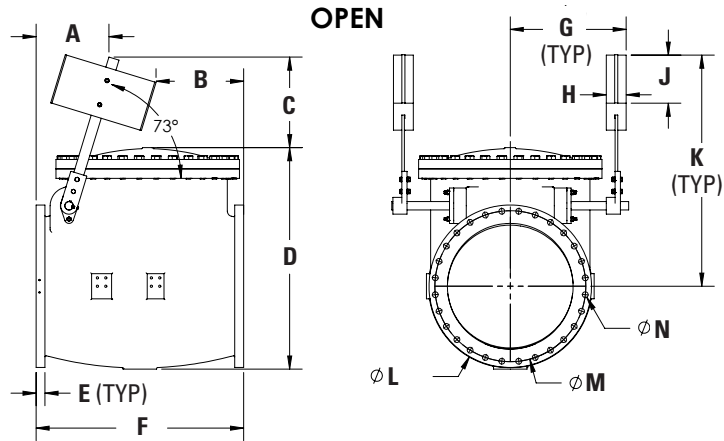
LEVER & SPRING CHECK VALVE ASSEMBLY

ITEM No.	DESCRIPTION	MATERIAL
1	Spring Arm Lever	Ductile Iron A536 65-45-12 or 70-50-05
2	Spring Arm Bar	CR Steel C-1018 / 1020
3	Spring	Steel
4	Spring Bracket Cap Screw	Steel A-307 Grade B
5	Spring Eyebolt	Steel A-307 Grade B
6	Spring Bracket	Steel



KENNEDY VALVE

CHECK VALVE WITH LEVER & WEIGHT SIZES 14"-30" FULL WALL / DOMESTIC

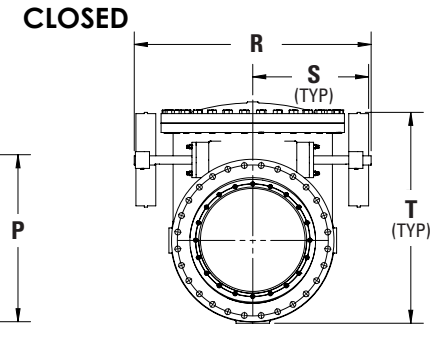


LEVER & WEIGHT CHECK VALVE - OPEN

Size	A	B	C	D	E	F	G	H	J	K	L	M	N
14	11-7/16	13-5/8	21-5/16	29-11/16	1-3/8	30	18-1/4	2-3/4	11-3/4	40-1/4	21	18-3/4 B.C.	1-1/8
16	14-15/16	15-7/16	20	34-11/16	1-7/16	35	19-5/16	2-3/4	11-9/16	41-13/16	23-1/2	21-1/4 B.C.	1-1/8
18	16-11/16	13-3/16	18-15/16	37	1-9/16	36-1/2	21-1/4	4-3/4	11-3/8	42-7/16	25	22-3/4 B.C.	1-1/4
20	12-7/8	17-15/16	19-3/8	38-3/16	1-11/16	37-5/8	21-5/8	4-3/4	11-3/4	43-13/16	27-1/2	25 B.C.	1-1/4
24	18-1/8	16-1/2	23-1/4	46	1-7/8	44	25-7/8	4-3/4	11-7/16	51-7/8	32	29-1/2 B.C.	1-3/8
30	17-3/8	20-7/8	21-9/16	52-13/16	2-1/8	49-1/2	27-5/8	4-3/4	11-1/2	55-1/8	38-3/4	36 B.C.	1-3/8

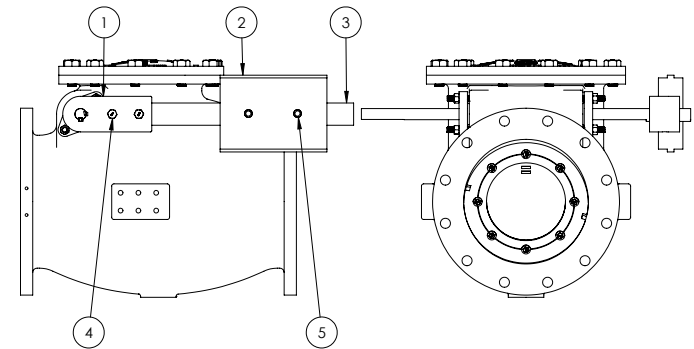
NOTES:

1. Flow direction is specified on valve.
2. Valve will meet or exceed AWWA C508 requirements.
3. Rated and tested for 150psi working pressure.
4. Valves are suitable for horizontal or vertical position installation.
5. Reference AWWA C508 for flanges and drilling.
6. Bolts on each flange (no threaded holes).



LEVER & WEIGHT CHECK VALVE - CLOSED

Size	P	Q	R	S	T
14	21-3/4	36-15/16	37	18-1/4	25
16	24-7/8	38-7/8	38-5/16	19-5/16	29-1/8
18	26-1/2	38-13/16	42	21-1/4	32-13/16
20	28-9/16	38-3/8	45	21-5/8	33-11/16
24	33-1/4	44-11/16	52	25-7/8	43-3/8
30	39-13/16	44-9/16	56-1/2	27-5/8	50-5/16



LEVER & WEIGHT COMPONENTS

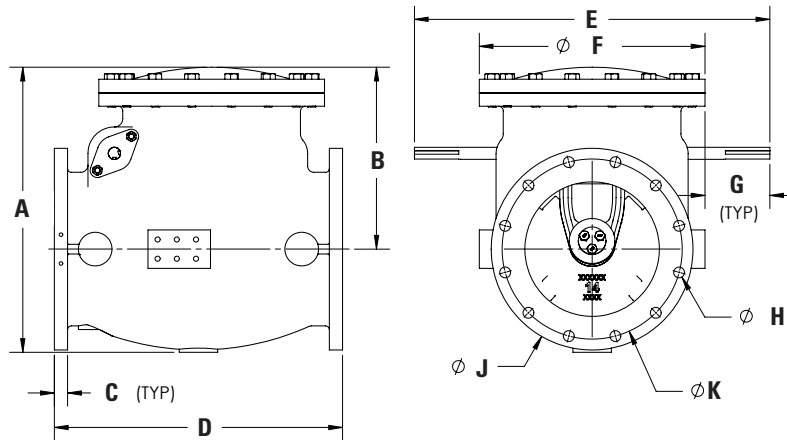
ITEM No.	DESCRIPTION	MATERIAL
1	Weight Lever Arm	Ductile Iron A536 65-45-12 or 70-50-05
2	Weight	Fab. Steel
3	Weight Arm Bar	CR Steel C-1018/1020
4	Arm Bar Fastener*	18-8 Stainless Steel
5	Weight Torque Plug*	18-8 Stainless Steel

* For sizes 14"-24" only



KENNEDY VALVE

PLAIN CHECK VALVE SIZES 14"-30" FULL WALL / DOMESTIC

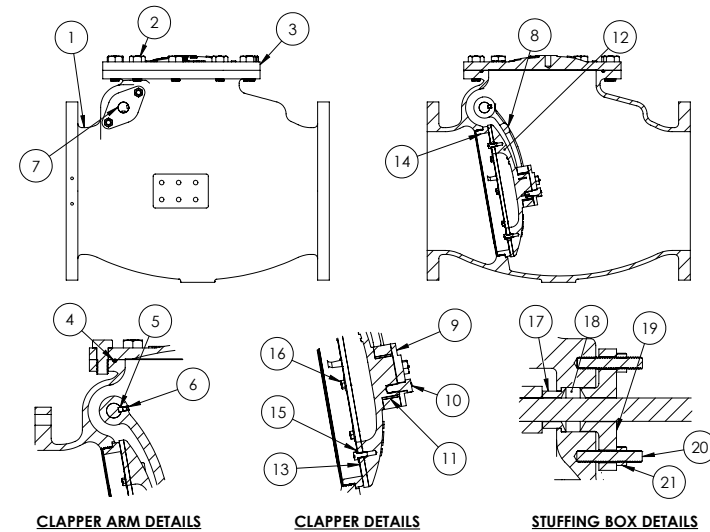


PLAIN CHECK VALVE DIMENSIONS

Size	A	B	C	D	E	F	G	H	J	K
14	29-11/16	18-15/16	1-3/8	30	37	23-1/2	6-3/4	1-1/8	21	18-3/4
16	34-11/16	21-13/16	1-7/16	35	38	27-3/4	5-1/8	1-1/8	23-1/2	21-1/4
18	37	23-5/16	1-9/16	36-1/2	41-1/2	27-1/2	7	1-1/4	25	22-3/4
20	38-3/16	24-7/16	1-11/16	37-5/8	45	32	6-1/2	1-1/4	27-1/2	25
24	46	28	1-7/8	44	52	38-3/4	6-5/8	1-3/8	32	29-1/2
30	52-7/16	33-1/16	2-1/8	49-1/2	56-1/2	43-3/4	6-3/8	1-3/8	38-3/4	36

NOTES:

1. Flow direction is specified on valve.
2. Valve will meet or exceed AWWA C508 requirements.
3. Rated and tested for 150psi working pressure.
4. Valves are suitable for horizontal or vertical position installation.
5. Reference AWWA C508 for flanges and drilling.
6. Bolts on each flange (no threaded holes).



MATERIAL LIST

ITEM No.	DESCRIPTION	MATERIAL
1	Body - F.E.	Ductile Iron A536 65-45-12 or 70-50-05
2	Cover Bolts	ASTMA-307 GR. B or a EZ Plated
3	Cover	Ductile Iron A536 65-45-12 or 70-50-05
4	Cover O-ring	Buna "N" Durometer 70 Approved
5	Clapper Arm Key	304 Stainless Steel
6	Set Screw	Alloy Steel (RC 45-63)
7	Hinge Pin	Stainless Steel ASTM A-276 Type 303
8	Clapper Arm	Ductile Iron A536 65-45-12 or 70-50-05
9	Clapper Cap Plate	304 Stainless Steel
10	Hex Bolt Cap Plate	18-8 Stainless Steel
11	Clapper Arm Bushing	Brass C26000
12	Clapper	Ductile Iron A536 65-45-12 or 70-50-05
13	Encapsulated Rubber Clamp Ring	Buna "N" Durometer 70 Approved
14	Body Ring	Bronze Alloy C89836
15	Washer, Flat	18-8 Stainless Steel
16	Hex Bolt Clamp Ring	18-8 Stainless Steel
17	Stuffing Box Bushing	Bronze Alloy C87850
18	Packing	Multi-Lok Braid Style ML2254 PTFE
19	Stuffing Box Gland	Ductile Iron A536 65-45-12 or 70-50-05
20	Stud	Steel ASTM A307, EZ Plated
21	Hex Nut	18-8 Stainless Steel