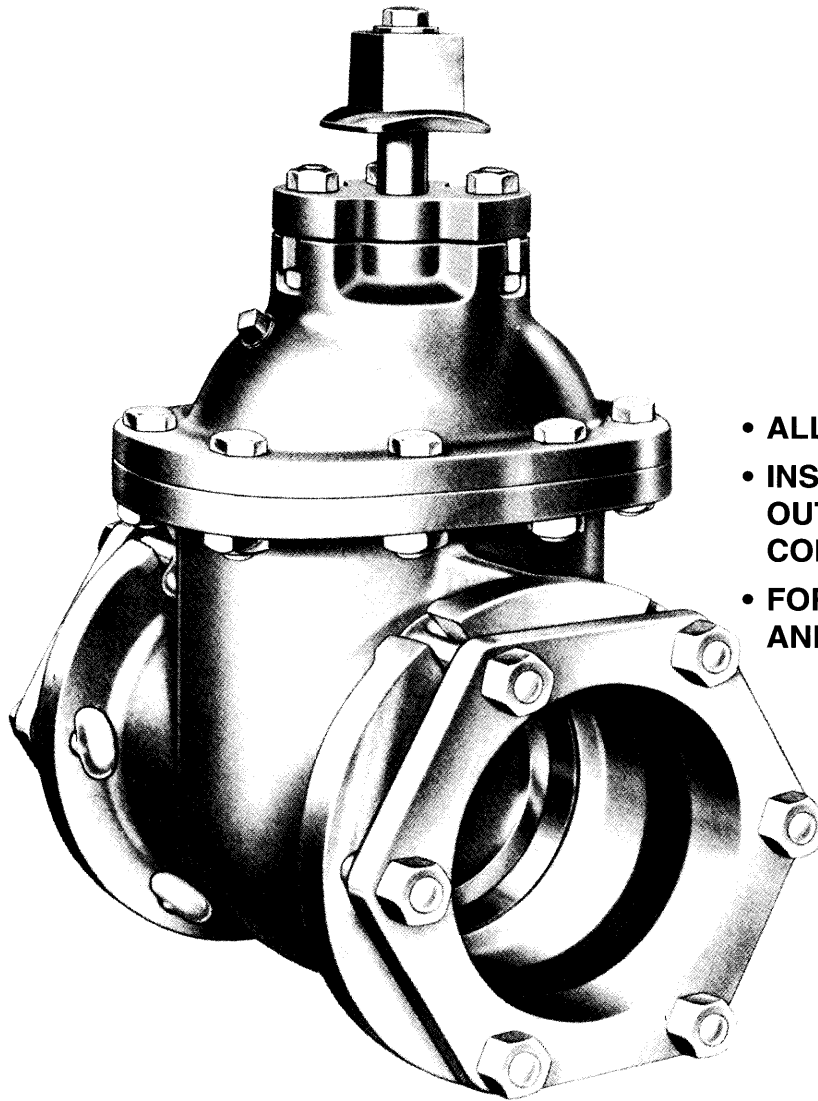


CLOW AWWA GATE VALVES

**FOR UNDERGROUND
AND PLANT PIPING
SYSTEMS
2" THRU 48"**

CLOW



- ALL JOINT ENDS
- INSIDE AND OUTSIDE SCREW CONSTRUCTION
- FOR CAST IRON AND PLASTIC

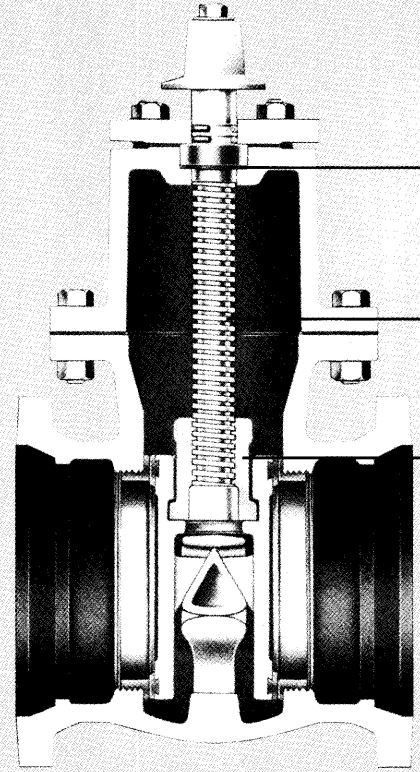
CLOW VALVE CO. / DIV. OF McWANE INC. / OSKALOOSA, IOWA 52577

CLOW AWWA GATE VALVE PARTS...RU

FOR UNDERGROUND INSTALLATION AND PLANT PIPING SYSTEMS

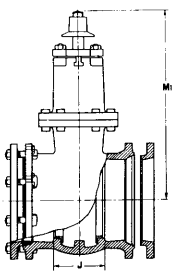
CLOW AWWA gate valves offer rugged construction, easy operation, long service life and economical maintenance. They are double disc, parallel seat valves meeting or exceeding all requirements AWWA Specifications C500, and conform to Federal Specifications WW-V-58b, Type II, Class I.

Component parts are constructed of heavy, rugged proportions for extra strength to withstand pipe strain and possible shifting in underground service. Clean simple internal construction, illustrated at right, assures long service and easy maintenance. All joint ends, in sizes shown below, and all commonly used accessories and operating devices can be furnished.

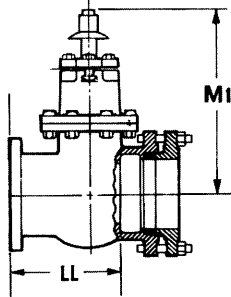


PRESSURE RATINGS

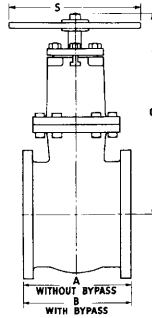
Valve Size Inches	Working Pressure psi	Hydrostatic Test Pressure psi
	Non-Shock Cold Water	
2 thru 12	200	400
14 thru 48	150	300



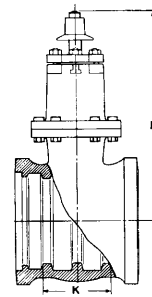
F-5065
Mechanical Joint



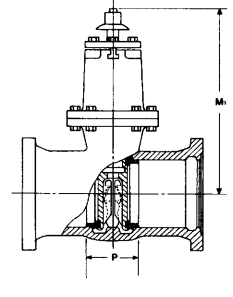
F-5066
Flanged and
Mechanical Joint Ends



F-5070
Flanged Ends



F-5080
Push-On Ends
For Cast Iron Pipe



F-5085
Push-On Ends
For PVC Pipe

DIMENSIONS — Inches Flanges are faced and drilled to ANSI 125 pound template, unless otherwise instructed.

Valve Size Inches	Turns to Open	Dia. of Stem	A	B	C	D	G	H	J	K	M ₁	N	P
2	5	7/8	7	...	3 1/4	...	10 1/4	3 1/8	3 1/4	...	10 1/4	5 1/4	...
2 1/4	5	7/8	3 1/4	...	10 1/4	...	3 1/4	...	10 1/4
2 1/2	6	7/8	7 1/2	11 3/8	11 3/8	5 3/4	...
3	7	7/8	8	...	3 3/8	...	12 1/4	4 5/8	3 1/2	...	12 1/4	6	...
4	15	1 1/8	9	...	4 3/4	...	14	5 3/4	4 3/4	5 1/4	14	9	4 1/2
...
6	21	1 1/4	10 1/2	...	5 1/2	...	18	7 7/8	5 1/4	6 1/2	18	...	5 1/4
8	27	1 3/8	11 1/2	...	6 1/2	...	22	10	6 1/2	7	22	...	6 1/4
10	33	1 1/2	13	...	6 3/4	...	25 5/8	12 1/8	6 3/4	7 1/4	25 5/8
12	39	1 1/2	14	...	6 3/4	...	29 1/8	14 1/4	7	7 3/4	29 1/8
14	45	1 7/8	15 3/4	23	7 3/4	13 3/4	36 1/2	16 3/8	7 1/4	...	39 3/4
16	52	1 7/8	17	23	9 1/8	13 3/4	40 3/4	18 3/4	9 1/4	...	43 1/2
18	58	2 1/8	19	24	9 1/4	14	43 1/4	20 3/4	9 1/4	...	46
20	64	2 1/8	20	24	10 1/4	14 1/2	47 1/4	23	10	...	50
24	76	2 1/2	23	28 1/2	10	16	55	27 3/8	16	...	56 3/4
30	63	2 3/4	25	32 1/2	12 1/2	20 1/4	64 3/4	33 3/4	12 1/2	...	66 1/2
36	75	3	27	36	23 3/4	23 3/4	75 3/8	40 1/8	23 3/4	...	77 3/8
42	88	3 1/2	34	34	20 3/4	20 3/4	...	46 1/2
48	100	4	45 1/2	45 1/2

Turns to open are for valves without gearing.

GGED...LOW TORQUE...LONG LIFE CLOW

LOW TORQUE THRUST BEARING

4" thru 12" sizes...provides high load capacity and low friction which reduces operating torque up to 50%. Seals perfectly for repacking under pressure.



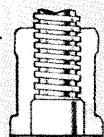
SMOOTH OPERATION

Precise, high strength manganese bronze stem, with extra heavy thrust collar, provides smooth opening and closing of the gates. Stem torque meets Underwriters specifications.



SIMPLE, RUGGED CONSTRUCTION

Stem nut is solid bronze, and independent of hooks, wedges and gates. It is free-floating and self-aligning. For longer wear, the threaded section of stem nut is at least 1 1/2 times the diameter of the stem.

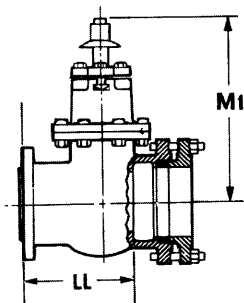


Valve Operation is Easy and Dependable... with Two Point, Free-Floating Wedging

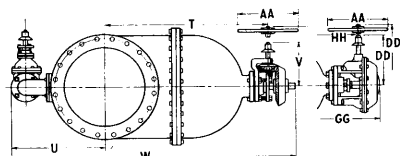
The valve operates with only two points of bearing ...only two points of friction...with a simple, self-centering, floating, V-type, bronze gate spreading mechanism...for positive action in opening and closing. Separate hooks and bronze wedges permit mechanical adjustment to varying positions.

In opening, turning the stem releases the wedging pressure on the gates, allowing them to move away from their seats before starting upward travel. Further turning of the stem raises the gates into the cover, permitting full opening flow through the valve.

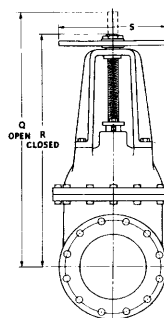
In closing, the gates move freely downward to a position opposite their seats. At this point the hooks come in contact with stops which prevent further downward movement of the hooks. The bronze wedge riding on the hooks then spreads the gates apart and forces them to their seats to make a watertight seal, and shut off the flow through the valve.



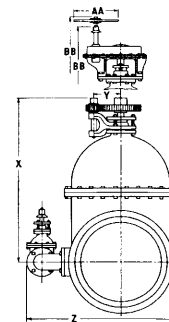
F-5093
Mechanical Joint
Tapping Valve



F-5070
Flanged Ends, NRS
Bevel gearing, by-pass



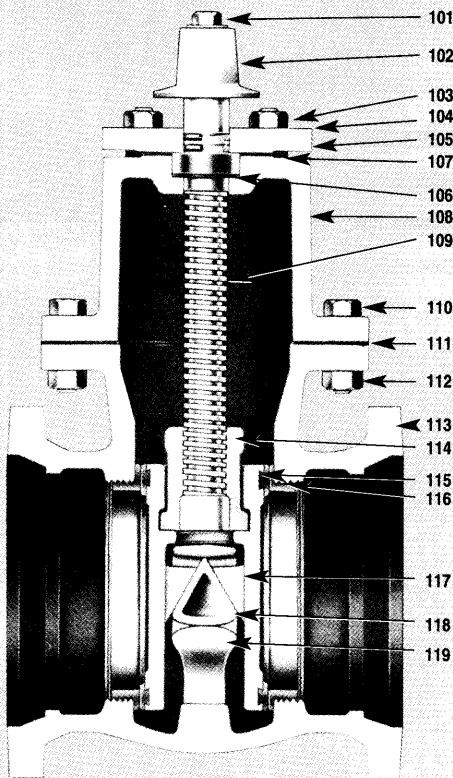
F-5072
Flanged Ends
Outside Screw & Yoke



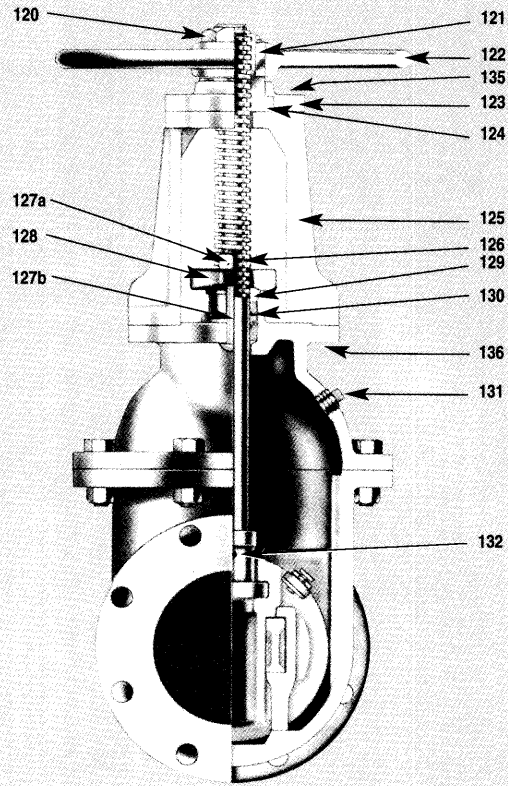
F-5062
Flanged Ends, NRS
Spur gearing, by-pass

Q	R	S	T	U	V	W	X	Y	Z	AA	BB	DD	GG	HH	LL
...	...	7 1/4	5 1/8
...	...	7 1/4
...	...	7 1/4
...	...	7 1/4	5 3/4
...	...	10	6 7/8
...
...	...	12	8
...	...	14	9
...	...	18	9 7/8
...	...	18	27 7/8	...	13	...	36 5/8	8	...	18	40 3/4	12	38 1/2	31 5/8	10 1/2
68	53	22	33	19 1/4	13	57 1/2	41	8	31 1/8	18	45	12	42 3/4	35 7/8	11 1/2
75 3/4	58 3/4	22	36 7/8	20 1/2	13	62 7/8	45	8	33 3/8	18	49	12	46 3/8	39 3/4	15 3/8
82 1/2	63 1/2	26	39 7/8	22 1/2	13	67 3/4	48	8	36 3/8	18	52 1/8	12	50	42 7/8	16 1/2
90 1/4	69 1/4	26	43 3/4	24	13	73	51 3/4	8	40 1/2	18	55 3/4	12	53 5/8	46 1/2	18 3/8
107	82	30	50 1/2	28	13	83 1/2	58 3/8	8	46	18	62 1/8	12	60	52 7/8	22
128 1/4	97	30	62 1/4	31 1/2	17 1/2	100 1/4	71 1/4	10	54 1/2	18	76 3/4	15 1/2	72 7/8	66	...
147 1/2	110	36	70 1/2	40	23 3/4	120	87	13 3/8	68 7/8	22	88 7/8	21 1/2	81 7/8	72 7/8	...
...	...	30	92	47	17 1/8	145 1/8	102 3/4	10	77 1/2	30	106 3/8	27	105 1/2	97	...
...	...	30	105 7/8	54 1/2	18 7/16	166	116 5/8	11 1/4	87 1/2	30	120 5/8	27	119	108	...

CLOW AWWA GATE VALVE PARTS



Section of Mechanical Joint
NRS Valve with O-Ring Packing



Cutaway of Flanged Valve
with Outside Screw and Yoke

Part	No.	Material	Part	No.	Material	Part	No.	Material
101	1	Steel	113	1	Cast Iron	127a	2	Bronze
102	1	Cast Iron	114	1	Bronze	127b	2	Steel—
103			115	2	Bronze	128	1	Cast Iron
		Steel	116	2	Bronze	129	1	Bronze
104	2	Rubber	117	2	Cast Iron	130		Braided Asbestos
105	1	Cast Iron	118	2	Bronze	131	1	Teflon-coated
106			119	2	Cast Iron			Steel
	1		120			132	1	Bronze
107				1	Bronze	135		Steel—
	1		121	1	Steel			Rust-proofed
108	1	Cast Iron	122	1	Cast Iron	136		Steel—
109			123					Rust-proofed
	1	Bronze						Steel—
110		Steel—						Rust-proofed
		Rust-proofed	124					
111								
	1	Composition	125	1	Cast Iron			
112			126	1	Stainless Steel			
		Steel						

CLOW

Clow Valve Co.
Div. of McWane Inc.
902 So. 2nd St.
Oskaloosa, Iowa 52577

Phone: 641-673-8611
FAX: 641-673-8269