

CONCORD D-73 DAIG-O-PER UNDER PRESSURE DRILLING MACHINE

Designed for installing water services with
D-46 saddle or conventional corporation stops and separate saddles.

Machine No. D73-1

Capacity: 3/4" and 1"

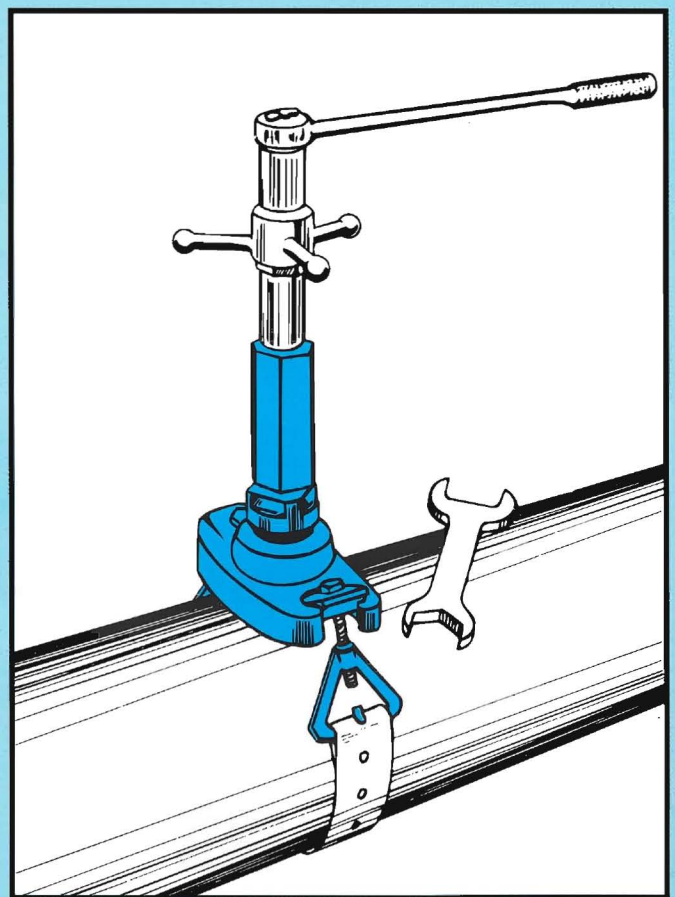
Machine No. D73-2

Capacity: 1 1/4" - 1 1/2" - 2"

Working pressure 200 p.s.i.

*First choice of the "man-in-the-trench"
because the "D-73" is:*

- **CONVENIENT...** For all watermains
- **SIMPLE...** Few components
- **EASY TO OPERATE...** With thrust bearing
- **VERSATILE...** For most popular types of connections
- **STRONG...** Manganese bronze barrel, handle, adapters
- **ECONOMICAL...** Less expensive, less maintenance cost
- **LIGHT WEIGHT...** Machine only 9 lbs. approx.



CONCORD D-73 DAIG-O-PER

PARTS

REF. NO.	PART NUMBER		DESCRIPTION
	D73-1	D73-2	
1	7301	7320	BARREL
2	7302	7302	FEED TUBE
3	7303	7303	THRUST BEARING AND PLATES
4	7304	7304	FEED TUBE HANDLE
5	7305	7305	STEM DRIVE NUT
6	7306	7321	STEM
7	7307	7322	"O" RING (2) (INSIDE BARREL)
8	7308	7323	ALLEN SCREW
9	7309	7309	"O" RING (OUTSIDE BARREL)

EQUIPMENT SUPPLIED WITH EACH MACHINE

REF. NO.	PART NUMBER		DESCRIPTION
	D73-1	D73-2	
10	7310	7324	ALLEN KEY
11	7311	7311	WRENCH (OPEN ENDS)
12	7312	7312	RATCHET
13	7313	7313	SOCKET 1" HEX. 1/2" DR.
14	7314	7314	STEEL CASE

OPTIONAL EQUIPMENT (To be selected)

Blades

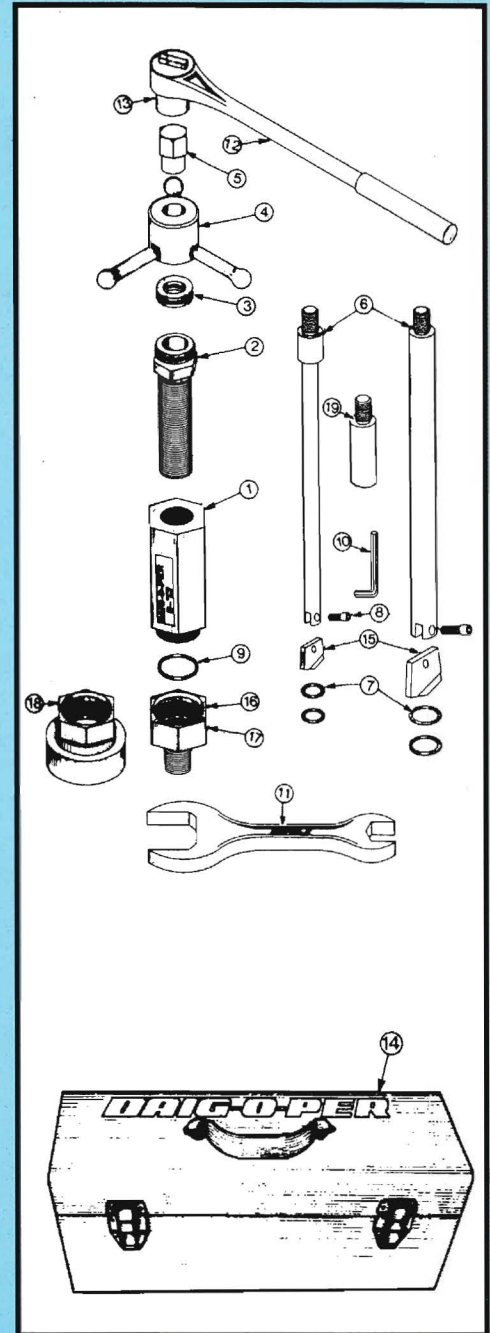
REF. NO.	PART NUMBER					DESCRIPTION
	3/4"	1"	1 1/4"	1 1/2"	2"	
15	7331	7332	7333	7334	7335	BLADE

OPTION No.1 - When using D-41 Saddle-stop

REF. NO.	PART NUMBER					DESCRIPTION
	3/4"	1"	1 1/4"	1 1/2"	2"	
16	7351	7352	7353	7354	7355	ADAPTER I.P.T. MALE
17	7361	7362	N/A	N/A	N/A	ADAPTER W.W.T. MALE

OPTION No.2 - When using saddle and corporation stop

REF. NO.	PART NUMBER					DESCRIPTION
	3/4"	1"	1 1/4"	1 1/2"	2"	
18	7371	7372	7373	7374	7375	ADAPTER, FEMALE FOR COPPER FLARED JOINT
19	7386					STEM EXTENSION 2 1/4"
			7387			STEM EXTENSION 2 3/4"
				7388		STEM EXTENSION 4 1/2"



NOW AVAILABLE FOR PVC PIPES

CLOW
CLOW CANADA

HEAD OFFICE
1757 Burlington Street East
P.O. Box 2849
Hamilton, Ont. L8H 3L5
Tel: (905) 548-9605
Fax: (905) 548-6885

WESTERN CANADA
P.O. Box 1000
801 Smelter Ave. S.E.
Medicine Hat, AB T1A 7H1
Tel: (403) 527-3553
Fax: (403) 527-7454

EASTERN CANADA
P.O. Box 700
Saint John, NB E2L 4B3
Tel: (506) 633-2541
Fax: (506) 634-8936