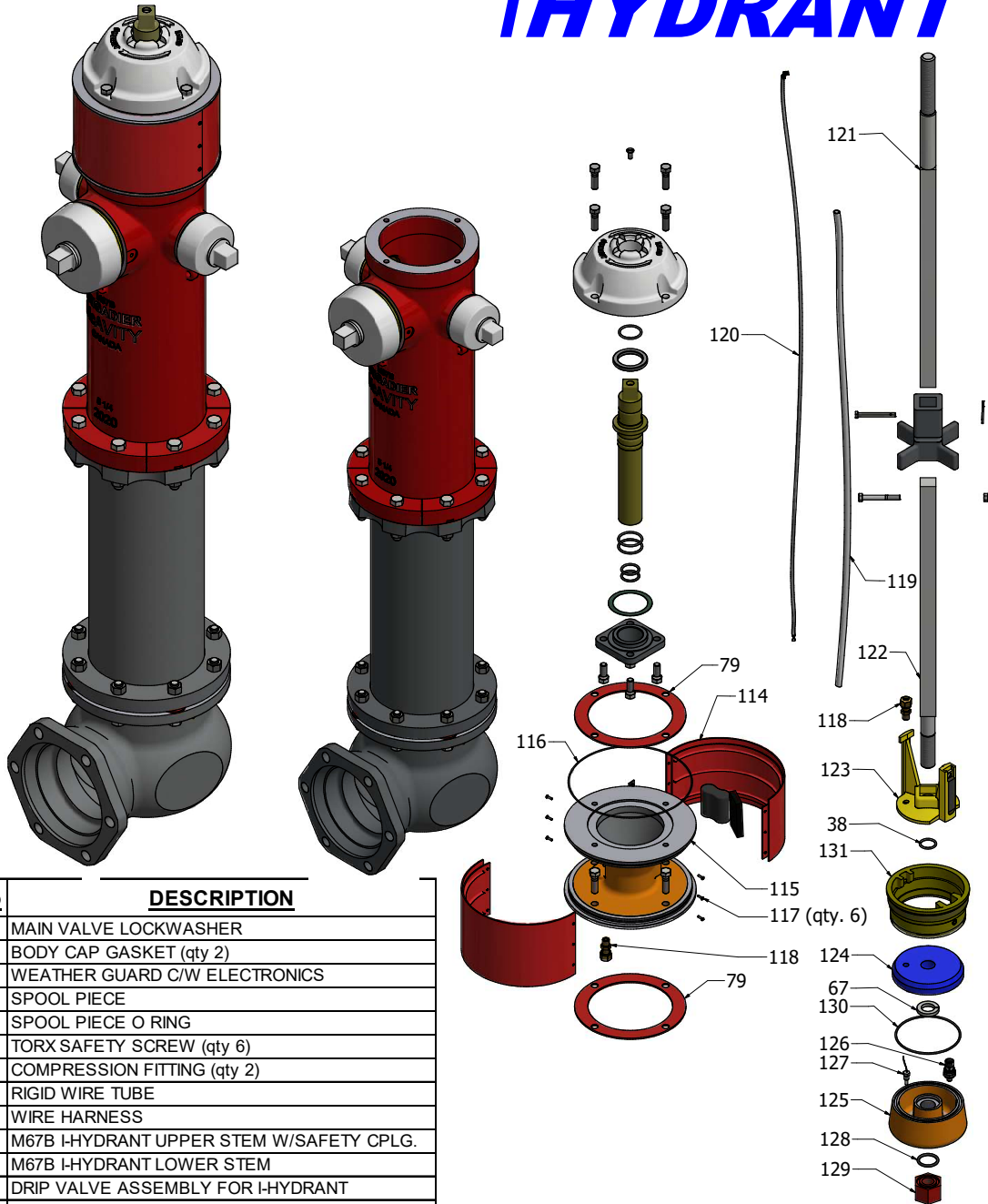


M67B BRIGADIER CONVERSION TO *iHYDRANT*



Ref No	DESCRIPTION
67	MAIN VALVE LOCKWASHER
79	BODY CAP GASKET (qty 2)
114	WEATHER GUARD C/W ELECTRONICS
115	SPOOL PIECE
116	SPOOL PIECE O RING
117	TORX SAFETY SCREW (qty 6)
118	COMPRESSION FITTING (qty 2)
119	RIGID WIRE TUBE
120	WIRE HARNESS
121	M67B I-HYDRANT UPPER STEM W/SAFETY CPLG.
122	M67B I-HYDRANT LOWER STEM
123	DRIP VALVE ASSEMBLY FOR I-HYDRANT
124	M67B MAIN VALVE DISC - I-HYDRANT
125	M67B LOWER VALVE PLATE - I-HYDRANT
126	PRESSURE SENSOR
127	TEMPERATURE SENSOR
128	LOWER VALVE PLATE LOCKNUT O RING
129	LOWER VALVE PLATE LOCKNUT
130	M67B L.V. PLATE O RING- I-HYDRANT
131	M67B M.V. SEAT W/ O RINGS

