



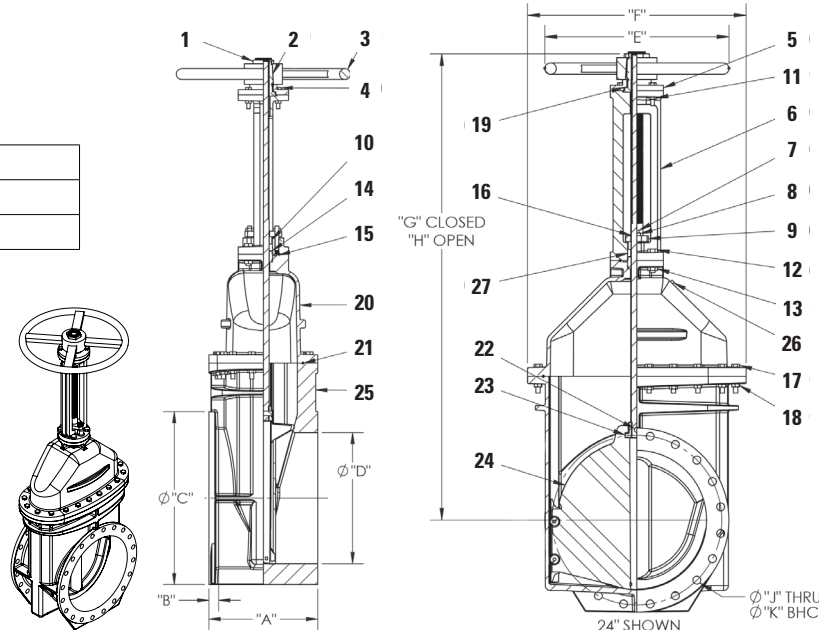
KENNEDY VALVE

# C515 OS&Y / FIG. 7068A RESILIENT SEATED GATE VALVE FLANGED ENDS SIZES 2" - 16"

DRAWING NO.- 33094 REV.- 1

DRAWN BY - ZMF

No.	DATE	ECN	REVISION
1	11/9/20	---	Published



DIMENSIONS												
SIZE	A	B	C	D	E	F	G	H	J	K	No. Turns to Open	Weight (lbs.)
2	7"	5/8"	6"	2"	6"	6"	13-3/32"	15-7/8"	5/8" x 4	4-3/4"	6-1/2	42.10
2-1/2	7-1/2"	11/16"	7"	2-1/2"	6"	7"	13-7/8"	16-3/8"	5/8" x 4	5-1/2"	8	52.00
3	8"	3/4"	7-1/2"	3"	10"	7-1/2"	15-5/8"	18-7/8"	5/8" x 4	6"	10	67.14
4	9"	15/16"	9"	4-1/4"	10"	9"	18-1/4"	22-3/4"	5/8" x 4	7-1/2"	13-1/2	91.85
6	10-1/2"	1"	11"	6-1/4"	12"	11-3/8"	23-3/4"	30-1/8"	3/4" x 8	9-1/2"	19-1/2	140.67
8	11-1/2"	1-1/8"	13-1/2"	8-1/4"	14"	13-1/2"	29-1/4"	37-3/4"	3/4" x 8	11-3/4"	25-1/2	212.60
10	13"	1-3/16"	16"	10-1/4"	18"	16"	35-3/8"	45-3/4"	7/8" x 12	14-1/4"	31-1/2	368.48
12	14"	1-1/4"	19"	12-1/4"	18"	19"	40-5/8"	53-1/8"	7/8" x 12	17"	37-3/4	479.41
14	15"	1-3/8"	21-1/16"	14-1/4"	22"	26-11/16"	59-3/4"	74-3/4"	1" x 12	18-3/4"	52	670.00
16	16"	1-7/16"	23-1/2"	16-1/4"	22"	26-11/16"	59-3/4"	74-3/4"	1" x 16	21-1/4"	52	735.00

PARTS LIST		
SIZE	DESCRIPTION	MATERIAL
1	Hold Down Nut	Bronze ASTM B584 C87850 / C57610 (2"-12")
		Bronze ASTM B584 C83600 (14"-16")
		Bronze ASTM B584 C86700 (2"-12")
2	Yoke Nut	Bronze ASTM B584 C86700 (2"-12")
		Bronze ASTM B584 C83600 (14"-16")
3	Handwheel	Ductile Iron ASTM A536 70-50-05 (2"-12")
		Gray Iron ASTM A126 Class B (14"-16")
4	Hex Cap Screw	ZN A307 Grade B / ASTM F593 S30400 / S31600
5	Adapter (14"-16")	Gray Iron ASTM A126 Class B
6	Yoke	Ductile Iron ASTM A536 70-50-05 (2"-12")
		Gray Iron ASTM A126 Class B (14"-16")
7	Stud (14"-16")	ASTM F593 S30400 / S31600
8	Hex Nut	ZN A307 Grade B / ASTM F593 S30400 / S31600
9	Follower Plate (14"-16")	Gray Iron ASTM A126 Class B
10	Packing Gland	Ductile Iron ASTM A536 70-50-05 (2"-12")
		Bronze ASTM B584 C83600 (14"-16")
11	Hex Nut	ZN A307 Grade B / ASTM F593 S30400 / S31600
12	Hex Cap Screw	GR 2 ZN SAE J429 / 304SS ASTM 18-8SS
13	Hex Nut	ZN A307 Grade B / ASTM F593 S30400 / S31600
14	Bushing (14-16")	ZN A307 Grade B / ASTM F593 S30400 / S31600
15	Yoke O-Ring	Buna-N ASTM D2000 (2"-12")
		EPDM (14"-16")
16	Stem	304SS ASTM A276 S30400 / 316SS ASTM A276 S31600 / ECO Brass ASTM B371 C69300 / Silicon Bronze "A" (Everdur) ASTM B98 C65500 (2"-12")
		304SS ASTM A276 S30400 / 316SS ASTM A276 S31600 / Silicon Bronze "A" (Everdur) ASTM B98 C65500 (14"-16")
		304SS ASTM A276 S30400 / 316SS ASTM A276 S31600 / Silicon Bronze "A" (Everdur) ASTM B98 C65500 (14"-16")
17	Hex Cap Screw	ZN A307 Grade B / ASTM F593 S30400 / S31600
18	Hex Nut	ZN A307 Grade B / ASTM F593 S30400 / S31600
19	Flat Washer	ZN A307 Grade B / ASTM F593 S30400 / S31600
20	Cover	Ductile Iron ASTM A536 70-50-05 (2"-12")
		Ductile Iron ASTM A536 65-45-12 (14"-16")
21	Cover O-Ring	Buna-N ASTM D2000 (2"-12")
		EPDM (14"-16")
22	Stem O-Ring	Buna-N ASTM D2000 (2"-12")
		EPDM (14"-16")
23	Stem Nut	Bronze ASTM B584 CDA 844 (2"-12")
		Bronze ASTM B584 C87610 / Bronze ASTM B584 C87850 / Bronze ASTM B763 C99500 (NDZ) (14"-16")
24	Wedge	Ductile Iron ASTM A584 70-50-05 & EPDM (2"-12")
		Ductile Iron ASTM A536 65-45-12 & EPDM (14"-16")
25	Body-Flanged Type	Ductile Iron ASTM A584 70-50-05 (2"-12")
		Ductile Iron ASTM A536 65-45-12 (14"-16")
26	Pipe Plug (14"-16")	18-8SS
27	Packing	Braided, Lubricated (Non-Asbestos)



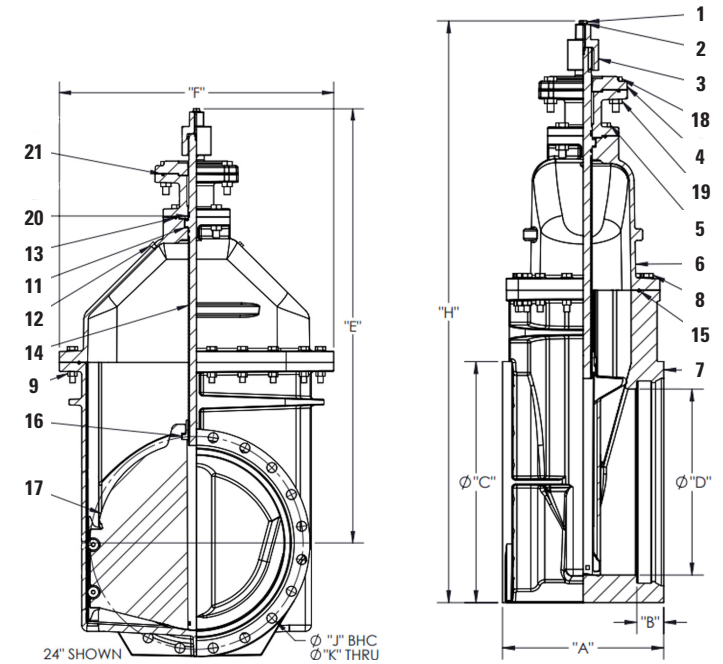
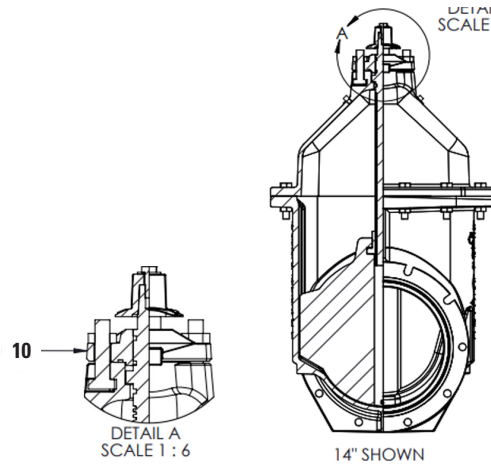
KENNEDY VALVE

# C515 NON-RISING / FIG. 7571SS RESILIENT SEATED GATE VALVE MECHANICAL JOINT SIZES 2" - 16"

DRAWING NO.- 33096 REV - 1

DRAWN BY - ZMF

No.	DATE	ECN	REVISION
1	11/12/20	ER003643	Published



PARTS LIST		
SIZE	A	B
1	Bolt	GR 2 ZN SAE J429
2	Washer	GR 2 ZN SAE J429
3	OP Nut	Grey Iron ASTM A126 Class B
5	Hex Head Bolt	GR 2 ZN SAE J429 / ASTM F593 S30400/S31600
6	Cover	Ductile Iron ASTM A536 70-50-05
7	Body	Ductile Iron ASTM A536 70-50-05
8	Hex Head Bolt	GR 2 ZN SAE J429 / ASTM F593 S30400/S31600
9	Hex Nut	GR 2 ZN SAE J429 / ASTM F593 S30400/S31600
10	Stuffing Box (2"-16")	Ductile Iron ASTM A536 70-50-05
11	Thrust Washer	Delrin
12	Pipe Plug (14"-16")	18-8SS
13	O-Ring	EPDM
14	Stem	Manganese Bronze ASTM B584 C86700 / 304SS ASTM A276 S30400 / 316SS ASTM A276 S31600 / NDZ B763 C99500 (2"-12")
		Manganese Bronze ASTM B584 C86200 / 304SS ASTM A276 S30400 / 316SS ASTM A276 S31600 / NDZ B763 C99500 (14"-16")
15	O-Ring	EPDM
16	Stem Nut	Manganese Bronze ASTM B584 C86700 (2"-12") Copper Alloy ASTM B584 C87850 (14"-16")
17	Wedge	Ductile Iron ASTM A536 70-50-05 / EPDM Rubber
18	Ind. Post Plate Hex Bolts	ASTM F593 S30400
19	Ind. Post Plate Hex Nuts	ASTM F594 S30400
20	Stem O-Ring	EPDM
21	Ind. Post Plate O-Ring	EPDM

DIMENSIONS												
SIZE	A	B	C	D	E	F	H	J	K	No. Turns to Open	Weight (lbs.)	
2	8-1/4"	2-1/2"	4-1/2"	2"	10-7/8"	6"	14-7/16"	4-3/4"	5/8" x 2	6-1/2	37.14	
3	8-1/2"	2-1/2"	7-3/4"	3"	12-3/8"	7-1/2"	17"	6-1/8"	5/8" x 4	10	58.00	
4	9-1/2"	2-1/2"	9-1/8"	4-1/4"	14-3/4"	9"	19-3/4"	7-1/2"	3/4" x 4	13	69.50	
6	10-1/2"	2-1/2"	11-1/8"	6-1/4"	19"	11-3/8"	24-5/16"	9-5/8"	3/4" x 6	19	110.00	
8	13-1/8"	2-1/2"	13-1/8"	8-1/4"	22-1/2"	13-1/2"	29-11/16"	11-3/4"	3/4" x 6	25	164.00	
10	15-1/2"	2-1/2"	15-1/2"	10-1/4"	26-1/2"	16"	34-1/2"	14"	3/4" x 8	31	287.00	
12	16"	2-5/8"	18"	12-1/4"	30"	19"	39"	16"	3/4" x 8	37	362.00	
14	17"	3-1/2"	20-1/4"	14-1/4"	38-3/4"	26-11/16"	48-1/2"	18-3/4"	3/4" x 10	52	650.00	
16	17"	3-1/2"	22-1/2"	16-1/4"	37-3/4"	26-11/16"	48-5/8"	21"	3/4" x 12	52	720.00	



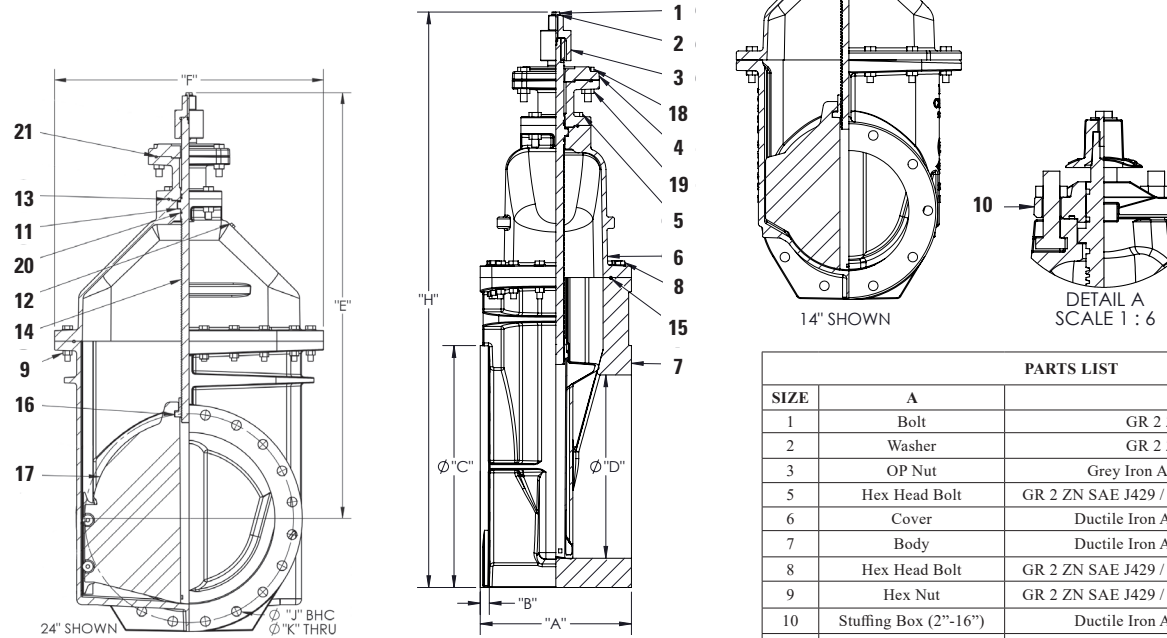
KENNEDY VALVE

# C515 NON-RISING / FIG. 7561SS RESILIENT SEATED GATE VALVE FLANGED ENDS SIZES 2" - 16"

DRAWING NO.- 33095 REV - 1

DRAWN BY - ZMF

No.	DATE	ECN	REVISION
1	11/10/20	ER003643	Published



DIMENSIONS											
SIZE	A	B	C	D	E	F	H	J	K	No. Turns to Open	Weight (lbs.)
2	7"	5/8"	6"	2"	11-7/16"	6"	14-7/16"	4-3/4"	5/8" x 4	6-1/2	40.85
2-1/2	7-1/2"	11/16"	7"	2-1/2"	12-1/16"	7"	15-9/16"	5-1/2"	5/8" x 4	8	50.53
3	8"	3/4"	7-1/2"	3"	12-3/8"	7-1/2"	16-15/16"	6"	5/8" x 4	10	79.29
4	9"	15/16"	9"	4-1/4"	14-3/4"	9"	20-1/4"	7-1/2"	5/8" x 4	13	101.75
6	10-1/2"	1"	11"	6-1/4"	19"	11-3/8"	24-1/8"	9-1/2"	3/4" x 8	19	139.04
8	11-1/2"	1-1/8"	13-1/2"	8-1/4"	22-1/2"	13-1/2"	29-1/2"	11-3/4"	3/4" x 8	25	208.05
10	13"	1-3/16"	16"	10-1/4"	26-1/2"	16"	34-1/2"	14-1/4"	7/8" x 12	31	339.52
12	14"	1-1/4"	19"	12-1/4"	30"	19"	39-1/2"	17"	7/8" x 12	37	406.78
14	15"	1-3/8"	21-1/16"	14-1/4"	38-5/16"	26-11/16"	49"	18-3/4"	1" x 12	52	675.00
16	16"	1-7/16"	23-1/2"	16-1/4"	37-5/16"	26-11/16"	49-1/8"	21-1/4"	1" x 16	52	720.00

PARTS LIST		
SIZE	A	B
1	Bolt	GR 2 ZN SAE J429
2	Washer	GR 2 ZN SAE J429
3	OP Nut	Grey Iron ASTM A126 Class B
5	Hex Head Bolt	GR 2 ZN SAE J429 / ASTM F593 S30400/S31600
6	Cover	Ductile Iron ASTM A536 70-50-05
7	Body	Ductile Iron ASTM A536 70-50-05
8	Hex Head Bolt	GR 2 ZN SAE J429 / ASTM F593 S30400/S31600
9	Hex Nut	GR 2 ZN SAE J429 / ASTM F593 S30400/S31600
10	Stuffing Box (2"-16")	Ductile Iron ASTM A536 70-50-05
11	Thrust Washer	Delrin
12	Pipe Plug (14"-16")	18-8SS
13	O-Ring	EPDM
14	Stem	Manganese Bronze ASTM B584 C86700 / 304SS ASTM A276 S30400 / 316SS ASTM A276 S31600 / NDZ B763 C99500 (2"-12")
		Manganese Bronze ASTM B584 C86200 / 304SS ASTM A276 S30400 / 316SS ASTM A276 S31600 / NDZ B763 C99500 (14"-16")
15	O-Ring	EPDM
16	Stem Nut	Manganese Bronze ASTM B584 C86700 (2"-12")
		Copper Alloy ASTM B584 C87850 (14"-16")
17	Wedge	Ductile Iron ASTM A536 70-50-05 / EPDM Rubber
18	Ind. Post Plate Hex Bolts	ASTM F593 S30400
19	Ind. Post Plate Hex Nuts	ASTM F594 S30400
20	Stem O-Ring	EPDM
21	Ind. Post Plate O-Ring	EPDM



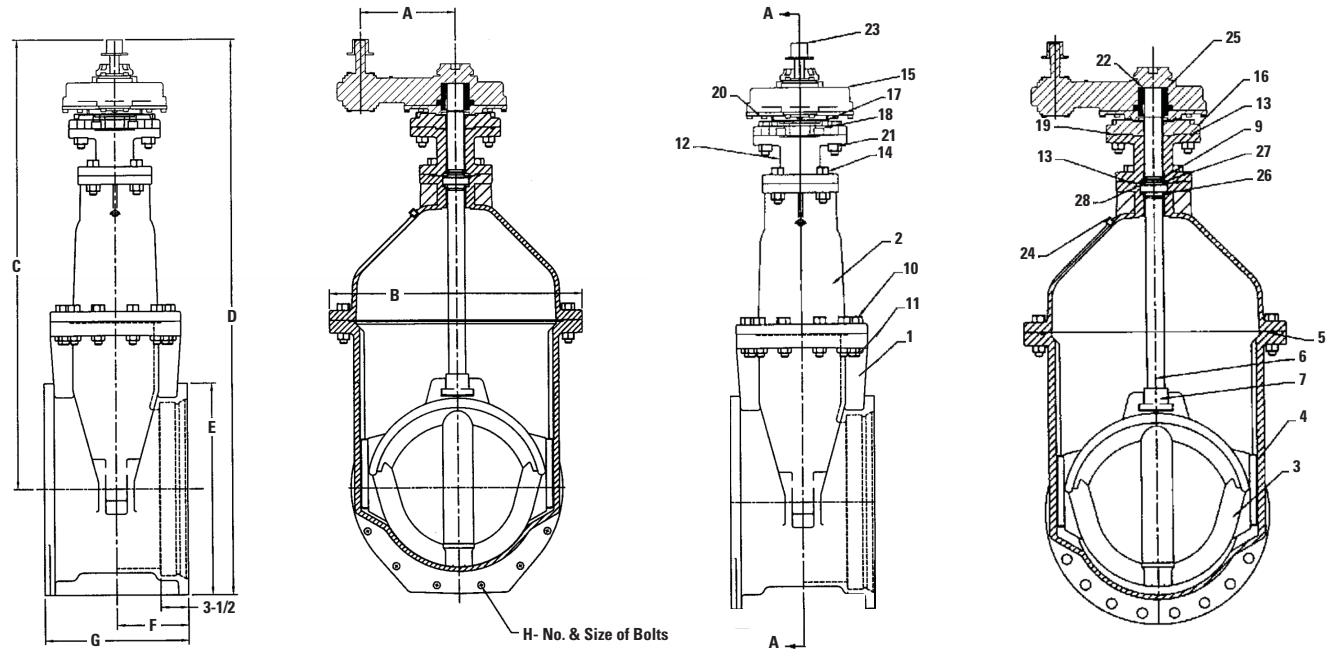
KENNEDY VALVE

# C515 NON-RISING / FIG. 7571AMSS RESILIENT SEATED GATE VALVE MECHANICAL JOINT WITH SPUR GEARING SIZES 14" - 24"

DRAWING NO.- CAT920010A-01 REV - 1

DIMENSIONS								
SIZE	A	B	C	D	E	F	G	H
14	8	26-11/16	52-1/8	62-1/2	20-1/4	8-1/2	17	3/4" x 10
16	8	26-11/16	51-1/8	62-1/2	22-1/2	8-1/2	17	3/4" x 12
18	12	32-1/4	58	70-1/2	24-3/4	9	18	7/8" x 12
20	12	32-1/4	57	70-1/2	27	9	18	7/8" x 14
24	12	38	62-5/8	78-1/4	31-1/4	10-1/2	21	3/4" x 16

30" & larger sizes require gearing.  
24" are now furnished with rollers, tracks, and scrapers.



PARTS LIST				PARTS LIST				PARTS LIST			
No.	PART	MATERIAL	ASTM DESIGNATION	No.	PART	MATERIAL	ASTM DESIGNATION	No.	PART	MATERIAL	ASTM DESIGNATION
1	Body	Ductile Iron	ASTM A536 GR 65-45-12	11	Hex Nut	Stainless Steel	ASTM F593-304	20	Hex Bolt	Stainless Steel	ASTM F593-304
2	Cover	Ductile Iron	ASTM A536 GR 65-45-12	12	Extension	Ductile Iron	ASTM A536 65-45-12	21	Hex Nut	Stainless Steel	ASTM F593-304
3	Wedge	Ductile Iron / Rubber EPDM	ASTM A536 GR 65-45-12 / EPDM	13	O-ring	Rubber	NBR	22	Key	Steel	
4	Wedge Cap (18"-24")	Delrin	Delrin	14	Hex Head Bolt	Stainless Steel	ASTM F593-304	23	OP Nut	Ductile Iron	ASTM A536 65-45-12
5	O-ring	Rubber	NBR	15	Actuator - 3:1 (18"-24") 2:1 (14"-16")			24	Pipe Plug	Steel	Steel
6	Stem	Bronze	ASTM B584 C86700	16	Adapter Plate	Ductile Iron	ASTM A536 GR 65-45-12	25	Drive Sleeve	Steel	AISI 1023
7	Stem Nut	Bronze	ASTM B584 C86700	17	Actuator Gasket	Rubber	NBR	26	Cover Bushing	Bronze	ASTM B584 C86700
9	O-ring	Rubber	NBR	18	Socket Head Bolt	Alloy Steel	Alloy Steel	27	Extension Bushing	Bronze	ASTM B584 C86700
10	Hex Head Bolt	Stainless Steel	ASTM F593-304	19	O-ring	Rubber	NBR	28	Thrust Bearing (18"-24")	Delrin	Delrin



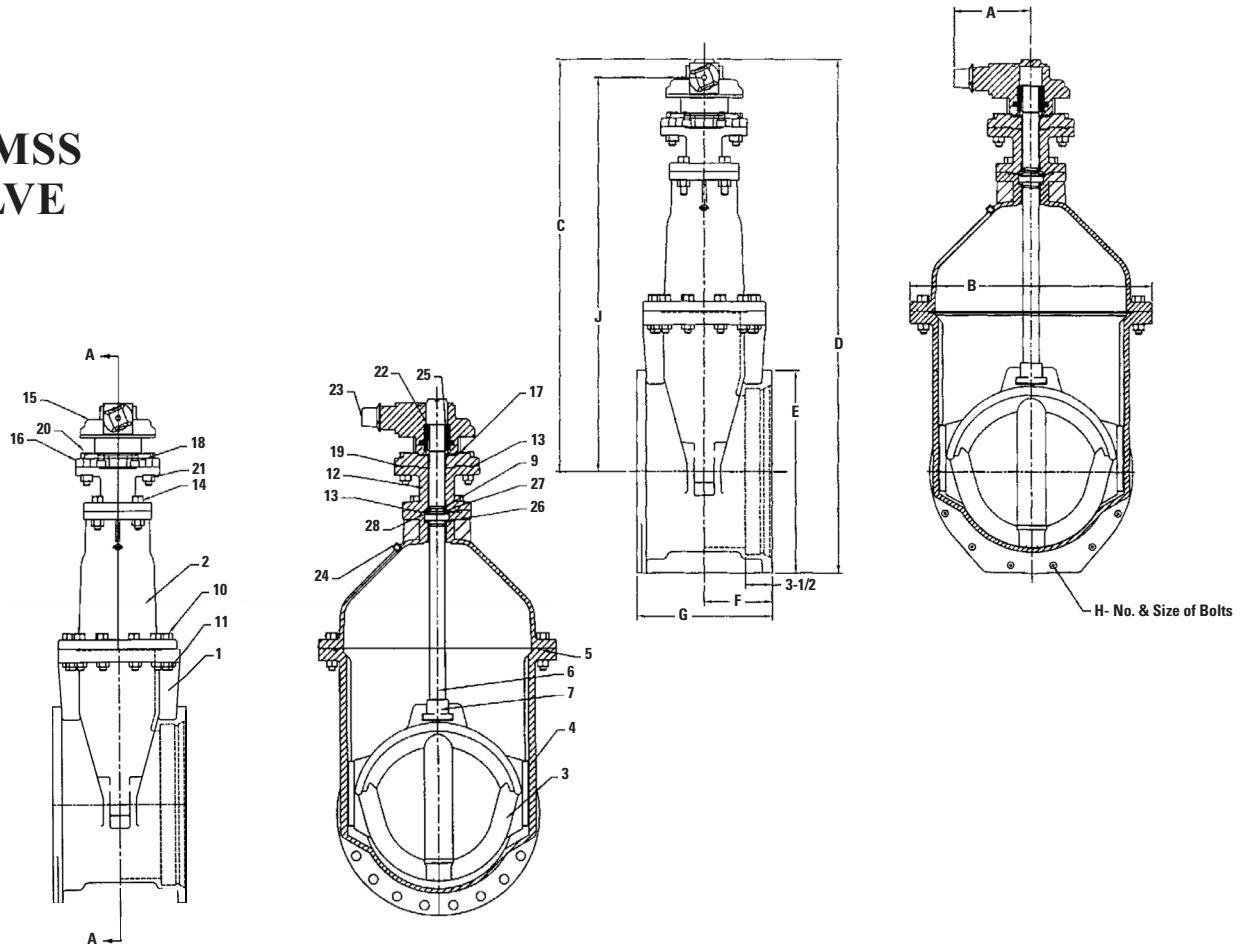
KENNEDY VALVE

# C515 NON-RISING / FIG. 7561BMSS RESILIENT SEATED GATE VALVE MECHANICAL JOINT WITH BEVEL GEARING SIZES 14" - 24"

DRAWING NO.- CAT920008A-01 REV - 1

DIMENSIONS									
SIZE	A	B	C	D	E	F	G	H	J
14	9-1/8	26-11/16	48-5/8	59	20-1/4	8-1/2	17	3/4" x 10	46-5/8
16	9-1/8	26-11/16	47-5/8	59	22-1/2	8-1/2	17	3/4" x 12	45-5/8
18	10-1/8	32-1/4	55-3/4	68-1/4	24-3/4	9-5/32	18	7/8" x 12	53-3/4
20	10-1/8	32-1/4	54-3/4	68-1/4	27	9-5/32	18	7/8" x 14	52-3/4
24	10-1/8	38	59-7/8	75-1/8	31-1/2	9-1/2	19	3/4" x 16	57-3/8

30" & larger sizes require gearing.  
24" are furnished with rollers, tracks, and scrapers.



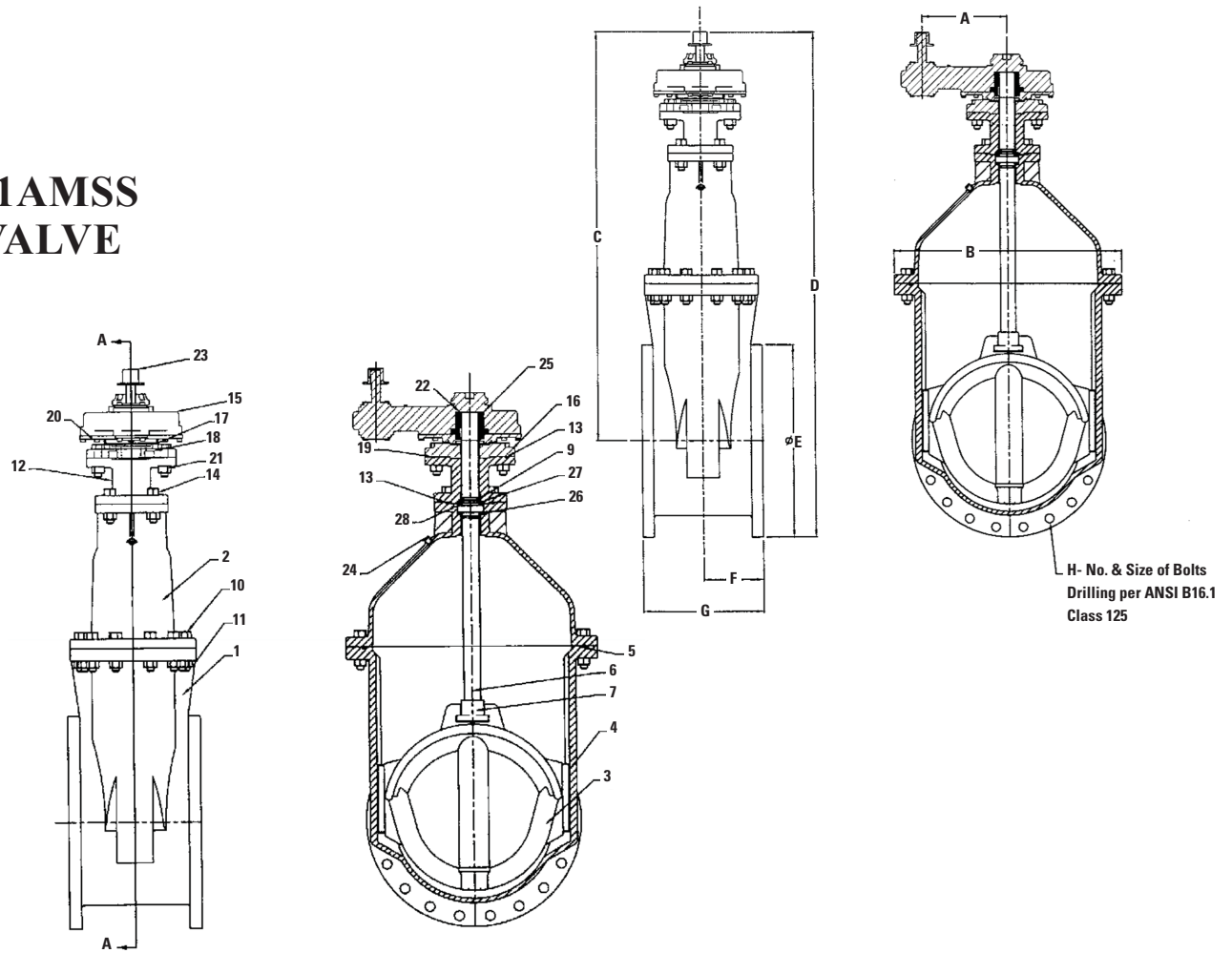
PARTS LIST				PARTS LIST				PARTS LIST			
No.	PART	MATERIAL	ASTM DESIGNATION	No.	PART	MATERIAL	ASTM DESIGNATION	No.	PART	MATERIAL	ASTM DESIGNATION
1	Body	Ductile Iron	ASTM A536 GR 65-45-12	11	Hex Nut	Stainless Steel	ASTM F593-304	20	Hex Bolt	Stainless Steel	ASTM F593-304
2	Cover	Ductile Iron	ASTM A536 GR 65-45-12	12	Extension	Ductile Iron	ASTM A536 65-45-12	21	Hex Nut	Stainless Steel	ASTM F593-304
3	Wedge	Ductile Iron / Rubber EPDM	ASTM A536 GR 65-45-12 / EPDM	13	O-ring	Rubber	NBR	22	Key	Steel	
4	Wedge Cap (18"-24")	Delrin	Delrin	14	Hex Head Bolt	Stainless Steel	ASTM F593-304	23	OP Nut	Ductile Iron	ASTM A536 65-45-12
5	O-ring	Rubber	NBR	15	Actuator - 3:1 (18"-24") 2:1 (14"-16")			24	Pipe Plug	Steel	Steel
6	Stem	Bronze	ASTM B584 C86700	16	Adapter Plate	Ductile Iron	ASTM A536 GR 65-45-12	25	Drive Sleeve	Steel	AISI 1023
7	Stem Nut	Bronze	ASTM B584 C86700	17	Actuator Gasket	Rubber	NBR	26	Cover Bushing	Bronze	ASTM B584 C86700
9	O-ring	Rubber	NBR	18	Socket Head Bolt	Alloy Steel	Alloy Steel	27	Extension Bushing	Bronze	ASTM B584 C86700
10	Hex Head Bolt	Stainless Steel	ASTM F593-304	19	O-ring	Rubber	NBR	28	Thrust Bearing (18"-24")	Delrin	Delrin



KENNEDY VALVE

# C515 NON-RISING / FIG. 7561AMSS RESILIENT SEATED GATE VALVE FLANGED ENDS WITH SPUR GEARING SIZES 14" - 24"

DRAWING NO.- CAT920005A-01 REV - 1



DIMENSIONS								
SIZE	A	B	C	D	E	F	G	H
14	8	26-11/16	52-1/8	63	21	7-1/2	15	1" x 12
16	8	26-11/16	51-1/8	63	23-1/2	8	16	1" x 16
18	12	32-1/4	58	70-1/2	25	8-1/2	17	1-1/8" x 16
20	12	32-1/4	57	70-1/2	27-1/2	9	18	1-1/8" x 20
24	12	38	62-5/8	78-5/8	32	10	20	1-3/8" x 20

30" & larger sizes require gearing.  
24" are now furnished with rollers, tracks, and scrapers.

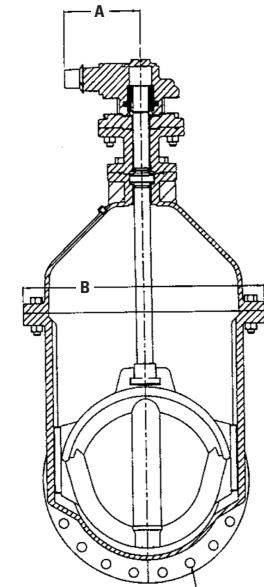
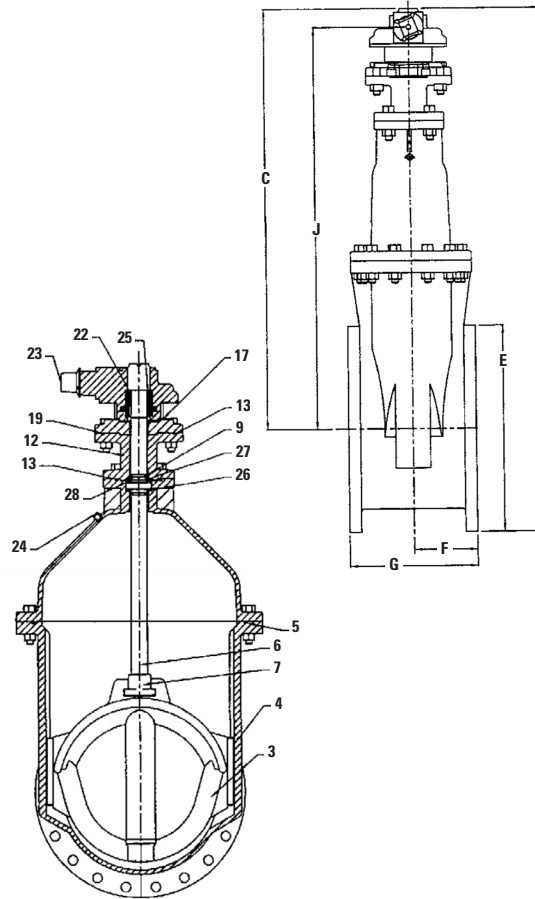
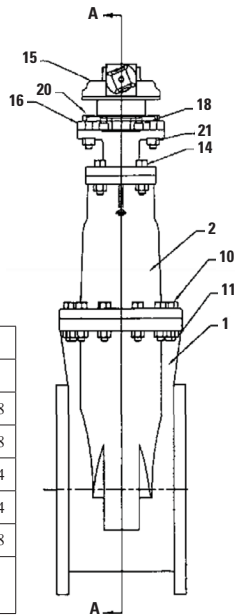
PARTS LIST				PARTS LIST				PARTS LIST			
No.	PART	MATERIAL	ASTM DESIGNATION	No.	PART	MATERIAL	ASTM DESIGNATION	No.	PART	MATERIAL	ASTM DESIGNATION
1	Body	Ductile Iron	ASTM A536 GR 65-45-12	11	Hex Nut	Stainless Steel	ASTM F593-304	20	Hex Bolt	Stainless Steel	ASTM F593-304
2	Cover	Ductile Iron	ASTM A536 GR 65-45-12	12	Extension	Ductile Iron	ASTM A536 65-45-12	21	Hex Nut	Stainless Steel	ASTM F593-304
3	Wedge	Ductile Iron / Rubber EPDM	ASTM A536 GR 65-45-12 / EPDM	13	O-ring	Rubber	NBR	22	Key	Steel	
4	Wedge Cap (18"-24")	Delrin	Delrin	14	Hex Head Bolt	Stainless Steel	ASTM F593-304	23	OP Nut	Ductile Iron	ASTM A536 65-45-12
5	O-ring	Rubber	NBR	15	Actuator - 3:1 (18"-24") 2:1 (14"-16")			24	Pipe Plug	Steel	Steel
6	Stem	Bronze	ASTM B584 C86700	16	Adapter Plate	Ductile Iron	ASTM A536 GR 65-45-12	25	Drive Sleeve	Steel	AISI 1023
7	Stem Nut	Bronze	ASTM B584 C86700	17	Actuator Gasket	Rubber	NBR	26	Cover Bushing	Bronze	ASTM B584 C86700
9	O-ring	Rubber	NBR	18	Socket Head Bolt	Alloy Steel	Alloy Steel	27	Extension Bushing	Bronze	ASTM B584 C86700
10	Hex Head Bolt	Stainless Steel	ASTM F593-304	19	O-ring	Rubber	NBR	28	Thrust Bearing (18"-24")	Delrin	Delrin



KENNEDY VALVE

# C515 NON-RISING / FIG 7561BMSS RESILIENT SEATED GATE VALVE FLANGED ENDS WITH BEVEL GEARING SIZES 14" - 24"

DRAWING NO.- CAT920003A-01 REV - 1



H- No. & Size of Bolts  
Drilling per ANSI B16.1  
Class 125

DIMENSIONS									
SIZE	A	B	C	D	E	F	G	H	J
14	9-1/8	26-11/16	48-5/8	59-1/2	21	7-1/2	15	1" x 12	46-3/8
16	9-1/8	26-11/16	47-5/8	59-1/2	23-1/2	8	16	1" x 16	45-3/8
18	10-1/8	32-1/4	55-3/4	68-1/4	25	8-1/2	17	1-1/8" x 16	55-3/4
20	10-1/8	32-1/4	54-3/4	68-1/4	27-1/2	9	18	1-1/8" x 20	52-3/4
24	10-1/8	38	60-3/8	76-1/4	32	10	20	1-3/8" x 20	57-7/8

30" & larger sizes require gearing.  
24" are furnished with rollers, tracks, and scrapers.

PARTS LIST				PARTS LIST				PARTS LIST			
No.	PART	MATERIAL	ASTM DESIGNATION	No.	PART	MATERIAL	ASTM DESIGNATION	No.	PART	MATERIAL	ASTM DESIGNATION
1	Body	Ductile Iron	ASTM A536 GR 65-45-12	11	Hex Nut	Stainless Steel	ASTM F593-304	20	Hex Bolt	Stainless Steel	ASTM F593-304
2	Cover	Ductile Iron	ASTM A536 GR 65-45-12	12	Extension	Ductile Iron	ASTM A536 65-45-12	21	Hex Nut	Stainless Steel	ASTM F593-304
3	Wedge	Ductile Iron / Rubber EPDM	ASTM A536 GR 65-45-12 / EPDM	13	O-ring	Rubber	NBR	22	Key	Steel	
4	Wedge Cap (18"-24")	Delrin	Delrin	14	Hex Head Bolt	Stainless Steel	ASTM F593-304	23	OP Nut	Ductile Iron	ASTM A536 65-45-12
5	O-ring	Rubber	NBR	15	Actuator - 3:1 (18"-24") 2:1 (14"-16")			24	Pipe Plug	Steel	Steel
6	Stem	Bronze	ASTM B584 C86700	16	Adapter Plate	Ductile Iron	ASTM A536 GR 65-45-12	25	Drive Sleeve	Steel	AISI 1023
7	Stem Nut	Bronze	ASTM B584 C86700	17	Actuator Gasket	Rubber	NBR	26	Cover Bushing	Bronze	ASTM B584 C86700
9	O-ring	Rubber	NBR	18	Socket Head Bolt	Alloy Steel	Alloy Steel	27	Extension Bushing	Bronze	ASTM B584 C86700
10	Hex Head Bolt	Stainless Steel	ASTM F593-304	19	O-ring	Rubber	NBR	28	Thrust Bearing (18"-24")	Delrin	Delrin

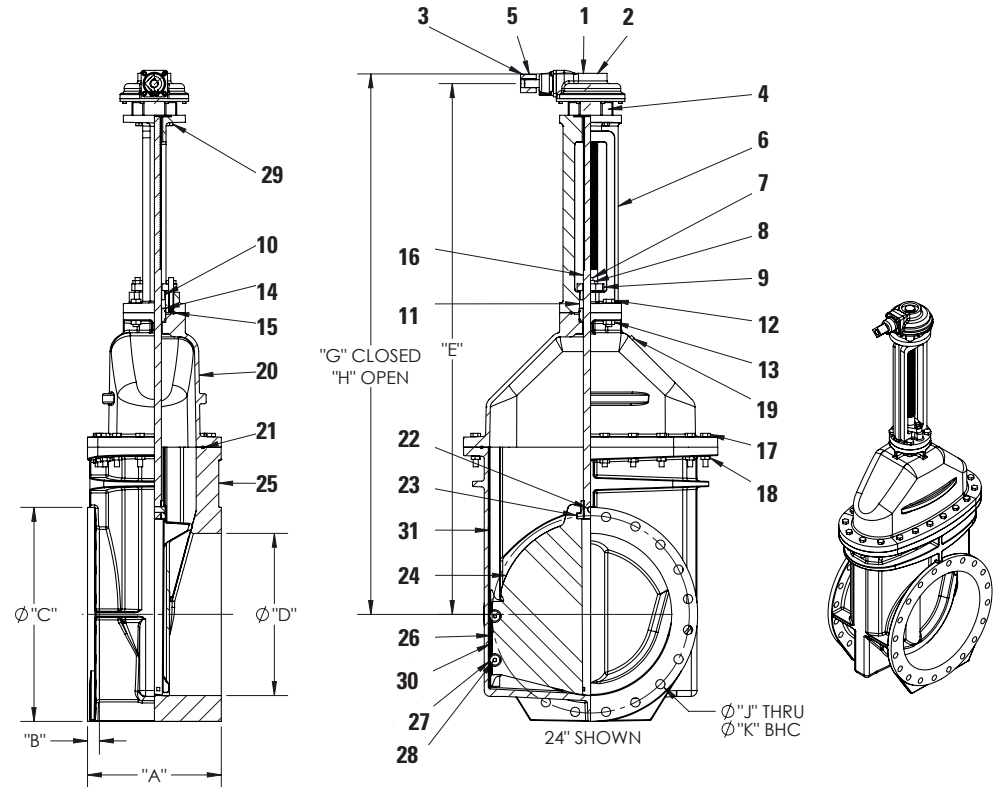


KENNEDY VALVE

# C515 OS&Y / FIG. 7566BMSS RESILIENT SEATED GATE VALVE FLANGED ENDS WITH BEVEL GEARING SIZES 14" - 24"

DRAWING NO.- CAT920029A-01 REV - 1

DIMENSIONS										No. Turns to Open	Weight (lbs.)
SIZE	A	B	C	D	E	G	H	J	K		
14	15"	1-3/8"	21-1/16"	14-1/4"	59-7/8"	59-3/4"	74-3/4"	1" X 12	18-3/4"	52	670.00
16	16"	1-7/16"	23-1/2"	16-1/4"	59-7/8"	59-3/4"	74-3/4"	1" X 16	21-1/4"	52	735.00
18	17"	1-9/16"	25"	18-1/4"	70-1/8"	71-1/4"	92-9/16"	1-1/4" X 16	22-3/4"	64	1100
20	18"	1-11/16"	27-1/2"	20-1/4"	70-1/8"	67-3/8"	94-3/8"	1-1/4" X 20	25"	64	1325
24	20"	1-7/8"	32"	24-1/4"	78-7/8"	81-3/8"	110-5/8"	1-3/8" X 20	29-1/2"	88	1900



PARTS LIST			PARTS LIST			PARTS LIST		
No.	PART	MATERIAL	No.	PART	MATERIAL	No.	PART	MATERIAL
1	EXEECO IB7	Bronze ASTM B584 C83600	12	Hex Cap Screw	GR 2 ZN SAE J429 / 304SS ASTM 18-8SS	23	Stem Nut	Bronze ASTM B584 C87610 / Bronze ASTM B584 C87850 / Bronze ASTM B763 C99500 (NDZ) (14"-20")
2	Square Key	GR 2 ZN SAE J429	13	Hex Nut	ZN A307 Grade B / ASTM F593 S30400/S31600			Bronze ASTM B584 C83600 (24")
3	OP Nut	Gray Iron ASTM A126 Class B	14	Bushing	ZN A307 Grade B / ASTM F593 S30400/S31600	24	Wedge	Ductile Iron ASTM A536 Grade 65-45-12
4	Output Sleeve	Aluminum Bronze ASTM B505 C95800	15	Yoke O-ring	EPDM	25	Body-Flanged Type	Ductile Iron ASTM A536 Grade 65-45-12
5	Roll Pin	Stainless Steel	16	Stem	304SS ASTM A276 S30400 / 316SS ASTM A276 S31600 / Silicon Bronze "A" (Everdur) ASTM B98 C65500	26	Scraper (24")	Bronze ASTM B584 C83600
6	Yoke	Gray Iron ASTM A126 Class B	17	Hex Cap Screw	ZN A307 Grade B / ASTM F593 S30400/S31600	27	Roller (24")	Bronze ASTM B584 C83600
7	Stud	ASTM F593 S30400/S31600	18	Hex Nut	ZN A307 Grade B / ASTM F593 S30400/S31600	28	Pin (24")	Stainless Steel AISI 303
8	Hex Nut	ZN A307 GRADE B / ASTM F593 S30400/S31600	19	Pipe Plug	18-8SS	29	Hex Cap Screw	ZN A307 Grade B / ASTM F593 S30400 / S31600
9	Follower Plate (14"-16")	Gray Iron ASTM A126 Class B	20	Cover	Ductile Iron ASTM A536 65-45-12 ASTM B16 Alloy 306	30	Wedge Cap (18"-20")	Delrin
10	Packing Gland	Bronze ASTM B584 C83600	21	Cover O-Ring	EPDM	31	Track (24")	Stainless Steel AISI 316
11	Packing	Braided, Lubricated (Non-Asbestos) Fiber	22	Stem O-Ring	EPDM			

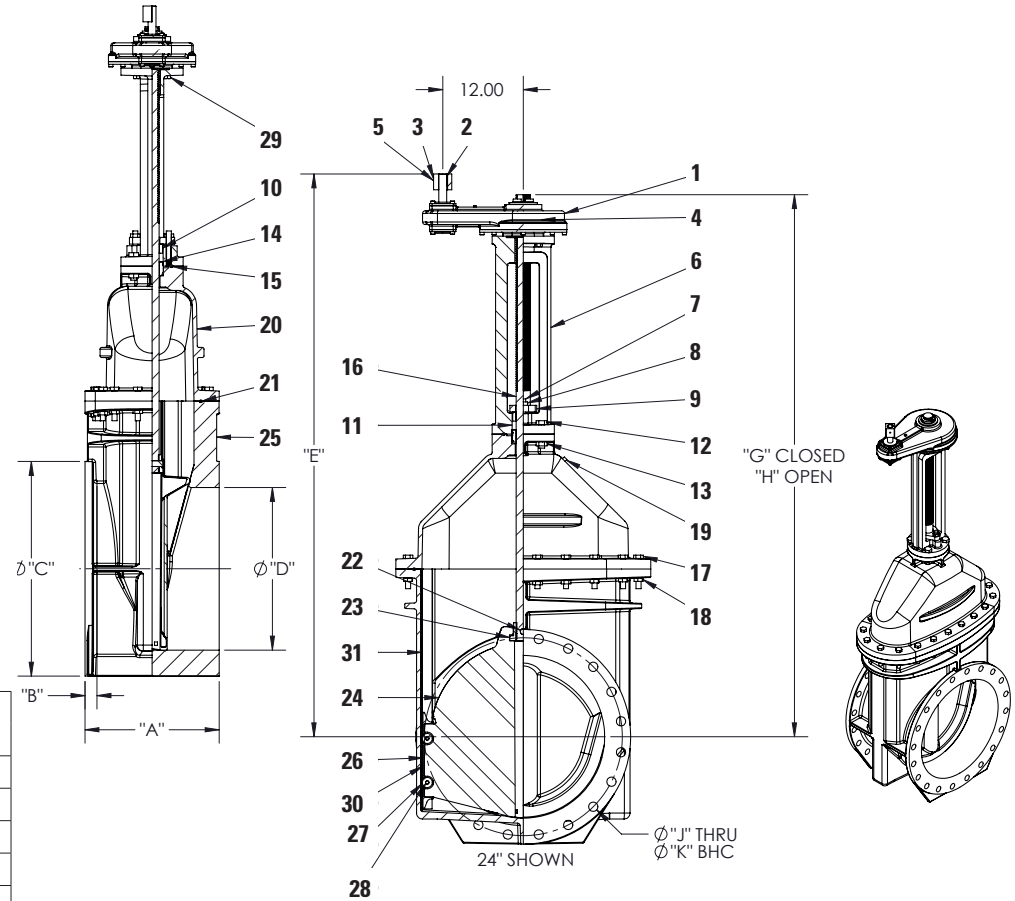




KENNEDY VALVE

# C515 OS&Y / FIG. 7566AMSS RESILIENT SEATED GATE VALVE FLANGED ENDS WITH SPUR GEARING SIZES 14" - 24"

DRAWING NO.- CAT920028A-01 REV - 1



DIMENSIONS										No. Turns to Open	Weight (lbs.)
SIZE	A	B	C	D	E	G	H	J	K		
14	15"	1-3/8"	21-1/16"	14-1/4"	64-1/2"	59-3/4"	74-3/4"	1" X 12	18-3/4"	52	670.00
16	16"	1-7/16"	23-1/2"	16-1/4"	64-1/2"	59-3/4"	74-3/4"	1" X 16	21-1/4"	52	735.00
18	17"	1-9/16"	25"	18-1/4"	74-5/8"	71-1/4"	92-9/16"	1-1/4" X 16	22-3/4"	64	1100
20	18"	1-11/16"	27-1/2"	20-1/4"	74-5/8"	67-3/8"	94-3/8"	1-1/4" X 20	25"	64	1325
24	20"	1-7/8"	32"	24-1/4"	83-1/2"	81-3/8"	110-5/8"	1-3/8" X 20	29-1/2"	88	1900

PARTS LIST			PARTS LIST			PARTS LIST		
No.	PART	MATERIAL	No.	PART	MATERIAL	No.	PART	MATERIAL
1	EXEECO IS7	Bronze ASTM B584 C83600	12	Hex Cap Screw	GR 2 ZN SAE J429 / 304SS ASTM 18-8SS	23	Stem Nut	Bronze ASTM B584 C87610 / Bronze ASTM B584 C87850 / Bronze ASTM B763 C99500 (NDZ) (14"-20")
2	Square Key	GR 2 ZN SAE J429	13	Hex Nut	ZN A307 Grade B / ASTM F593 S30400/S31600	24	Wedge	Bronze ASTM B584 C83600 (24")
3	OP Nut	Gray Iron ASTM A126 Class B	14	Bushing	ZN A307 Grade B / ASTM F593 S30400/S31600			Ductile Iron ASTM A536 Grade 65-45-12
4	Output Sleeve	Aluminum Bronze ASTM B505 C95800	15	Yoke O-ring	EPDM	25	Body-Flanged Type	Ductile Iron ASTM A536 Grade 65-45-12
5	Roll Pin	Stainless Steel	16	Stem	304SS ASTM A276 S30400 / 316SS ASTM A276 S31600 / Silicon Bronze "A" (Everdur) ASTM B98 C65500	26	Scraper (24")	Bronze ASTM B584 C83600
6	Yoke	Gray Iron ASTM A126 Class B	17	Hex Cap Screw	ZN A307 Grade B / ASTM F593 S30400/S31600	27	Roller (24")	Bronze ASTM B584 C83600
7	Stud	ASTM F593 S30400/S31600	18	Hex Nut	ZN A307 Grade B / ASTM F593 S30400/S31600	28	Pin (24")	Stainless Steel AISI 303
8	Hex Nut	ZN A307 GRADE B / ASTM F593 S30400/S31600	19	Pipe Plug	18-8SS	29	Hex Cap Screw	ZN A307 Grade B / ASTM F593 S30400 / S31600
9	Follower Plate (14"-16")	Gray Iron ASTM A126 Class B	20	Cover	Ductile Iron ASTM A536 65-45-12 ASTM B16 Alloy 306	30	Wedge Cap (18"-20")	Delrin
10	Packing Gland	Bronze ASTM B584 C83600	21	Cover O-Ring	EPDM	31	Track (24")	Stainless Steel AISI 316
11	Packing	Braided, Lubricated (Non-Asbestos) Fiber	22	Stem O-Ring	EPDM			