



KENNEDY VALVE



AWWA

# 2”-12” Resilient Seated Gate Valve Model KS RW High Pressure C515 General Dimensions

**Note:** Conforms to dimensional, material, and test requirements 350 PSI rating.

AWWA C515 - Model “KS RW”

AWWA C509 - Model “KS FW” in Ductile ASME B16.1 Class 125 Flanges

2” OS&Y Flanged and Threaded versions are UL Listed

2” - 3” sizes full wall ductile iron (per AWWA C509 dimensions)

END CONNECTIONS	STEM TYPE	SIZE RANGE	FIGURE NO.	w/ POST PLATE
Flanged Ends	Non-Rising	2”-12”	5561ASS	5701ASS (3”-12”)
Mechanical Joint	Non-Rising	2”-12”	5571SS	5071SS (3”-12”)
Flange x Mechanical Joint	Non-Rising	3”-12”	5572SS	5702SS
Flanged Ends	OS&Y	2”-12”	5068A	
Mechanical Joint x Tap Ends	Non-Rising	3”-12”	5950SS	5704SS
Groove x Flange Ends	OS&Y	2.5”-10”	5092	
Grooved Ends	OS&Y	2.5”-10”	5093ASS	

SIZE RANGE	WATER WORKING PRESSURE PSI	SEAT TEST PSI	HYDROSTATIC SHELL TEST PSI
AWWA 2”-12”	350 Water Work	350	700
ULFM 2.5”-12”	350 Fire Protection	525	700

### ACCESSORIES

Indicator Posts	Floorstands (Non-Rising Stem)
“T” Handles”	Handwheels
Stem Guides	Extension Stems
2” Sq. Operating Nuts	Chain Wheels



KENNEDY VALVE

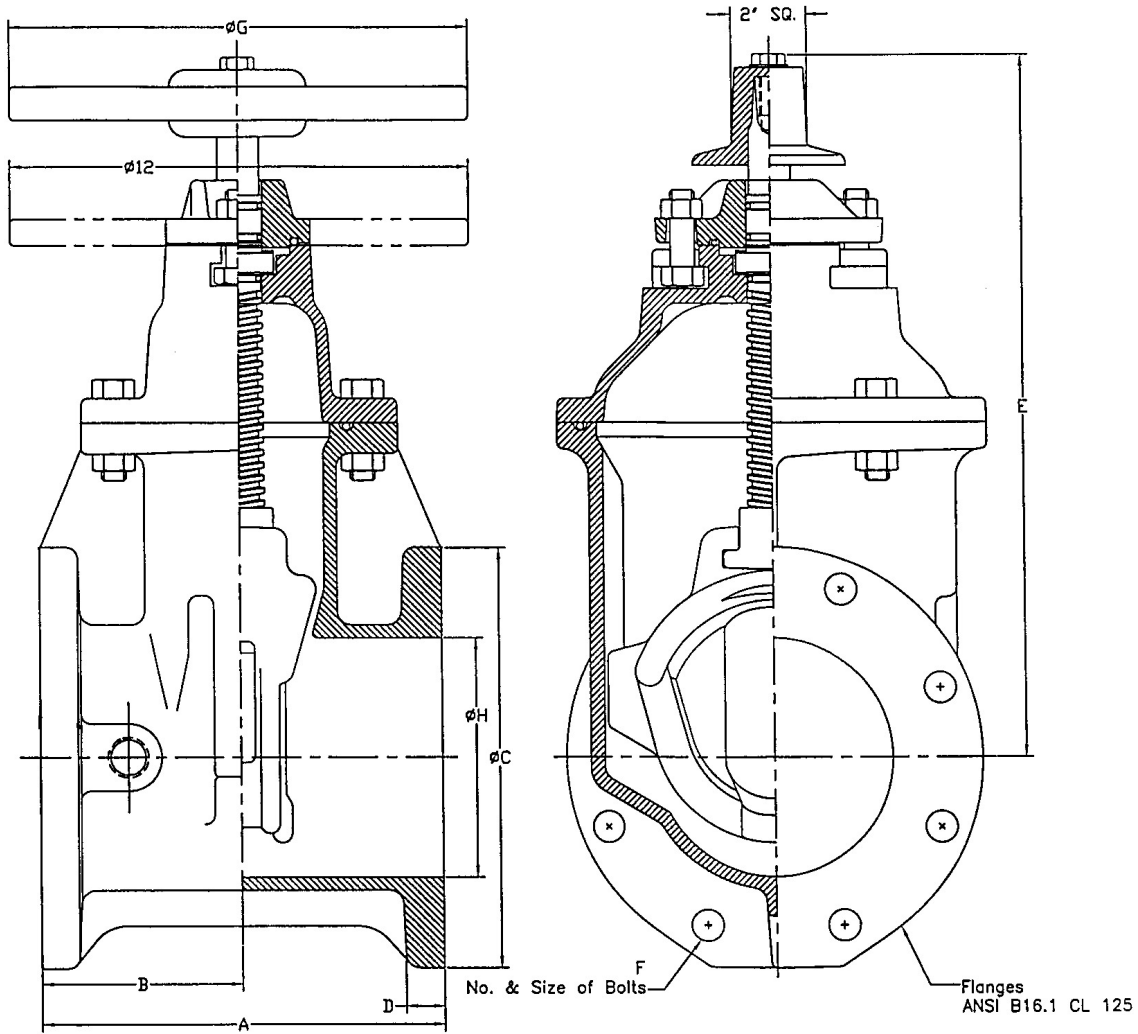
**2"-12" Resilient Seated Gate Valve  
KS RW High Pressure Non-Rising  
Flanged Ends  
General Dimensions**



Fig. 5561A SS

Fig. 5701A SS 3"-12" (with post plate)

AWWA



ALL FLANGE VALVES TAPPED & PLUGGED @ POSITION "A"

VALVE SIZE	A	B	C	D	E	F	G	H
2"	7"	3-1/2"	6"	5/8"	10-7/8"	4-5/8"	7-1/4"	2"
2.5"	7-1/2"	3-3/4"	7"	11/16"	11-3/8"	4-5/8"	7-1/4"	2-1/2"
3"	8"	4"	7-1/2"	3/4"	12-3/8"	4-5/8"	10"	3"
4"	9"	4-1/2"	9"	15/16"	14-3/4"	8-5/8"	10"	4-1/4"
6"	10-1/2"	5-1/4"	11"	1"	19"	8-3/4"	12"	6-1/4"
8"	11-1/2"	5-3/4"	13-1/2"	1-1/8"	22-1/2"	8-3/4"	14"	8-1/4"
10"	13"	6-1/2"	16"	1-3/16"	26-1/2"	12-7/8"	18"	10-1/4"
12"	14"	7"	19"	1-1/4"	30"	12-7/8"	18"	12-1/4"



KENNEDY VALVE

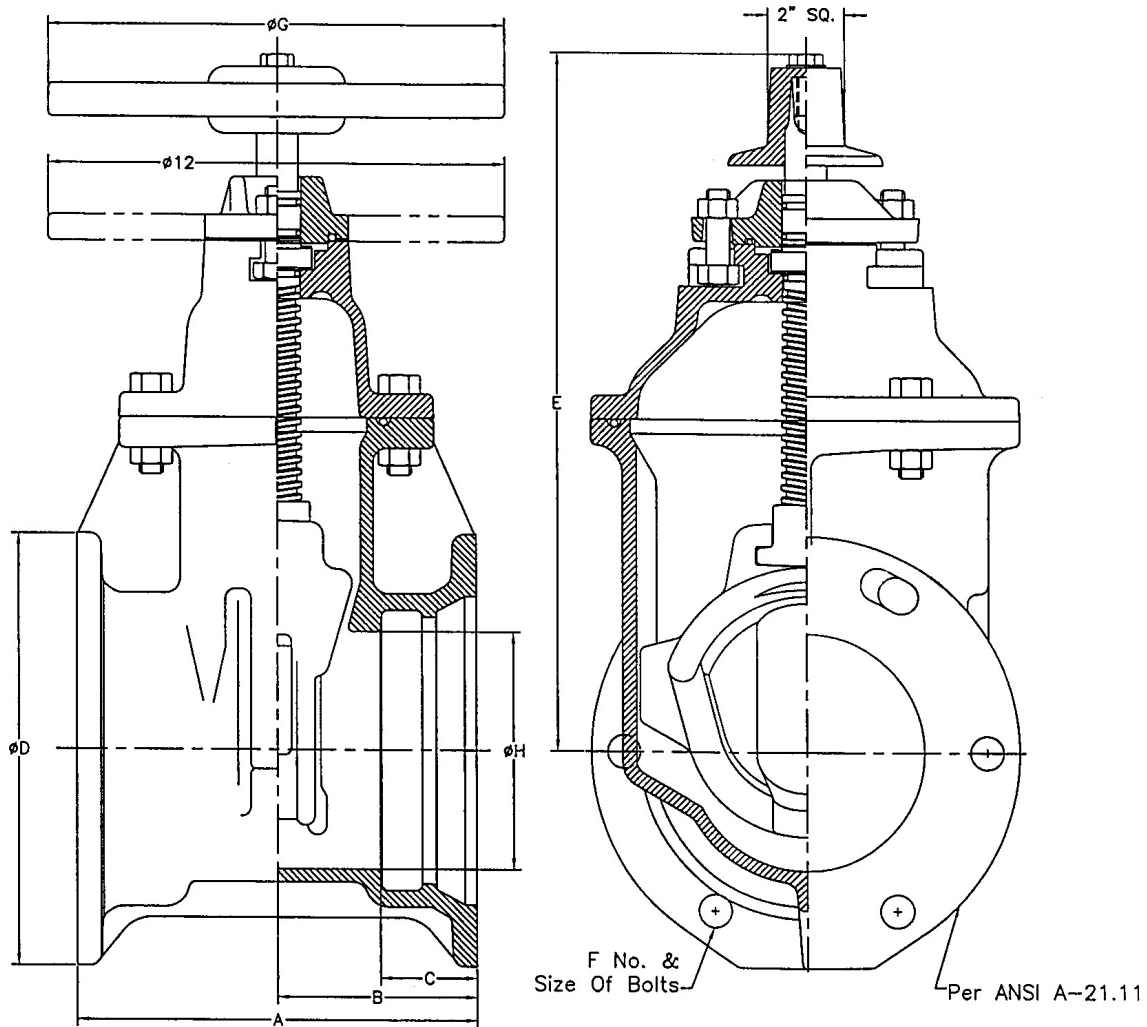
**2"-12" Resilient Seated Gate Valve  
KS RW High Pressure Non-Rising  
Mechanical Joint  
General Dimensions**



Fig. 5571SS

Fig. 5071SS 3"-12" (with post plate)

AWWA



VALVE SIZE	A	B	C	D	E	F	G	H
2"	8-1/4"	4-1/8"	2-1/2"	4-1/2"	10-7/8"	2-5/8"	7-1/4"	2"
2.5"	-	-	-	-	-	-	-	-
3"	8-1/2"	4-1/4"	2-1/2"	7-3/4"	12-3/8"	4-5/8"	10"	3"
4"	9-1/2"	4-3/4"	2-1/2"	9-1/8"	14-3/4"	4-3/4"	10"	4-1/4"
6"	10-1/2"	5-1/4"	2-1/2"	11-1/8"	19"	6-3/4"	12"	6-1/4"
8"	13-1/8"	6-9/16"	2-1/2"	13-3/4"	22-1/2"	6-3/4"	14"	8-1/4"
10"	15-1/2"	7-3/4"	2-1/2"	15-3/4"	26-1/2"	8-3/4"	18"	10-1/4"
12"	16"	8"	2-5/8"	18"	30"	8-3/4"	18"	12-1/4"



KENNEDY VALVE

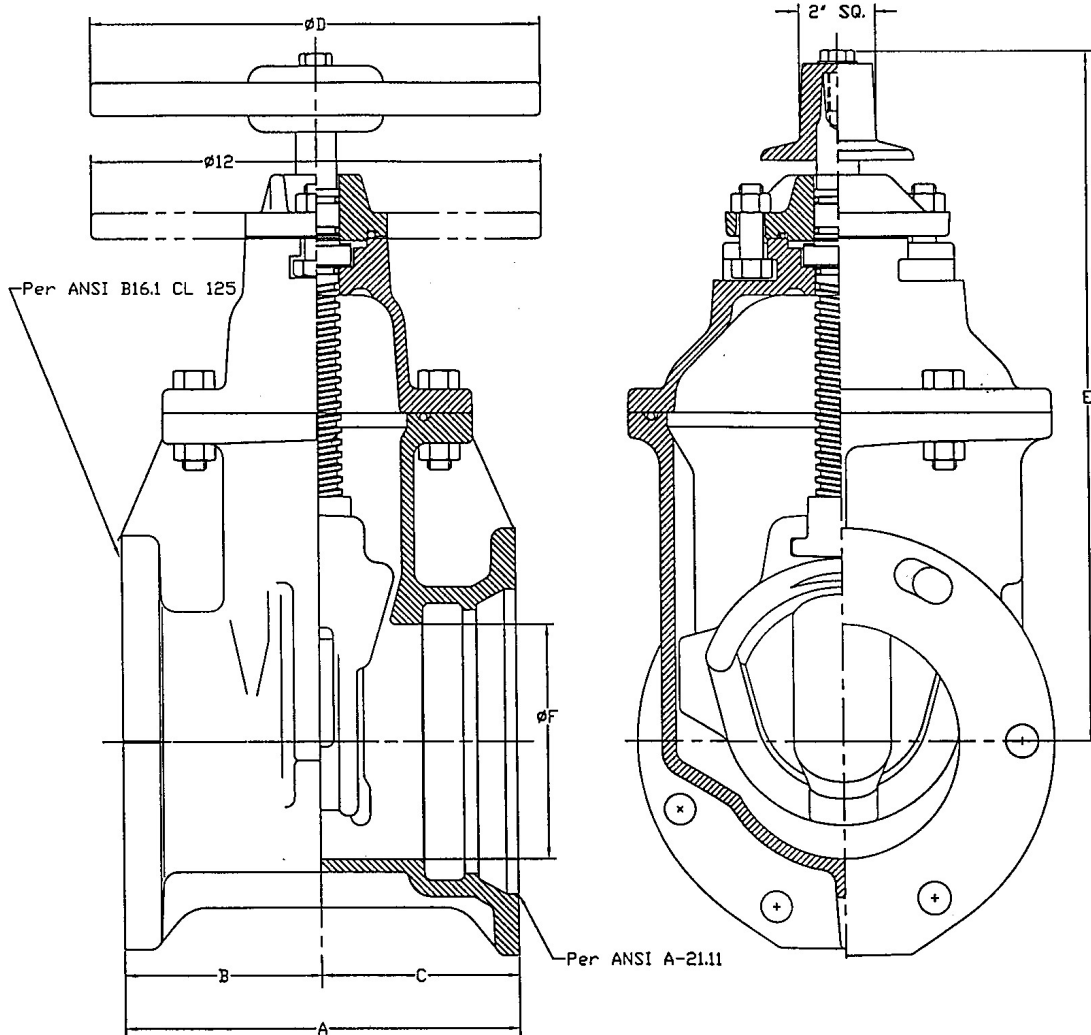
# 3"-12" Resilient Seated Gate Valve KS RW High Pressure Non-Rising Flange x Mechanical Joint General Dimensions



AWWA

Fig. 5572SS

Fig. 5702SS (with post plate)



VALVE SIZE	A	B	C	D	E	F
3"	8-1/4"	4"	4-1/4"	10"	12-3/8"	3"
4"	9-1/4"	4-1/2"	4-3/4"	10"	14-3/4"	4-1/4"
6"	10-1/2"	5-1/4"	5-1/4"	12"	19"	6-1/4"
8"	12-5/16"	5-3/4"	6-9/16"	14"	22-1/2"	8-1/4"
10"	14-1/4"	6-1/2"	7-3/4"	18"	26-1/2"	10-1/4"
12"	15"	7"	8"	18"	30"	12-1/4"



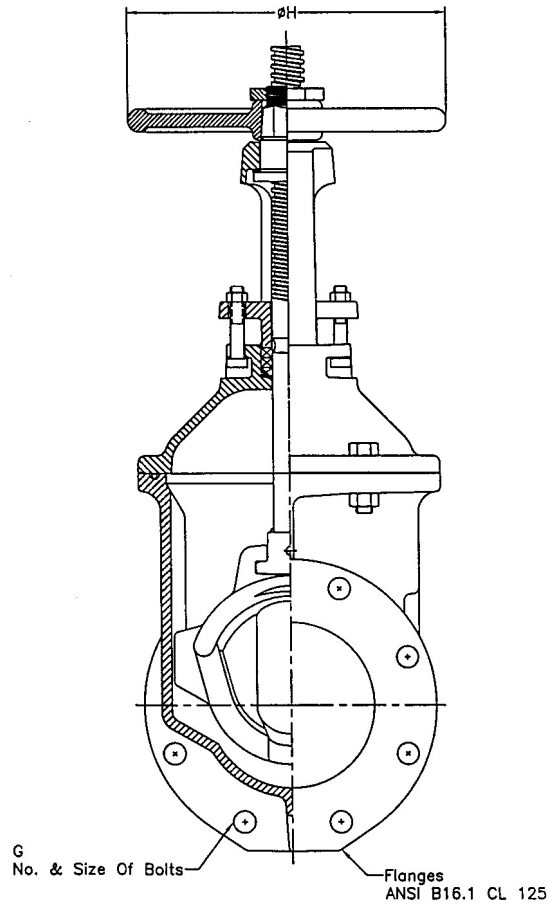
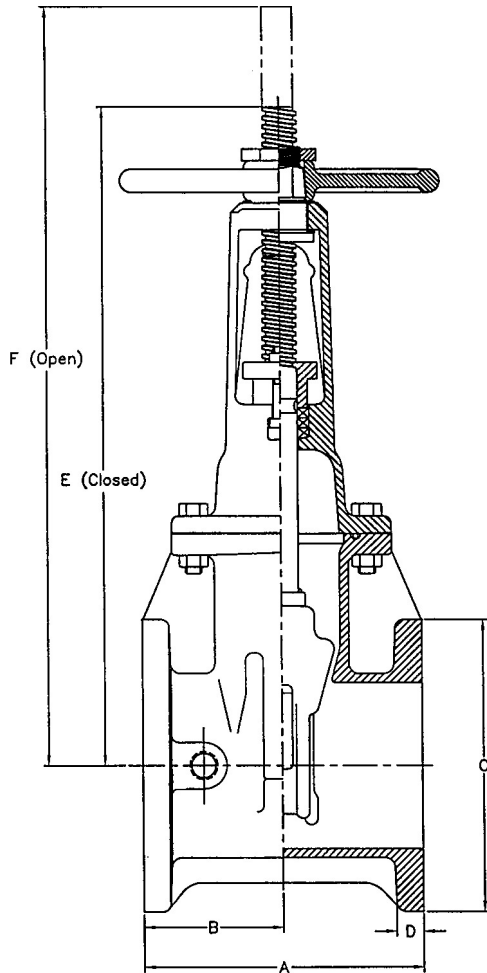
KENNEDY VALVE

**2"-12" Resilient Seated Gate Valve  
KS RW High Pressure OS&Y  
Flanged Ends  
General Dimensions**



Fig. 5068A

AWWA



VALVE SIZE	A	B	C	D	E	F	G	H
2"	7"	3-1/2"	6"	5/8"	12"	10"	4-5/8"	7-1/4"
2.5"	7-1/2"	3-3/4"	7"	11/16"	13-7/8"	16-3/8"	4-5/8"	7-1/4"
3"	8"	4"	7-1/2"	3/4"	15-5/8"	18-7/8"	4-5/8"	10"
4"	9"	4-1/2"	9"	15/16"	18-1/4"	22-3/4"	8-5/8"	10"
6"	10-1/2"	5-1/4"	11"	1"	23-3/4"	30-1/8"	8-3/4"	12"
8"	11-1/2"	5-3/4"	13-1/2"	1-1/8"	29-1/4"	37-3/4"	8-3/4"	14"
10"	13"	6-1/2"	16"	1-3/16"	35-3/8"	45-3/4"	12-7/8"	18"
12"	14"	7"	19"	1-1/4"	40-5/8"	53-1/8"	12-7/8"	18"



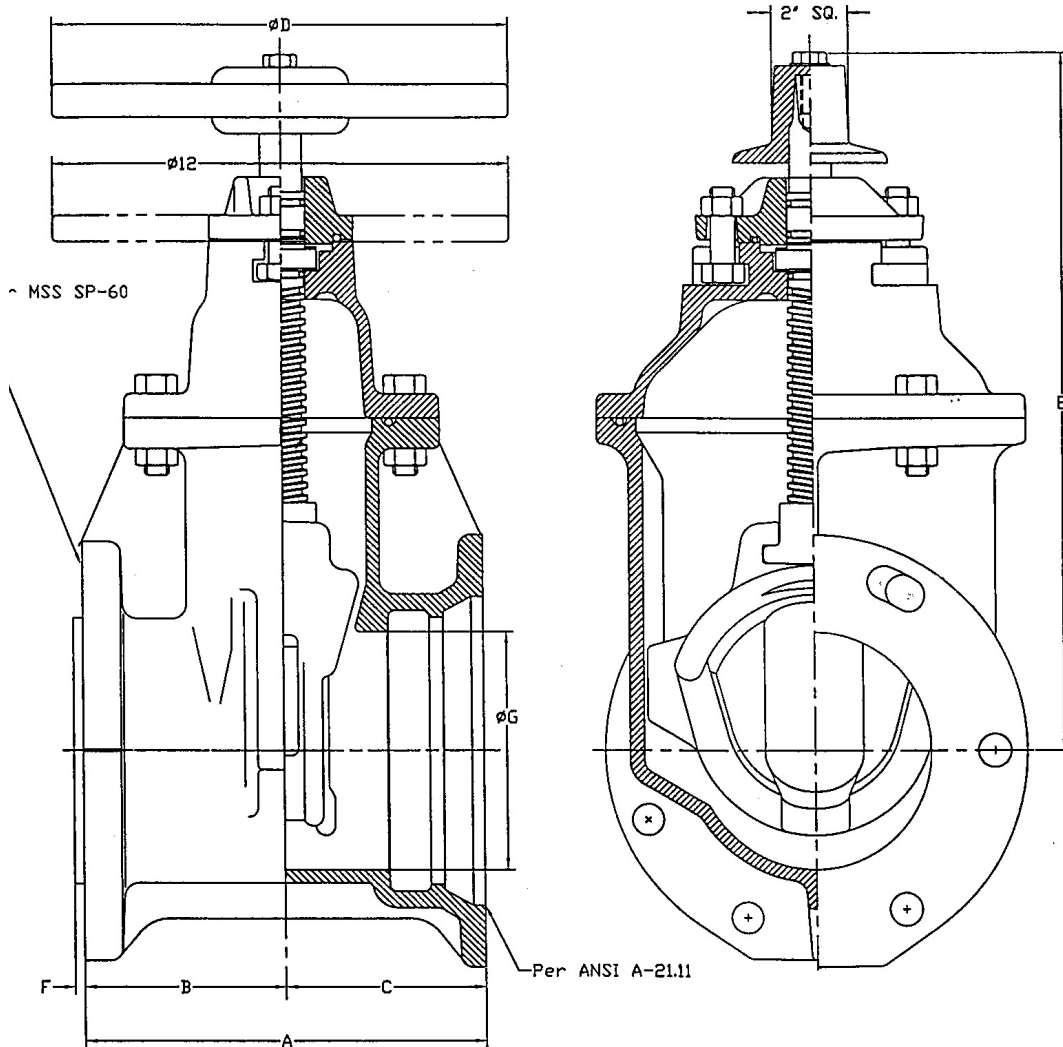
KENNEDY VALVE

# 3"-12" Resilient Seated Gate Valve KS RW High Pressure Non-Rising Mechanical Joint x Tap Ends General Dimensions



Fig. 5950SS  
Fig. 5704SS (with post plate)

AWWA



VALVE SIZE	A	B	C	D	E	F	G
3"	8-1/4"	4"	4-1/4"	10"	12-3/8"	3/16"	3"
4"	9-1/4"	4-1/2"	4-3/4"	10"	14-3/4"	3/16"	4-1/4"
6"	10-1/2"	5-1/4"	5-1/4"	12"	19"	1/4"	6-1/4"
8"	13-1/4"	5-3/4"	7-1/2"	14"	22-1/2"	1/4"	8-1/4"
10"	14-1/4"	6-1/2"	7-3/4"	18"	26-1/2"	1/4"	10-1/4"
12"	15"	7"	8"	18"	30"	1/4"	12-1/4"



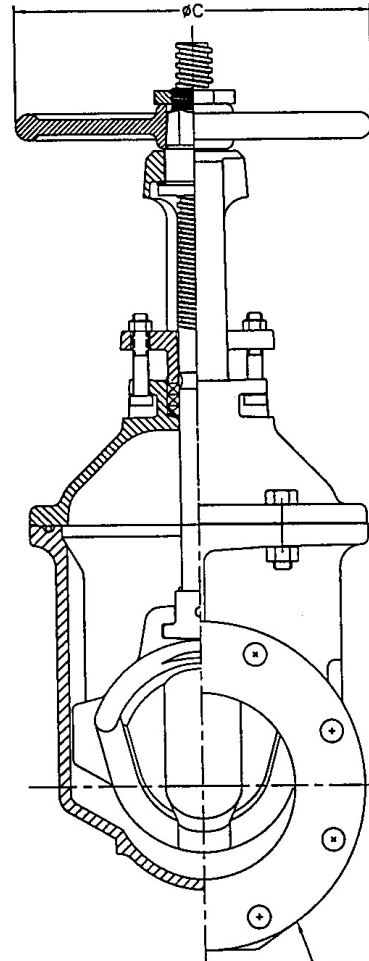
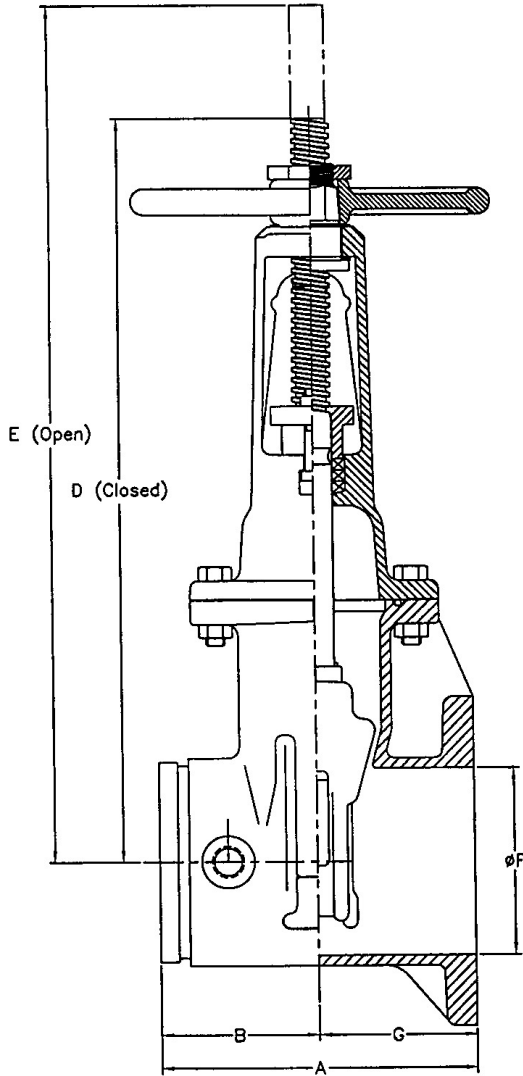
KENNEDY VALVE

# 2-1/2"-10" Resilient Seated Gate Valve KS RW High Pressure OS&Y Groove x Flange Ends General Dimensions



Fig. 5092

AWWA



Flanges  
ANSI B16.1 CL 125

VALVE SIZE	A	B	C	D	E	F	G
2.5"	7-1/2"	3-3/4"	7-1/4"	13-7/8"	16-3/8"	2-1/2"	3-3/4"
3"	8"	4"	10"	15-5/8"	18-7/8"	3"	4"
4"	9"	4-1/2"	10"	18-1/4"	22-3/4"	4-1/4"	4-1/2"
6"	10-1/2"	5-1/4"	12"	23-3/4"	30-1/8"	6-1/4"	5-1/4"
8"	11-1/2"	5-3/4"	14"	29-1/4"	37-3/4"	8-1/4"	5-3/4"

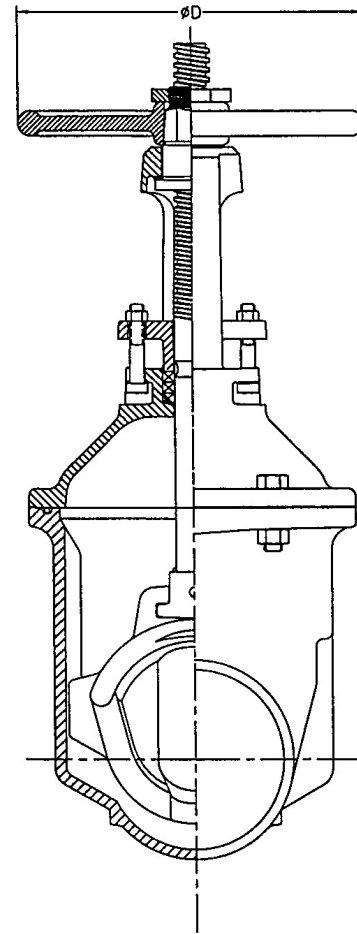
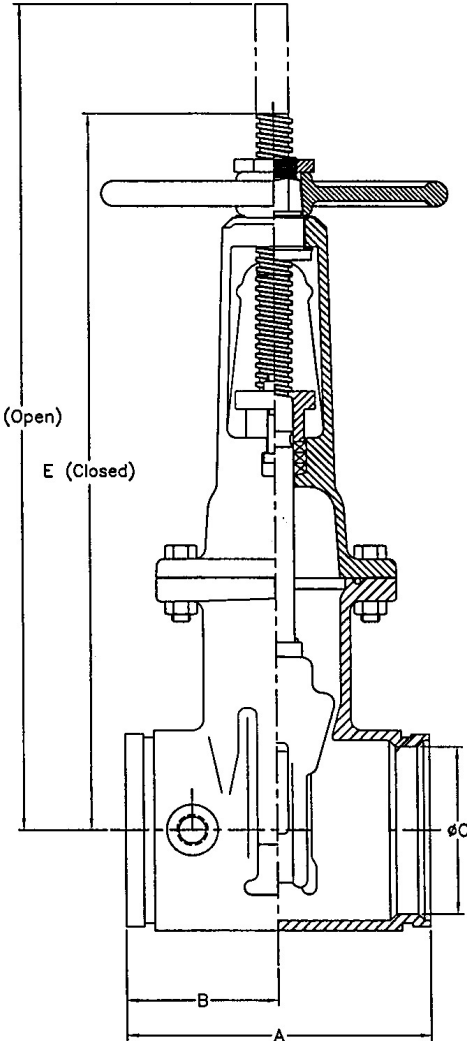


KENNEDY VALVE

# 2-1/2"-10" Resilient Seated Gate Valve KS RW High Pressure OS&Y Grooved Ends General Dimensions



Fig. 5093ASS (with handwheel)



VALVE SIZE	A	B	C	D	E	F
2.5"	7-1/2"	3-3/4"	1.97	7-1/4"	13-7/8"	16-3/8"
3"	8"	4"	2.63	10"	15-5/8"	18-7/8"
4"	9"	4-1/2"	3.75	10"	18-1/4"	22-3/4"
6"	10-1/2"	5-1/4"	5.80	12"	23-3/4"	30-1/8"
8"	11-1/2"	5-3/4"	7.67	14"	29-1/4"	37-3/4"