

RESILIENT SEATED GATE VALVE

C515 DATA SHEET SIZES 2"-12" KS RW

Note: 2" OS&Y Flanged and Threaded versions are UL Listed. All OS&Y Gates incorporate a pre-grooved stem for supervisory switch.

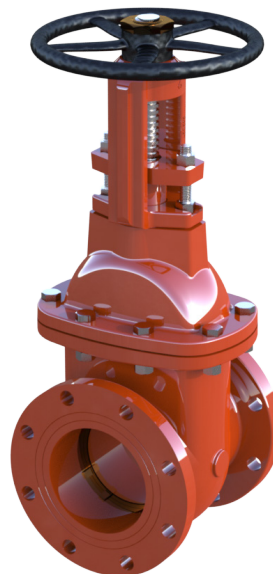
END CONNECTIONS	STEM TYPE	SIZE RANGE	FIGURE NO.	w/ POST PLATE
Flanged Ends	Non-Rising	2"-12"	7561ASS	7701ASS (3"-12")
Mechanical Joint	Non-Rising	2"-12"*	7571SS	7071SS (3"-12")
Flange x Mechanical Joint	Non-Rising	3"-12"	7572SS	7702SS (3"-12")
Push-on for PVC (SDR)	Non-Rising	2"-8"	7597SS	7597PSS (3"-8")
Flanged Ends	OS&Y	2"-12"	7068A	N/A
Mechanical Joint x Tap Ends	Non-Rising	4"-12"	7950SS	7950PSS
Push-on for D.I. & C900 PVC	Non-Rising	4"-12"	7901SS	7901PSS
M.J. Cutting-in	Non-Rising	4"-12"	7576SS	7576PSS
Push-on for D.I. x Fig.	Non-Rising	4-12"	7902SS	7902PSS
Threaded	Non-Rising	2"-3"	7057SS	7057PSS (3" only)
Threaded	OS&Y	2"-3"	7067SS	N/A

SIZE RANGE	WATER WORKING PRESSURE PSI	SEAT TEST PSI	HYDROSTATIC SHELL TEST PSI
AWWA 2"-12"	250 Water Work	300	500
ULFM 2"-12"	200 Fire Protection	300	500

Available in either non-rising stem or outside screw or yoke.

ACCESSORIES

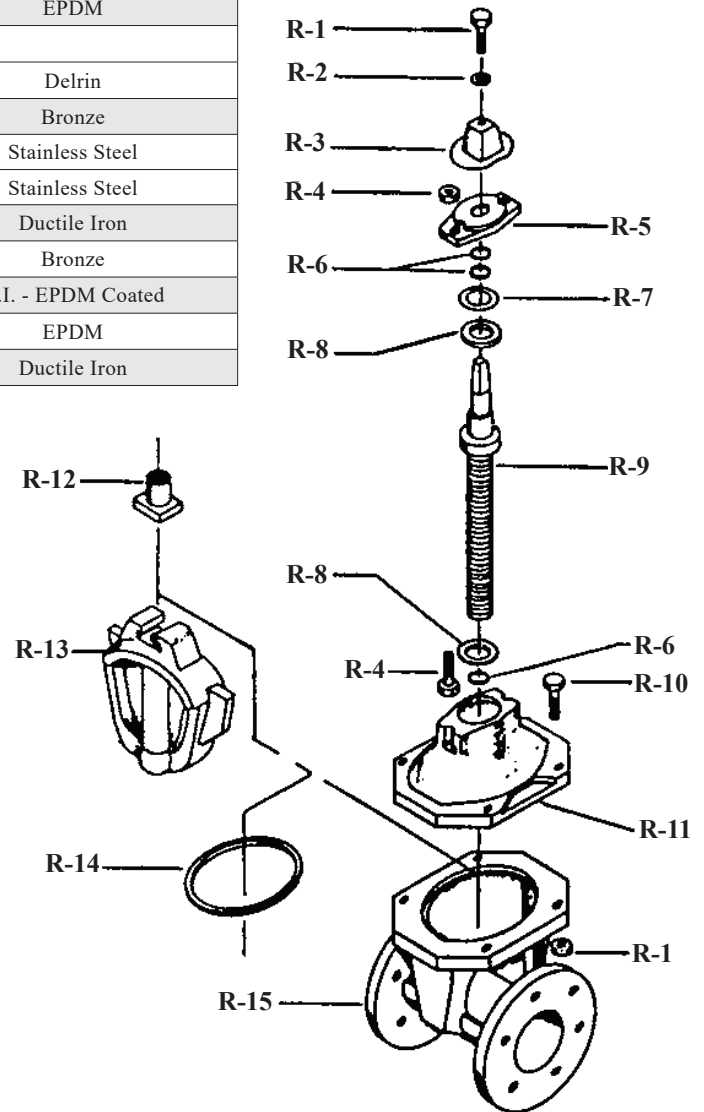
- Indicator Posts
- "T" Handles
- Stem Guides
- 2" Sq. Operating Nuts
- Floor Boxes
- Floorstands (Non-Rising Stem)
- Handwheels
- Extension Stems
- Chain Wheels



RESILIENT SEATED GATE VALVE

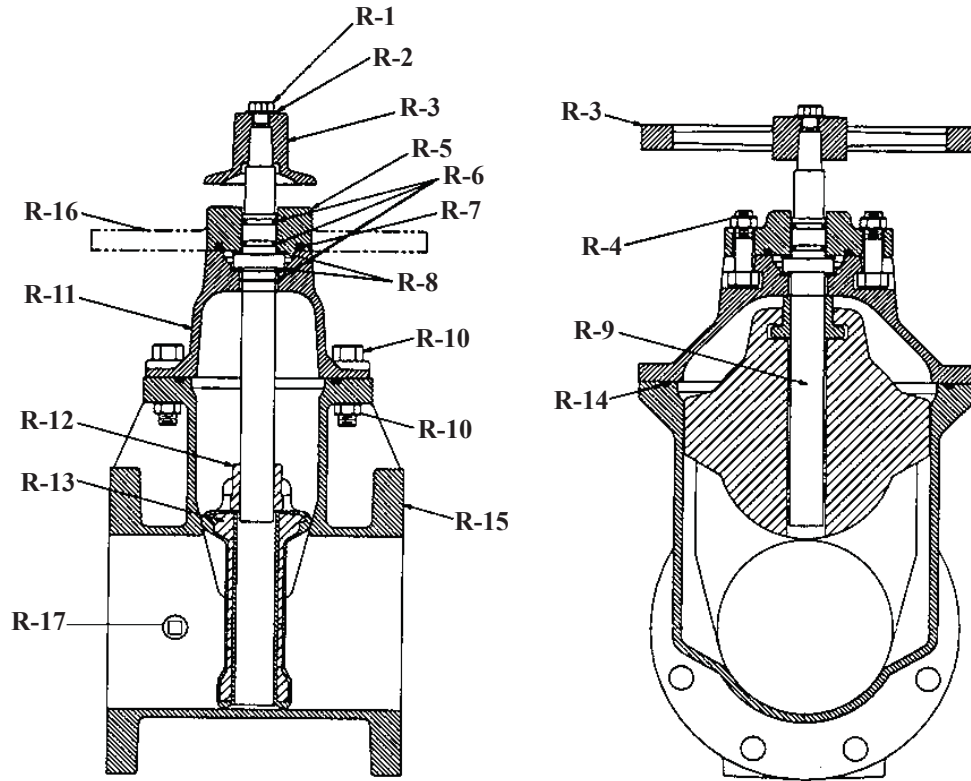
SIZES 2"-12" KS RW NON-RISING C515 ASSEMBLY EXPLOSION

DET.	QTY.	DESCRIPTION	MATERIALS
R-1	1	Hold Down Hex Bolt	Stainless Steel
R-2	1	Hold Down Bolt Washer	Zinc Plated Steel
R-3	1	Sq. Operating Nut OR Handwheel (Not Shown)	Cast Iron
R-4	2	Bolt & Nut (Stuffing Box)	Stainless Steel
R-5	1	Stuffing Box (10" & 12" D.I.)	Cast Iron
R-6	3	O-ring (Stem) 1 Below Collar	EPDM
R-7	1	O-ring (Stuffing Box)	EPDM
R-8	1	Thrust Washer (Sizes 2" - 2-1/2")	Delrin
	2	Thrust Washer (Sizes 3" - 12")	
R-9	1	Stem	Bronze
R-10	4	Cover Bolts & Nuts (Sizes 2" - 6")	Stainless Steel
	8	Cover Bolts & Nuts (Sizes 8" - 12")	Stainless Steel
R-11	1	Cover	Ductile Iron
R-12	1	Stem Nut	Bronze
R-13	1	Wedge Disc	D.I. - EPDM Coated
R-14	1	O-ring (Cover)	EPDM
R-15	1	Body	Ductile Iron



RESILIENT SEATED GATE VALVE

SIZES 2"-12" KS RW NON-RISING C515 MATERIAL LIST

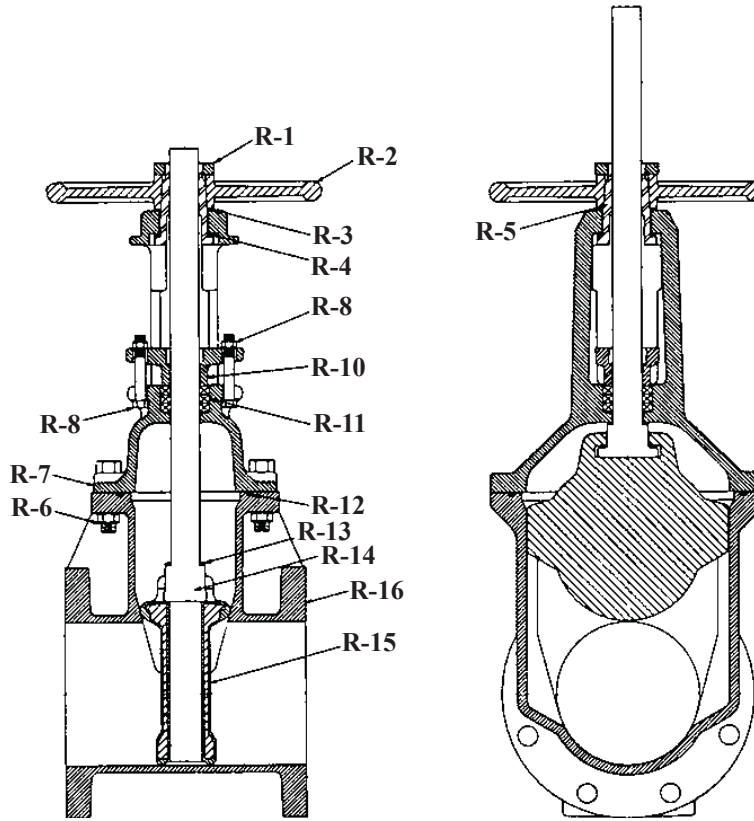


Pipe Plug standard on Flange & Groove Valves @ Position "A"

DET.	DESCRIPTION	MATERIAL	ASTM SPEC.
R-1	Hex Head Bolt	Stainless Steel	ASTM F593C
R-2	Flat Washer	Zinc Plated Steel	ASTM A307
R-3	Operating Nut	Cast Iron	ASTM A126 Class B
	Handwheel	Cast Iron	ASTM A126 Class B
R-4	Hex Bolt & Nut	Stainless Steel	ASTM F593C / F594
R-5	Stuffing Box (Sizes 2" - 8")	Cast Iron	ASTM A126 Class B
	Stuffing Box (Sizes 10" & 12")	Double Iron	ASTM A536
R-6	O-ring (Stem)	EPDM	-----
R-7	O-ring (Stuffing Box)	EPDM	-----
R-8	Thrust Washer	Delrin	-----
R-9	Stem	Bronze	ASTM B584 C86700
R-10	Hex Head Cover Bolts & Nuts	Stainless Steel	ASTM F593C / F594
R-11	Cover	Ductile Iron	ASTM A536
R-12	Stem Nut	Bronze (NDZ)	ASTM B763 C99500
R-13	Wedge (EPDM Encapsulated)	Ductile Iron	ASTM A536
R-14	O-ring (Cover)	EPDM	-----
R-15	Body (All Types)	Ductile Iron	ASTM A536
R-16	Plate	Cast Iron	ASTM A126 Class B
R-17	Pipe Plug: 1/2", 2-1/2" - 4"--3/4", 6" - 12")	Galvanized Steel	-----

RESILIENT SEATED GATE VALVE

SIZES 2"-12" KS RW OS&Y C515 MATERIAL LIST



Pipe Plug standard on Flange & Groove Valves @ Position "A"

DET.	DESCRIPTION	MATERIAL	ASTM SPEC.
R-1	Handwheel Nut	Bronze (AWWA Grade A)	ASTM B584 C84400
R-2	Handwheel	Cast Iron	ASTM A126 Class B
R-3	Upper Thrust Washer	Brass	ASTM B36 C26000
R-4	Lower Thrust Washer	Nylatron	-----
R-5	Yoke Nut	Bronze	ASTM B584 C86700
R-6	Hex. Head Cover Bolts & Nut	Zinc Plated Steel	Grade 2 SAE J429
R-7	Cover	Ductile Iron	ASTM A536
R-8	Packing Bolts	Zinc Plated Steel	Grade 2 SAE J429
R-8	Packing Bolt Nuts	Brass	ASTM F467
R-10	Packing Gland	Ductile Iron	ASTM A536
R-11	Packing	Sq. Braided Non-Asbestos	-----
R-12	O-ring (Cover)	EPDM	-----
R-13	O-ring (Stem)	EPDM	-----
R-14	Stem, Pre-grooved	Stainless Steel	ASTM A276 Type 304
R-15	Wedge (EPDM Encapsulated)	Ductile Iron	ASTM A536
R-16	Body (All Types)	Ductile Iron	ASTM A536
R-17	Pipe Plug: 1/2", 2-1/2" - 4"-3/4"; 6"-12"	Galvanized Steel	-----

RESILIENT SEATED GATE VALVE

SIZES 2"-12" KS RW OS&Y C515 ASSEMBLY EXPLOSION

DET.	QTY.	DESCRIPTION	MATERIALS
R-1	1	Handwheel Hold Down Nut	Bronze
R-2	1	Handwheel	Cast Iron
R-3	1	Upper Thrust Washer (Sizes 3" - 12")	Bronze
R-4	1	Lower Thrust Washer	Bronze
R-5	1	Yoke Nut	Bronze
R-6	4	Cover Bolts & Nuts (Sizes 2-1/2" - 6")	Zinc Plated Steel
	8	Cover Bolts & Nuts (Sizes 8" - 12")	Zinc Plated Steel
R-7	1	Cover	Ductile Iron
R-8	2	Packing Bolts	Zinc Plated Steel
R-9	2	Packing Bolt Nuts	Brass
R-10	1	Packing Gland	Ductile Iron
R-11		Packing	Sq. Braided Polymer
R-12	1	O-ring (Cover)	EPDM
R-13	1	O-ring (Stem)	EPDM
R-14	1	Stem, Pre-grooved	Stainless Steel
R-15	1	Wedge Disc	D.I. - EPDM Coated
R-16	1	Body	Ductile Iron
R-17	1	Pipe Plug	Galvanized Steel

