



KENNEDY VALVE

# INDICATOR POSTS

## CERTIFICATIONS

ISO 9001

ISO 14001

BS OHSAS 18001



## AWWA APPROVED

\* Listings specific  
to product



WWW.KENNEDYVALVE.COM



## General Specifications

- Type: Post Indicator Telescopic Barrel
- Suitable for Gate Valve sizes 4" to 24" (DN100 - DN600)
- Approvals: UL 789 & FM 1110

## Models

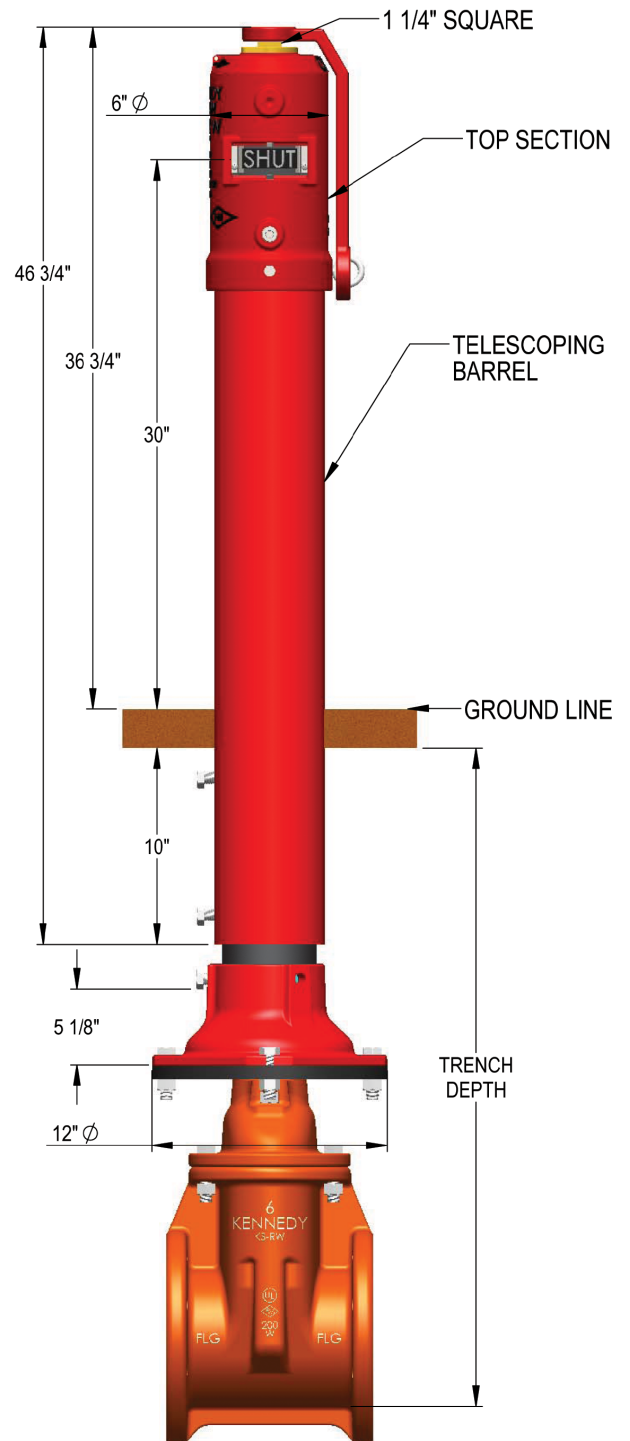
- 2945A: Adjustable type, available in B, C, D, and E sizes
- 2945: Fixed types, available in F, G, and H sizes
- 2945W: Wall type, can mount horizontally to wall mount
- 2945ALV: Adjustable Large Valve type, 18" to 24" valves, available in B, C, D, and E sizes, 72 turns.

## Features

- Target nut to allow 9 to 45 turns (2945)
- Adjustable indicator plate (open / shut)
- Protected window to indicate the valve open or closed position
- Tapped for supervisory switch

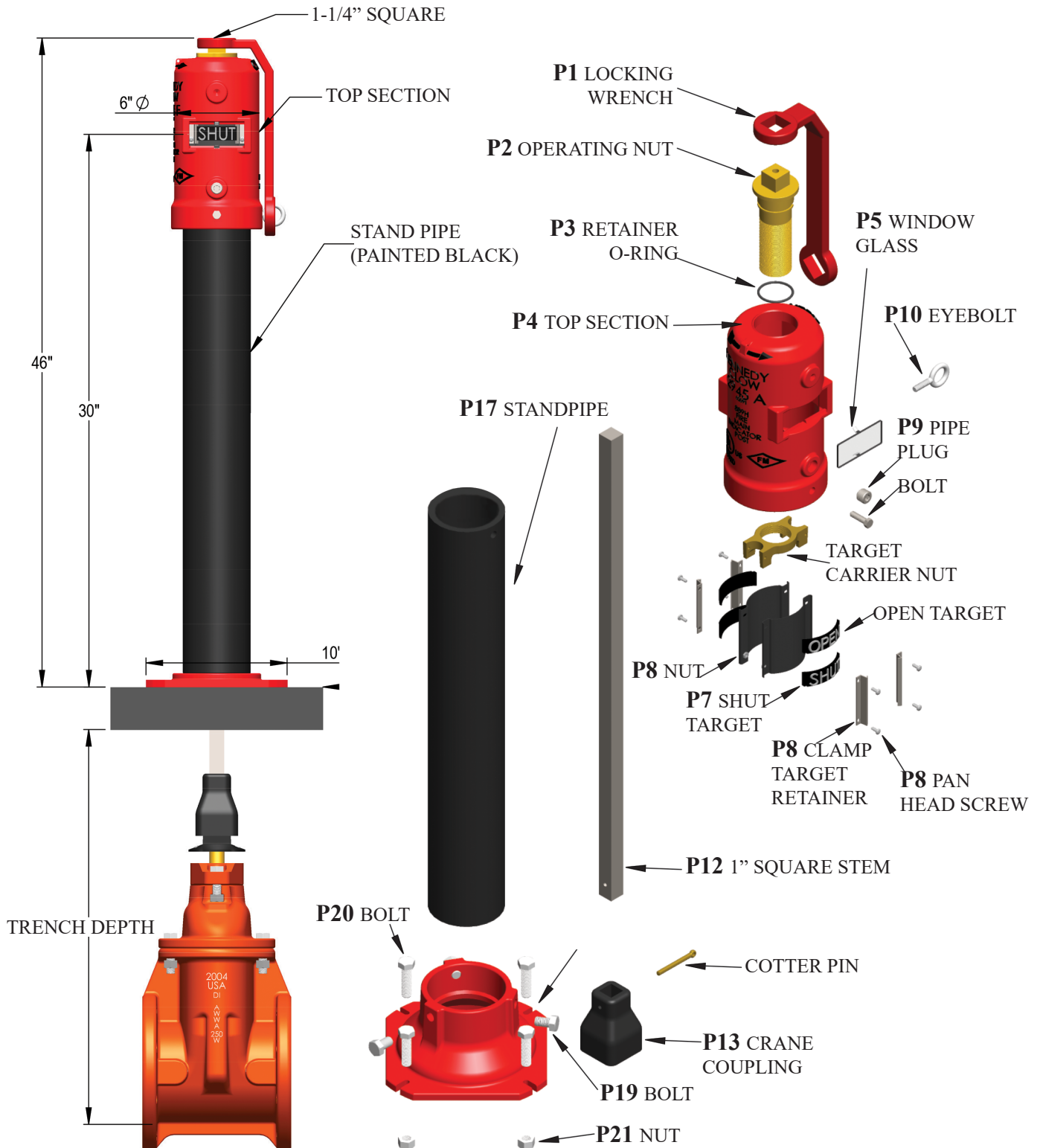
## Coating

- Telescopic Barrel: Fusion Bonded Epoxy coating
- Lower Barrel: Black Bitumen coated



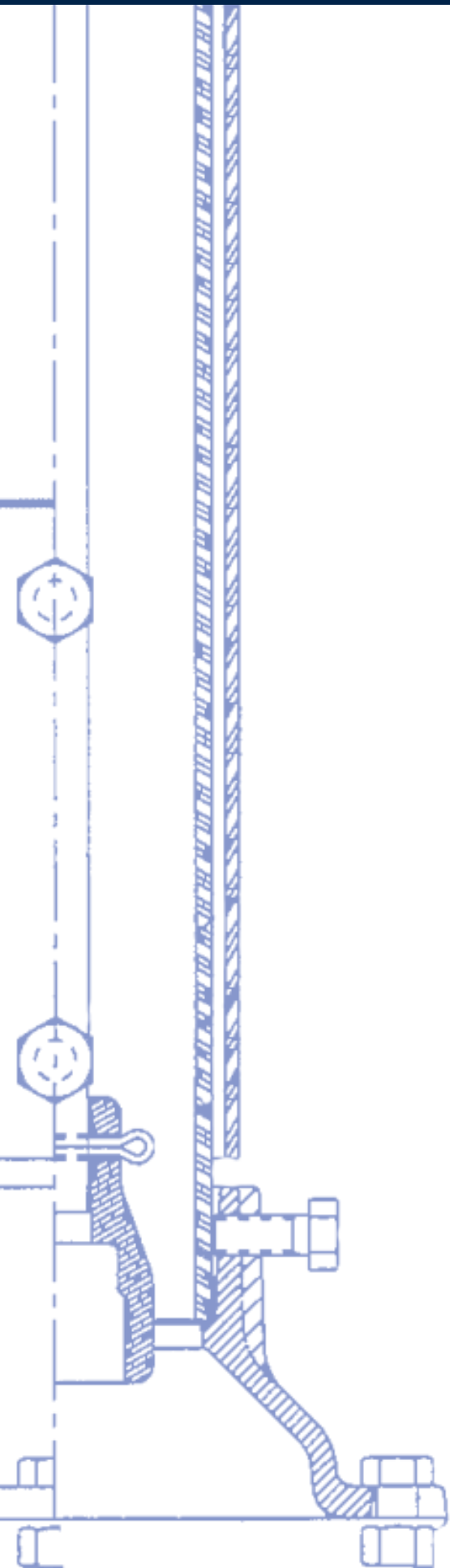
# Indicator Post 2945 / Adjustable and Fixed

Kennedy Valve's Indicator posts provide the reliable way of operating a buried or inaccessible gate valve for opening and closing purposes. The 2945A post has a telescoping barrel and is adjustable to meet various trench depths. The Kennedy Valve indicator post comes with an L shaped handle which can be fitted with a secure lock.



**Indicator Post Parts List**

DET.	QTY.	PART No.	DESCRIPTION	MATERIAL
P-1	1	446127P	Locking Wrench	Cast Iron ASTM A-126 Cl.B
P-2	1	3024872 (4-14")	Operating Nut	Bronze ASTM B584 Alloy 864
P-3	1	442639P	Retainer O-Ring #226	Buna N
P-4	1	3020912	Top Section	Cast Iron ASTM A-125 Cl.B
P-5	2	441980P	Window Glass	Lexan - UV Stabilized
P-6	2	443370P	Open Target Plate	Cast Aluminum
P-7	2	443371P	Shut Target Plate	Cast Aluminum
P-8	1	----	Target Carrier Assembly	----
	1	3005802 (4-14")	Target Carrier Nut	Bronze ASTM B584 Alloy 844
	2	443347P	Target Carrier Plate	1/16 Sheet Metal
	4	440736P	Clamp Target Retainer	16 Ga. 302 S.S.
	8	444171P	#10-24x1/2" Pan Head Taptite	Stainless Steel
P-9	1	443476P	1/2" NPT Pipe Plug	Mall. Iron
P-10	1	440254P	3/8" Eyebolt #23	Forged Steel
P-11A	1	444303P	3/8-16x1" Hex Capscrew (Adj. Post)	Zinc Plated Steel
P-11F	1	444306P	3/8-16x1-1/2" Hex Capscrew (Fixed Post)	Zinc Plated Steel
P-12	1	**	Stem 1" Sq.	AISI M1020 HRS
P-13	1	318035&	Crane Coupling	Cast Iron ASTM A-126 Cl.B
P-14	1	442190P	Cotter Pin	Brass
P-15	2	444342P	3/4" Hex Hd. Screw	Zinc Plated Steel
P-16	1	3004774	Telescoping Barrel	Cast Iron ASTM A-126 Cl.B
P-17	1	**	Lower Standpipe (Adjustable Post)	4" D.I. CI 52 ANSI A21.51
P-18	1	3180402 (3-12")	Base Flange	Cast Iron ASTM A-126 Cl.B
P-19	3	444355P	5/8"x1" Hex Hd. Screw	Zinc Plated Steel
P-20	4	444357P	5/8"x2-1/4" Hex Capscrew	Zinc Plated Steel
P-21	4	442484P	5/8" Hex Nut Heavy	Zinc Plated Steel
P-22	1	**	Standpipe Section (Fixed Post)	4" D.I. CI 52 ANSI A21.51
P-23	1	3004762	Spacer Sleeve (Fixed Post)	5" D.I. CI 52 ANSI A21.51



**Telescoping Barrel 2945A - Trench Depth Limits**

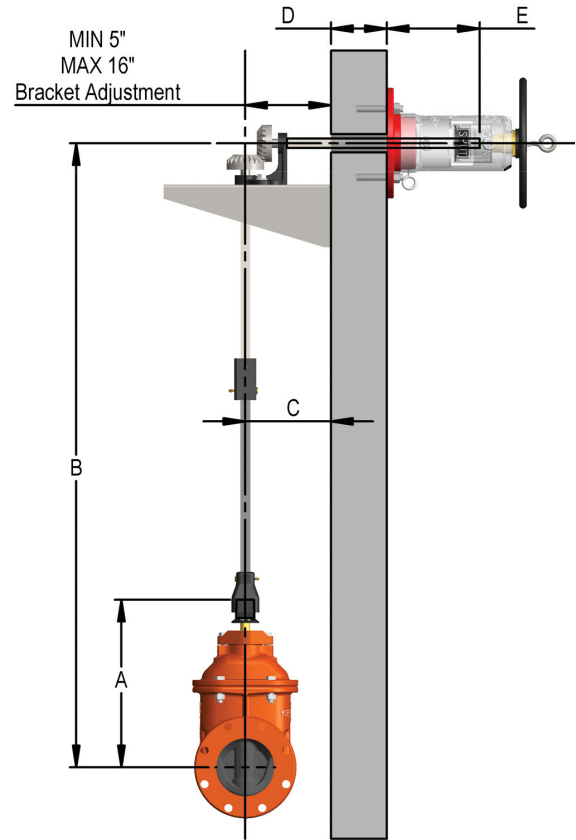
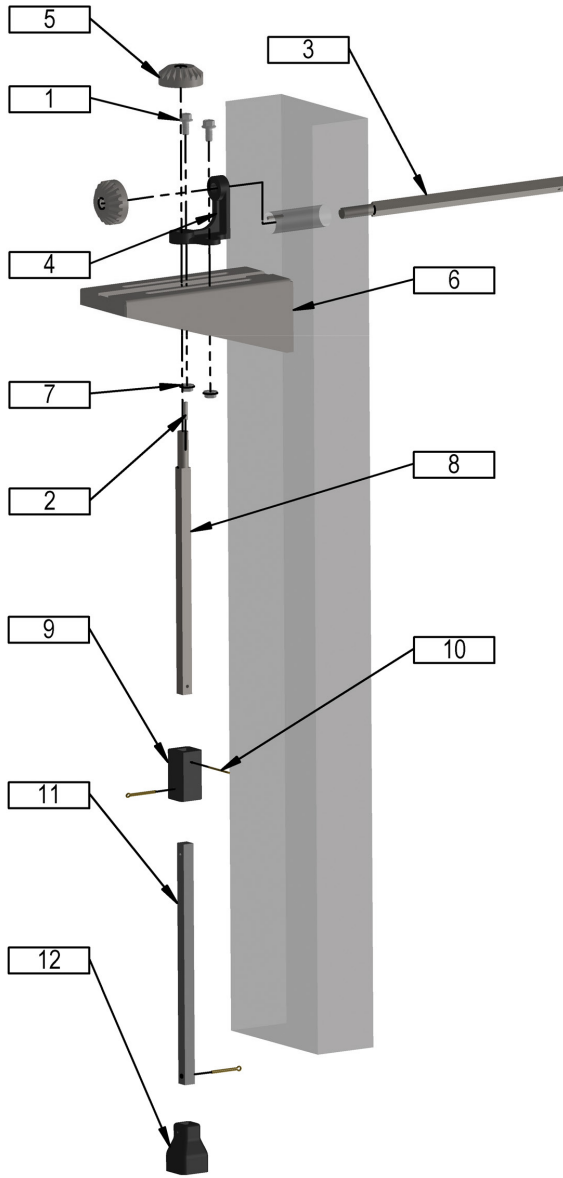
VALVE SIZE	B POST		C POST		D POST		E POST	
	MIN.	MAX.	MIN.	MAX.	MIN.	MAX.	MIN.	MAX.
3"	30	50	48	68	66	86	87	110
4"	31	51	49	69	67	87	88	111
6"	35	55	53	76	71	91	92	115
8"	42	62	60	80	78	98	99	122
10"	45	65	63	83	81	101	102	125
12"	49	69	67	87	85	105	106	129
14" / 16"	58	78	76	96	94	114	115	138
18"	75	95	93	113	111	131	132	155
20"	76	96	94	114	112	132	133	156
24"	84	104	102	122	120	140	141	164

**Part Codes for Indicator Post 2945A**

VALVE SIZE	POST	PART CODE
4" - 12"	B	115000B294201
4" - 12"	C	115000C294201
4" - 12"	D	115000D294201
14" - 16"	B	115880B294316
14" - 16"	C	115880C294316
14" - 16"	D	115880D294316
18" - 24"	B	115880B2945AL
18" - 24"	C	115880C2945AL
18" - 24"	D	115880D2945AL

**Fixed Length Posts 2945 - Maximum Trench Depths**

SIZE	POST SIZE F	POST SIZE G	POST SIZE H
4"	45.5"	63.5"	87.5"
6"	49.5"	67.5"	91.5"
8"	54.5"	72.5"	96.5"
10"	59"	77"	101"
12"	64"	82"	106"
14"	69"	87"	111"



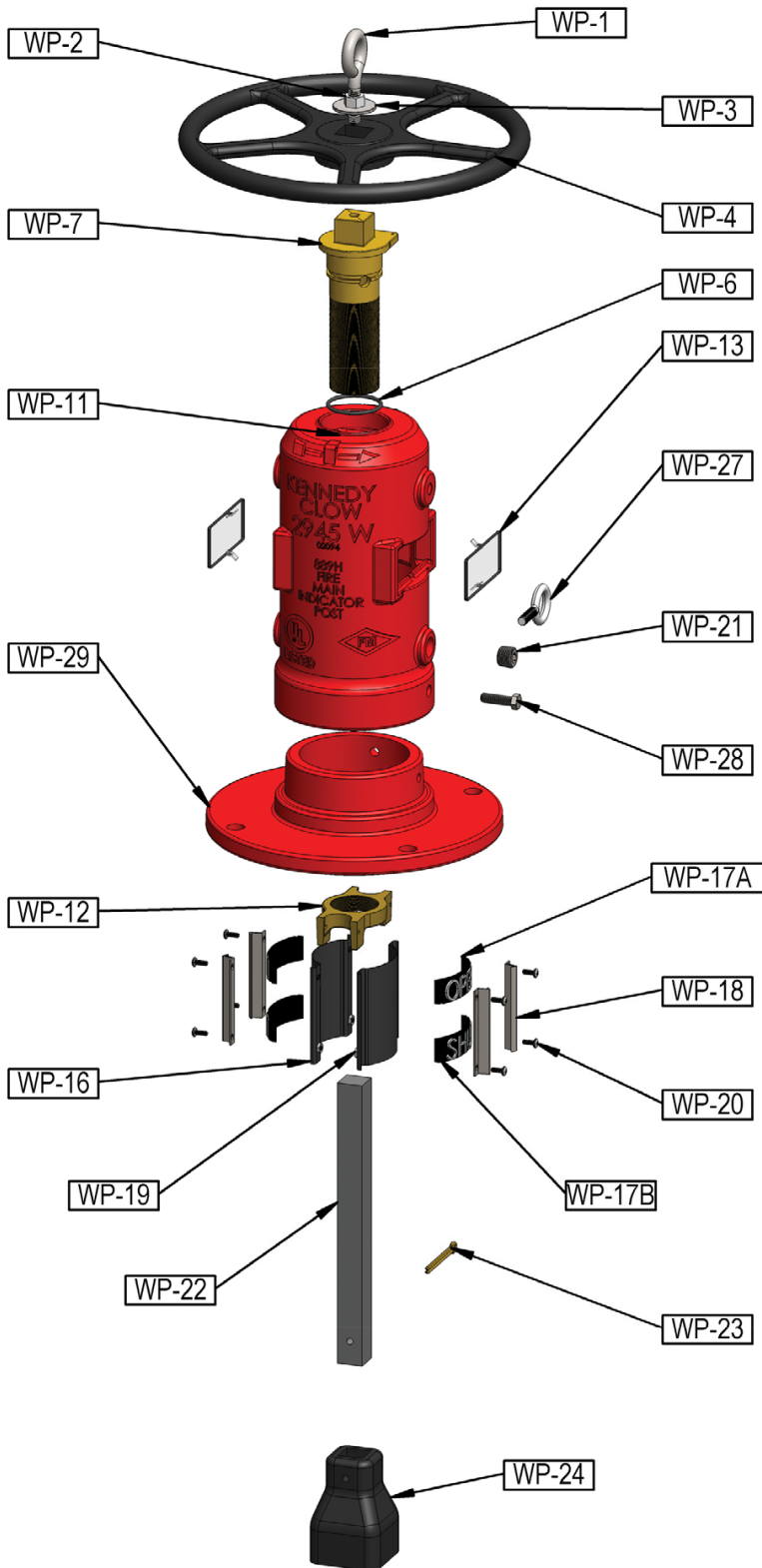
551-Angle Gear Kit to be used with 641-Wall Post.  
Post Only - UL / FM Approved

**PARTS LIST**

NO.	ITEM	QTY	MATERIAL
1	Bolts	2	Zinc Plated Steel
2	Key	2	Steel
3	Stem	1	Cold Rolled Steel
4	Gear Bracket	1	Cast Iron ASTM A126 Class B
5	Angle Gear	2	Cast Steel
6	Wall Bracket	1	Sheet Metal
7	Nuts	2	Zinc Plated Steel
8	Stem	1	Cold Rolled Steel
9	Extension Coupling	1	Cast Iron ASTM A126 Class B
10	Cotter Pin	3	Brass
11	Stem 1" Square	1	AISI M1020
12	Crane Coupling	1	Cast Iron ASTM A126 Class B

MATERIAL	4	6	8	10	12
<b>A</b> Centerline to Coupling	14.75	19	22.50	26.50	30
<b>B</b> Minimum Dimension-Centerline of valve to Centerline of Indicator Post	25	29	32.50	36	40.375
<b>C</b> Minimum Dimension-Centerline of Valve to Wall	7	7	8.375	9.375	10.50
<b>D</b> Wall Thickness (Reference)	6	6	6	6	6
<b>E</b> Minimum Stem Length from Wall	10	10	10	10	10
Stem Length	24	24	24	36	36

**NOTE:** Angle Bracket Kit includes two equal length stems.  
Available kit lengths are 18", 24", 36" and 52"



NO.	ITEM	QTY.	MATERIAL
WP-1	Eyebolt 1/2-UNC 2" LG	1	Steel
WP-2	Nut 1/2-UNC Plated	1	Steel
WP-3	Washer 5/8 Plated	1	Steel
WP-4	Handwheel 14" DIA.	1	Ductile Iron
WP-6	Retainer O-Ring #226	1	Buna
WP-7	Operating Stem Nut	1	Bronze ASTM B584 Alloy 864
WP-11	Top Section	1	Cast Iron ASTM A126 Class B
WP-12	Target Carrier Nut	1	Bronze ASTM B584 Alloy 864
WP-13	Window	2	Lexan-UV Stabilized
WP-16	Target Carrier Plate	2	1/16" Sheet Metal
WP-17A	Open Target Plate	2	Cast Aluminum
WP-17B	Shut Target Plate	2	Cast Aluminum
WP-18	Clamp Target Retainer	4	16. GA 302 SS
WP-19	#10-24 Hex Nut	4	Zinc Plated
WP-20	#10-24x1/2" Pan Head Screw	8	Zinc Plated
WP-21	Pipe Plug 1/2" NPT	1	Mall. Iron
WP-22	Stem 1" Square	1	AISI M1020 HRS
WP-23	Cotter Pin	1	Brass
WP-24	Crane Coupling	1	Cast Iron ASTM A126 Class B
WP-27	3/8" Eyebolt #23	1	Forged Steel
WP-28	3/8-16x1" Hex Capscrew	1	Zinc Plated Steel
WP-29	Base Flange	1	Cast Iron ASTM A126 Class B



**KENNEDY VALVE**

## **ORDERING INFORMATION**

**PH:** 800-782-5831  
607-734-2211  
**FAX:** 800-952-4771

[SALES@KENNEDYVALVE.COM](mailto:SALES@KENNEDYVALVE.COM)  
[WWW.KENNEDYVALVE.COM](http://WWW.KENNEDYVALVE.COM)

## **KENNEDY VALVE**

1021 E. WATER ST.  
ELMIRA, NY  
14902-1516

Kennedy Valve began operations in 1877 in Lower Manhattan, N.Y. In 1890, the operation was moved to Cossackie, and then in 1907, Kennedy Valve moved to Elmira, N.Y., where it remains a cornerstone of the community.

In the 135 plus years since its founding, Kennedy Valve has expanded to be a full-line waterworks valve and hydrant manufacturer, supplying resilient seated gate valves, fire hydrants, check valves, butterfly valves, indicator posts, grooved butterfly valves and an assortment of related products and appurtenances.

Kennedy Valve and its employees are dedicated to supplying quality products that meet or exceed current specifications to ensure customer satisfaction. We pride ourselves on being easy to do business with and providing superior customer service backed by knowledgeable and courteous employees.

Kennedy Valve products stand the test of time in reliability. Our goal is to supply the highest quality products with the shortest lead times at a competitive price, while at the same time remaining a good steward of the environment and maintaining a safe workplace for our most valued asset, Kennedy Valve's employees.



For Generations