



KENNEDY VALVE

# FLOOR RELIEF VALVES

## CERTIFICATIONS

ISO 9001

ISO 14001

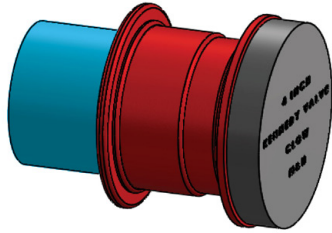
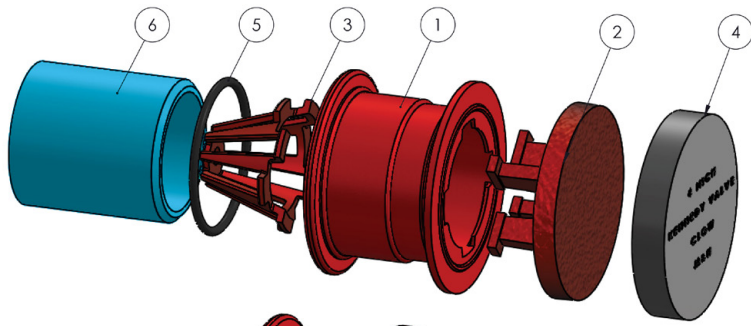
BS OHSAS 18001

**\*\*PATENT PENDING\*\***

FLOOR TYPE PRESSURE RELIEF VALVES ARE CAST IN THE BOTTOM OF TANKS OF TREATMENT PLANTS TO KEEP EMPTY TANKS FROM FLOATING FROM ELEVATED GROUNDWATER BENEATH THEM.

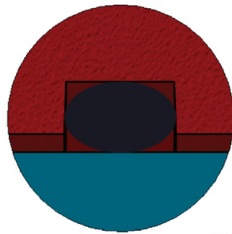


[WWW.KENNEDYVALVE.COM](http://WWW.KENNEDYVALVE.COM)

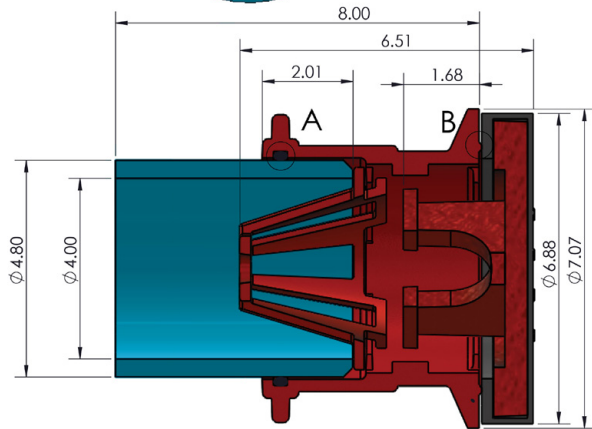
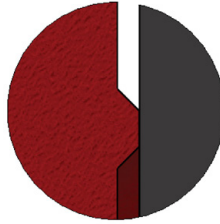


PVC PIPE LENGTH IS OPTIONAL TO OBTAIN EITHER THE STANDARD 8 INCH PIPE-TO-BODY LENGTH OR 12, 18, AND 24 INCH PIPE-TO-BODY LENGTH.

DETAIL A  
SCALE 4 : 1



DETAIL B  
SCALE 4 : 1



## FEATURES

- 1 | Stainless Steel Seat in Body
- 2 | Rubber Boot Seal Cover
- 3 | Covered Grate = 100% Flow Area  
*(full grates reduce flow area)*
- 4 | Extendable with PVC
- 5 | Integral Cast Water Stop
- 6 | Increases the Efficiency of its Application

ASSEMBLY ITEM No.	DESCRIPTION	MATERIAL
1	Body	Ductile Iron
2	Cover	Ductile Iron
3	Grate	Ductile Iron
4	Rubber Boot	Rubber
5	O-ring	Rubber
6	PVC Pipe	Plastic



**KENNEDY VALVE**

## ORDERING INFORMATION

PH: 800-782-5831  
607-734-2211  
FAX: 800-952-4771

SALES@KENNEDYVALVE.COM  
WWW.KENNEDYVALVE.COM

## KENNEDY VALVE

1021 E. WATER ST.  
ELMIRA, NY  
14902-1516



For Generations