

# AWWA SWING CHECK VALVE

## SIZES 2"-36" AWWA C508 SWING CHECK DESIGN

Our AWWA Swing Check Valves are designed and manufactured in conformance with the latest revision of AWWA Standard C508. Well proportioned and sturdily constructed, they provide the ideal answer wherever swing check valves are needed in water and wastewater treatment plants.

### STANDARD FEATURES

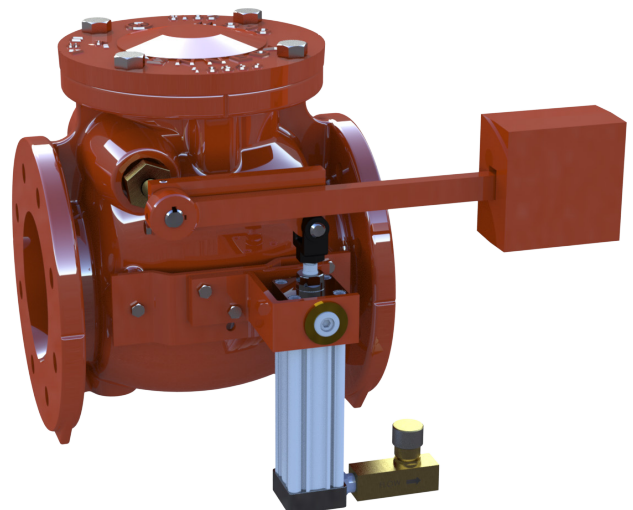
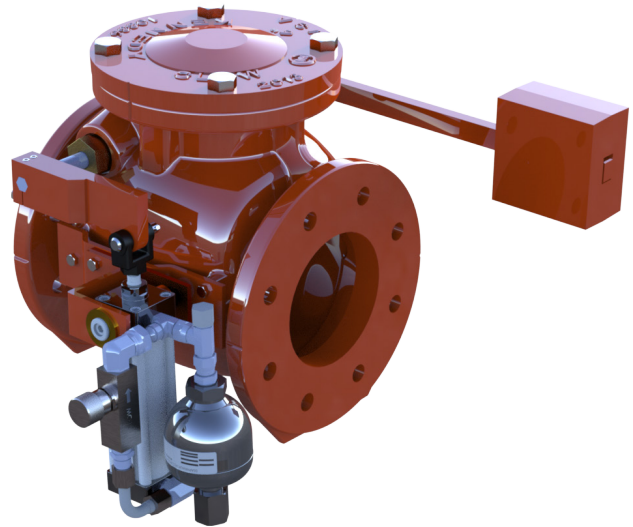
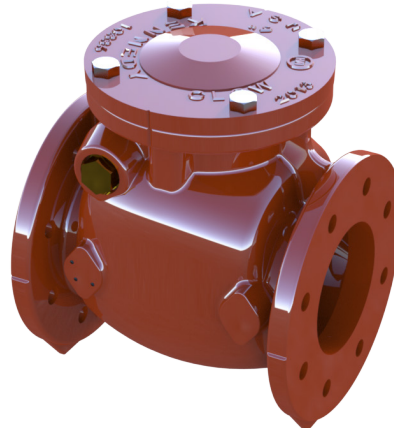
- **Sizes:** 2" - 36"
- Size 30" - 36" valves come standard with Double Lever Arms
- Bronze or resilient seated
- Working Parts removable through top of valve for ease of maintenance
- Stainless steel hinge pin
- NSF/ANSI 61/372 Certified
- Fusion Bonded Epoxy Coated

### OPTIONS

- Optional Double Lever Arms on sizes 2" - 24"
- Plain / Gravity operated
- Lever Arm and Weight
- Lever Arm and Spring
- Air and Oil cylinders for additional control
- Tapped bosses available for drainage or by-pass

### ADDITIONAL FEATURES

- ANSI B16 125# flange connection
- Sizes 2"-12" 200 psi rated working pressure
- Sizes 14"-36" 150 psi rated working pressure
- Full waterway flow through the valve equal to nominal diameter of the pipe
- Horizontal or vertical (flow up) installation
- Field adjustable to best adapt to operating conditions
- Dual lever arms available for extreme rapid flow reversal applications



# AWWA SWING CHECK VALVE

## SIZES 2"-36" AWWA C508 SWING CHECK DESIGN

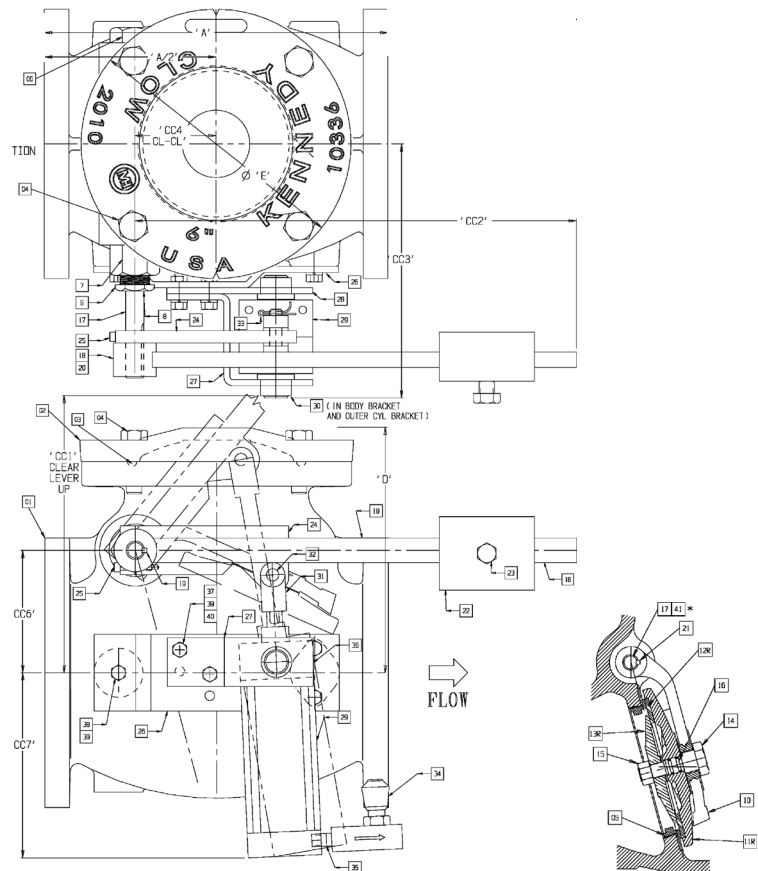
### 2"-12" SWING CHECK VALVES PARTS & DIMENSIONS

PARTS LIST		
No.	PART	MATERIAL & ASTM DESIG.
1A	Side Plug	Bronze B371 C69300
2A	Hex Bolt	SS18-8
3A	O-ring Seal Cover to Body	Buna-N
4A	Check Valve Cap	Gray, Cast Iron ASTM A 126B
5A	Body	Gray, Cast Iron
7A	Hinge	Bronze (2"-3")/D.I. (4"-12")
8AA	Disc Bolt - Fig. 1106 (Metal to Metal)	Steel (4"-8") / Bronze (10" & 12")
8AB	Disc Bolt - Fig. 1106A (Resilient)	Bronze (4"-12")
9AA	Disc Bolt O-ring	Buna-N (10" & 12")
9AB	Disc Bolt Gasket	Fibre (4"-8")
10A	Disc Holder - Fig. 1106A	Gray, Cast Iron (4"-12", exc. 8")
10A	Disc Holder with Integral Bolt	Bronze (2"-3")
11A	Disc Plate - Fig. 1106A	Bronze
12AA	Replacable Rubber Disc - Fig. 1106A	Rubber
12AB	Disc with Integral Bronze Ring - Fig. 1106	Gray, Cast Iron (4"-12")
12AB	Disc with Integral Bolt and Ring - Fig. 1106	Bronze (2"-3")
13A1	Hex Nut-Disc - Fig. 1106	SS18-8 (2"-12")
13A2	Hex Nut-Disc Holder - Fig. 1106A	SS18-8 (2"-3")
14AA	Disc Ring Integral with Disc - Fig. 1106	Bronze (4"12")
15A	Seat Ring	Bronze B584 C89833 / C87850
17	Hinge Pin	Stainless Steel SS A-276 (304)
17A	Hinge Pin	Stainless Steel SS A-276 (304)
18A	Key	---
22A	Set Screw for Weight	Steel, Plated A307
23A	Weight	Gray Iron A1258
24A	Side Plug Stuffing Box	Bronze B371 C69300
25A	Packing	Non-Asbestos
26A	Gland	Stainless Steel B371 C69300
28A	Lever Set Screw	Steel
29A	Washers	Stainless Steel

LEVER & WEIGHT PARTS LIST		
17A	Hinge Pin	Stainless Steel SS A-276 (304)
18A	Key	---
22A	Set Screw for Weight	Steel, Plated A307
23A	Weight	Gray Iron A1258
24A	Side Plug Stuffing Box	Bronze B371 C69300
25A	Packing	Non-Asbestos
26A	Gland	Stainless Steel B371 C69300
28A	Lever Set Screw	Steel
29A	Washers	Stainless Steel

LEVER & WEIGHT - DIMENSIONS									
	DA	FLG	FLG	DA	COVER	LEVER	CL to	PIN	WALL
	LG	THK	DD	HT	DD	LG	PIN END	DIA	THK
SIZE	A	B	C	D	E	F	G	H	J
2	8	0.66	6	6	6	6	4.72	0.50	0.34
2 ½	8.5	0.72	7	6.44	7	6	4.94	0.50	0.41
3	9.5	0.78	7.5	6.85	7.5	6	5.35	0.50	0.44
4	11.5	1.00	9	8.69	9	7.75	8.19	0.63	0.50
6	14	1.06	11	10.51	11	9.75	9	0.75	0.62
8	19.5	1.25	13.5	12.56	13.5	14.13	10.19	0.88	0.75
10	24.5	1.31	16	14.07	16.75	18	11.63	1.00	0.81
12	27.5	1.38	19	16.13	19	18	13.75	1.00	0.88

Drawings for other options can be found on our website at [www.kennedyvalve.com](http://www.kennedyvalve.com)

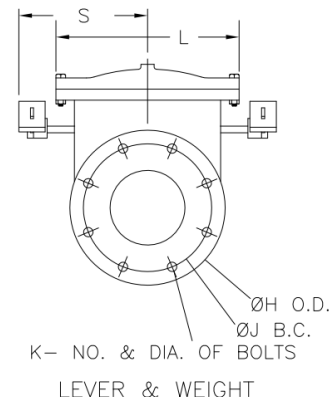
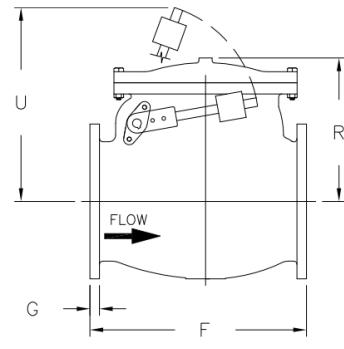
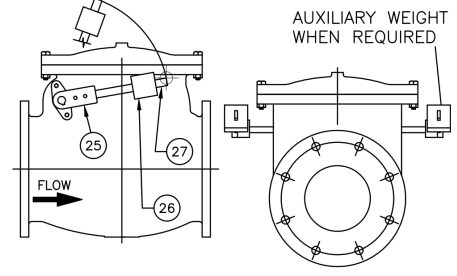
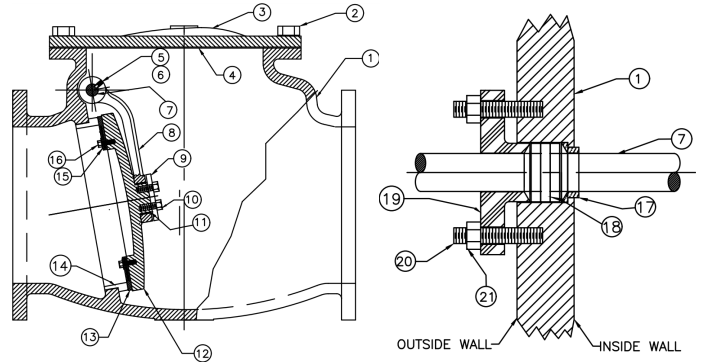


# AWWA SWING CHECK VALVE

SIZES 2"-36" AWWA C508 SWING CHECK DESIGN

## 14"-36" SWING CHECK VALVES PARTS & DIMENSIONS

PARTS LIST		
PART No.	PART	MATERIAL & ASTM DESIGNATION
1	Body - F.E.	Ductile Iron A536 65-45-12 or 70-50-05
2	Cover Bolts	ASTM A-307 Gr. B or A EZ Plated
3	Cover	Ductile Iron A536 65-45-12 or 70-50-05
4	Cover O-ring	Buna-N Durometer 70 Approved
5	Clapper Arm Key	304 Stainless Steel
6	Set Screw	Alloy Steel (RC 45-63)
7	Hinge Pin	Stainless Steel ASTM A-276 Yupe 303
8	Clapper Arm	Ductile Iron A536 65-45-12 or 70-50-05
9	Clapper Cap Plate	304 Stainless Steel
10	Hex Bolt Cap Plate	18-8 Stainless Steel
11	Clapper Arm Bushing	Brass C26000
12	Clapper	Ductile Iron A536 65-45-12 or 70-50-05
13	Encapsulated Rubber Clamp Ring	Buna-N Durometer 70 Approved
14	Body Ring	Bronze Alloy C89836
15	Washer, Flat	18-8 Stainless Steel
16	Hex Bolt Clamp Ring	18-8 Stainless Steel
17	Stuffing Box Bushing	Bronze Alloy C89850
18	Packing	Multi-Lock Braid Style ML2254 PTFE
19	Stuffing Box Gland	Ductile Iron A536 65-45-12 or 70-50-05
20	Stud	Steel ASTM A307, EZ Plated
21	Hex Nut	18-8 Stainless Steel
25	Weight Lever Arm	Ductile Iron
26	Weight	Fab. Steel
27	Weight Arm Bar	CR Steel C-1018/1020



DIMENSIONS							
SIZE	14	16	18	20	24	30	36
F	31	36	40	40	48	49 1/2	63
G	1 3/8	1 7/16	1 9/16	1 11/16	1 7/8	2 1/8	2 3/8
H	21	23 1/2	25	27 1/2	32	38 3/4	46
J	18 3/4	21 1/4	22 3/4	25	29 1/2	36	42 3/4
K	12-1	16-1	16-1 1/8	20-1 1/8	20-1 1/4	28-1 1/4	32-1 1/2
L	22 3/8	25 3/4	27 1/2	32	34 3/8	41	47
R	18 3/4	19 1/16	25	24 1/2	24 11/16	28	34
S	19	19 1/2	20 3/4	22 1/2	27 3/8	29 3/8	35
U	32 1/2	34 1/2	40	42	54 1/2	57 1/2	
WEIGHT	1130	1530	1903	2383	3298	5550	

Drawings for other options can be found on our website at [www.kennedyvalve.com](http://www.kennedyvalve.com)