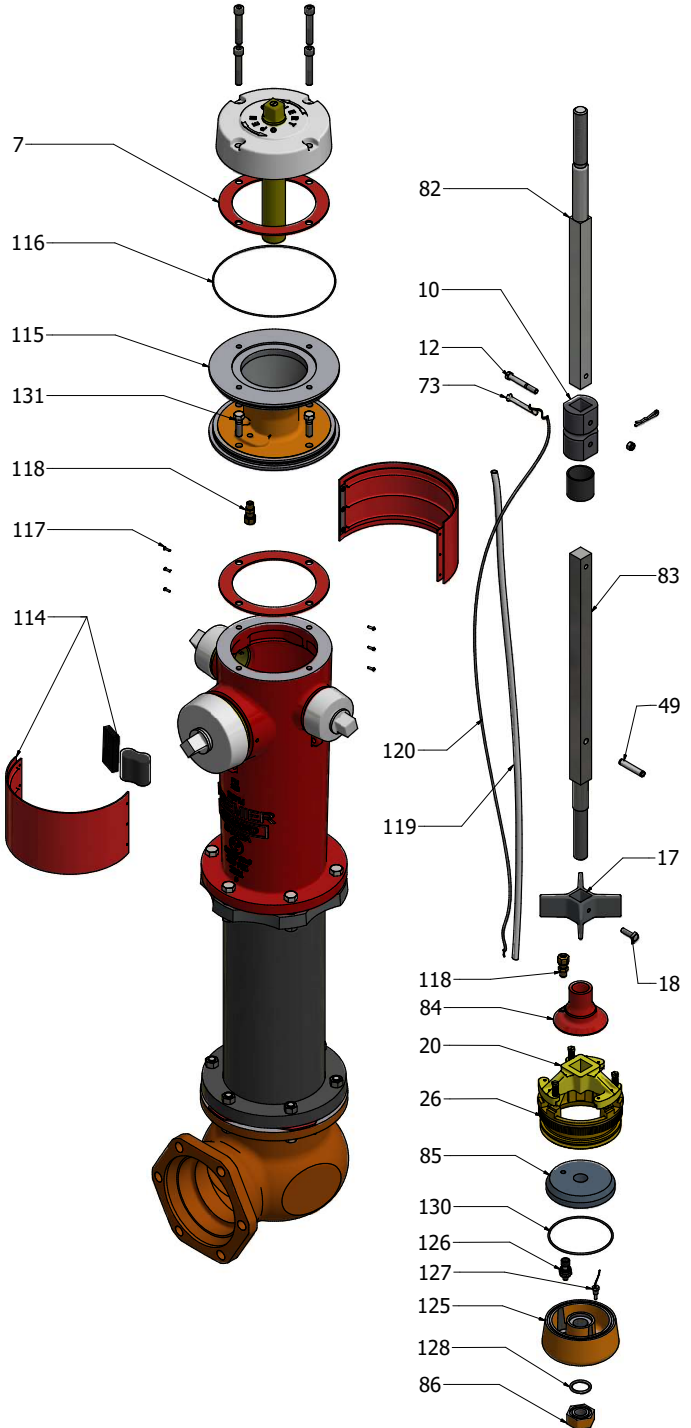
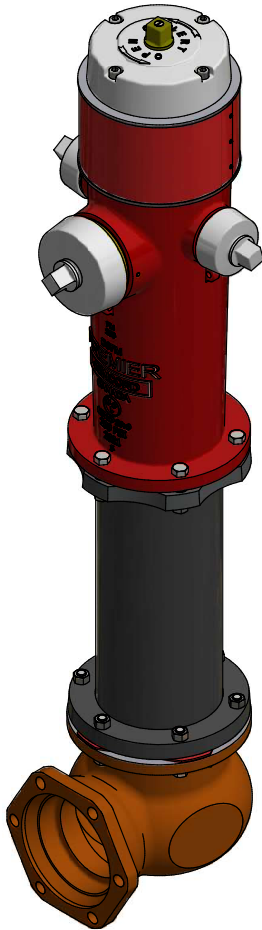


iHydrant



REF.	DESCRIPTION
7	BONNET GASKET
10	BREAKING COUPLING
12	HEX HEAD BOLT & NUT 3/8" x 3" (COUPLING)
17	STEM GUIDE
18	STEM GUIDE SET SCREW
20	DRAIN VALVE TRIPOD
26	VALVE SEAT
49	SPROL PIN HEAVY DUTY
73	COUPLING CLEVIS BOLT AND PIN
82	D67M-P I-HYDRANT UPPER STEM
83	D67M-P I-HYDRANT LOWER STEM
84	D67M-P I-HYDRANT VALVE CARRIER
85	D67M-P MAIN VALVE DISC FOR I-HYDRANT
86	D67M-P LOWER VALVE PLATE LOCKNUT
114	WEATHER GUARD CW ELECTRONICS & BATTERY
115	SPOOL PIECE
116	SPOOL PIECE O RING
117	TORX SAFETY SCREW
118	COMPRESSION FITTING
119	RIGID WIRE TUBE
120	WIRE HARNESS
125	M67B/D67M-P LOWER VALVE PLATE FOR I-HYDRANT
126	PRESSURE SENSOR
127	TEMPERATURE SENSOR
128	LOWER VALVE PLATE LOCKNUT O RING
130	M67B/D67M-P LOWER VALVE PLATE O RING I-HYDRANT
131	SPOOL PIECE TO BODY HEX BOLT
132	LOWER STEM SHRINK TUBE

