



**KENNEDY VALVE KS-FW
RESILIENT
WEDGE VALVES**

KENNEDY VALVE

**KENNEDY VALVE AWWA C509 Resilient Wedge Gate Valves
Meet or Exceed the Requirements of
AWWA Standard C509
UL-262/FM-1120/1130
ULC-Underwriters' of Canada**

Size Range	Water Working Pressure psi	Seat Test psi	Hydrostatic Shell Test psi
AWWA 2"-12"	250 Water Works	250 & 400	500
ULFM 2"-12"	200 Fire Protection	250 & 400	500

Available in either non-rising stem or outside screw & yoke.

Available End Connections & Size Range	Figure No.	Figure No. with (STD)	Post Plate
Flg. End (NRS)	2" - 12"	8561ASS	8701ASS(3"-12")
M.J.	2" - 12" (except 2 1/2")	8571SS	8071SS(3"-12")
Flg. & M.J.	3" - 12"	8572SS	8702SS(3"-12")
Push-on for PVC (SDR)	2" - 8"	8597SS	8597PSS(3"-8")
Flg. End (OS & Y)	2" - 12"	8068A	N/A
M.J. for Tapping	4" - 12"	8950SS	8950PSS
Push-on for D.I. & C900 PVC	4" - 12"	8901SS	8901PSS
M.J. Cutting-in	4" - 12"	8576SS	8576PSS
Push-on D.I. X Flg.	4" - 12"	8902SS	8902PSS
Threaded	2" - 3"	8057SS	8057PSS(3"only)
Threaded (OS&Y)	2" - 3"	8067SS	N/A

Accessories

- | | |
|-------------------------------|-----------------|
| Indicator Posts | Handwheels |
| "T" Handles | Extension Stems |
| Stem Guides | Floor Boxes |
| 2" Sq. Operating Nuts | Chain Wheels |
| Floorstands (non-rising stem) | |

NOTE: 2" OS&Y Flanged and Threaded versions are UL Listed



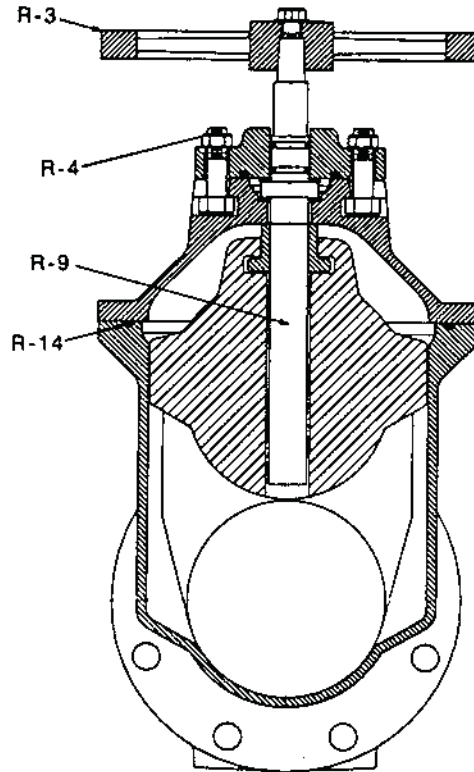
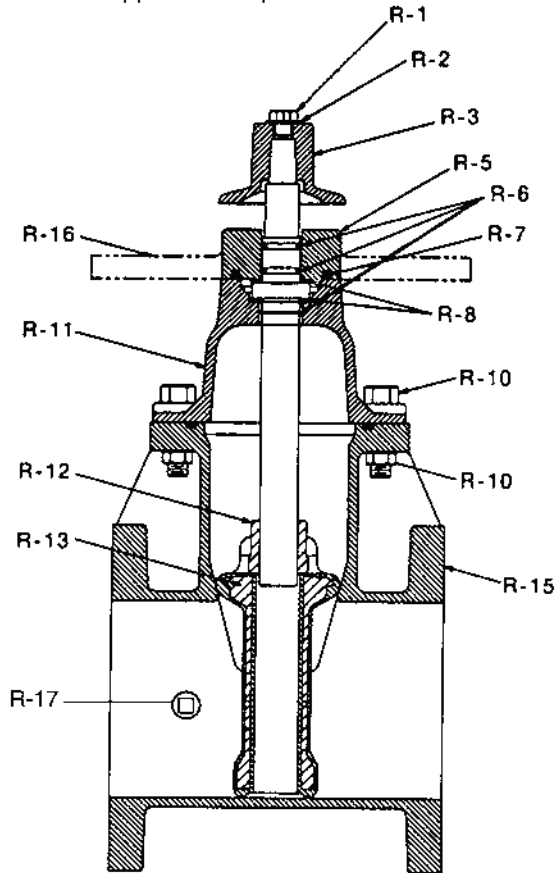
Sizes 2" - 12"



**RESILIENT SEAT GATE VALVE
N.R.S. ASSEMBLY
KS-FW**

KENNEDY VALVE MODEL KS-FW

Complies with applicable requirements of AWWA C509



PIPE PLUG STANDARD ON FLANGE & GROOVE VALVES @ POSITION "A"

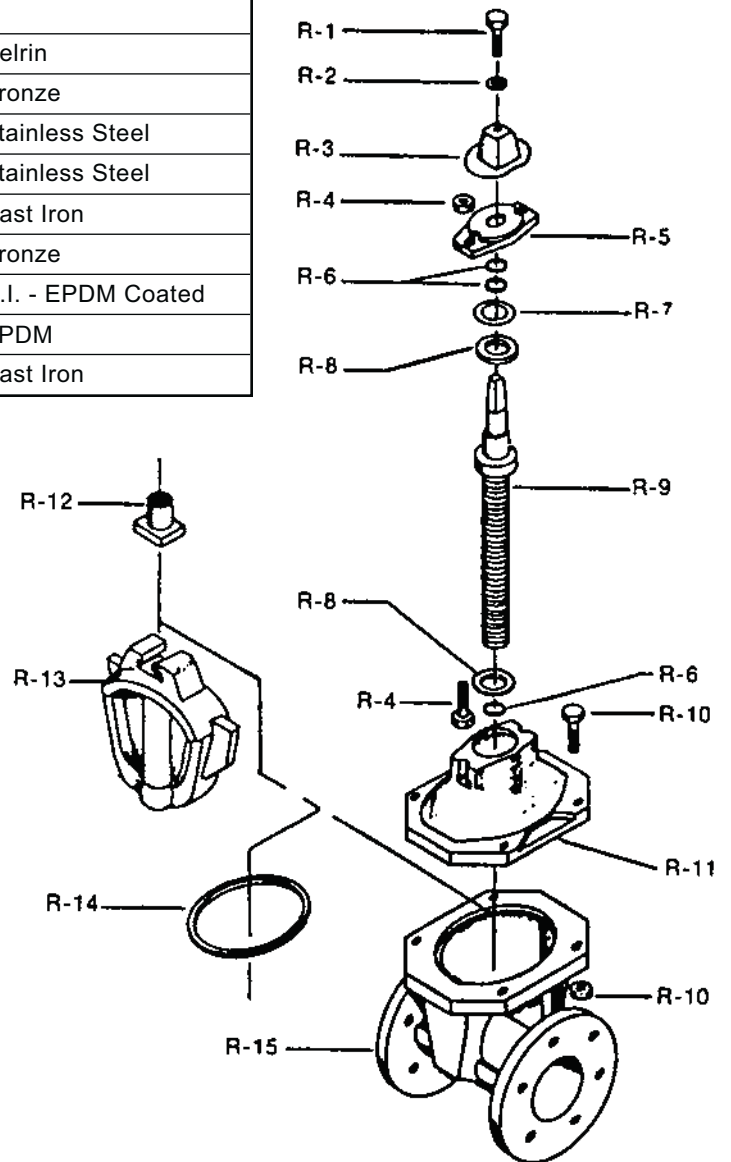
DET.	NAME OF PART	MATERIAL	ASTM SPEC.	
R-1	Hex Head Bolt	Stainless Steel	ASTM F593C	
R-2	Flat Washer	Zinc Plated Steel	ASTM A307	
R-3	Operating Nut	Cast Iron	ASTM A126 Class B	
	Handwheel	Cast Iron	ASTM A126 Class B	
R-4	Hex Bolt & Nut	Stainless Steel	ASTM F593C/F594	
R-5	Stuffing Box	2" thru 8"	Cast Iron	ASTM A126 Class B
		10" and 12"	Ductile Iron	ASTM A536 Grade 70-50-5
R-6	O-Ring (Stem)	EPDM	-----	
R-7	O-Ring (Stuffing Box)	EPDM	-----	
R-8	Thrust Washer	Delrin	-----	
R-9	Stem	Bronze	ASTM B584 C86700	
R-10	Hex Head Cover Bolts & Nuts	Stainless Steel	ASTM F593C/F594	
R-11	Cover	Cast Iron	ASTM A126 Class B	
R-12	Stem Nut	Bronze (NDZ)	ASTM B763 C99500	
R-13	Wedge (EPDM Encapsulated)	Ductile Iron	ASTM A536 Grade 70-50-5	
R-14	O-Ring (Cover)	EPDM	-----	
R-15	Body (All Types)	Cast Iron	ASTM A126 Class B	
R-16	Plate	Cast Iron	ASTM A126 Class B	
R-17	Pipe Plug: 1/2"; 2 1/2"-4"--3/4"; 6'-12"	Galvanized Steel	-----	



2" - 12" GATE VALVE NRS ASSEMBLY EXPLOSION

KENNEDY VALVE MODEL KS-FW

DET.	QTY.	DESCRIPTION	MATERIALS
R-1	1	Hold Down Hex Bolt	Stainless Steel
R-2	1	Hold Down Bolt Washer	Zinc Plated Steel
R-3	1	Sq. Operating Nut OR Handwheel (Not Shown)	Cast Iron
R-4	2	Bolt & Nut (Stuffing Box)	Stainless Steel
R-5	1	Stuffing Box (10" & 12" D.I.)	Cast Iron
R-6	3	O-Ring (Stem) 1 Below Collar	EPDM
R-7	1	O-Ring (Stuffing Box)	EPDM
R-8	1	Thrust Washer (Sizes 2"-2 1/2")	
	2	Thrust Washer (Sizes 3" thru 12")	Delrin
R-9	1	Stem	Bronze
R-10	4	Cover Bolts & Nuts (Sizes 2" thru 6")	Stainless Steel
	8	Cover Bolts & Nuts (Sizes 8" thru 12")	Stainless Steel
R-11	1	Cover	Cast Iron
R-12	1	Stem Nut	Bronze
R-13	1	Wedge Disc	D.I. - EPDM Coated
R-14	1	O-Ring (Cover)	EPDM
R-15	1	Body	Cast Iron

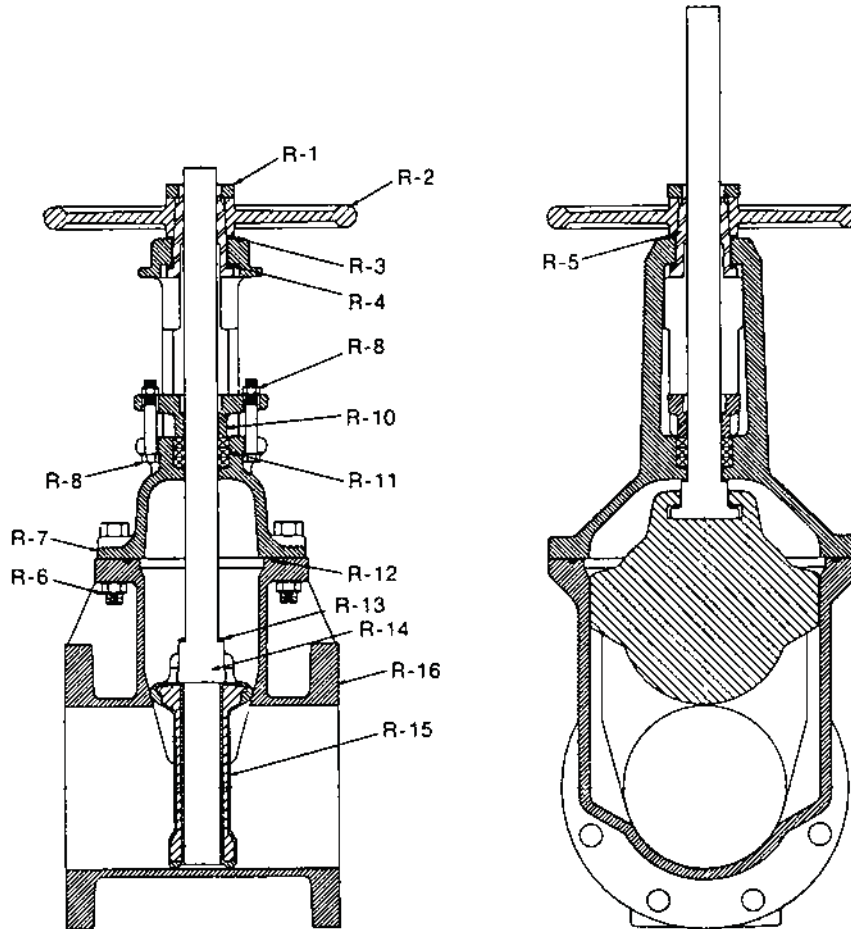




**2"-12" R/S VALVE
OS&Y MATERIAL LIST**

KENNEDY VALVE MODEL KS-FW

Complies with applicable requirements of AWWA C509



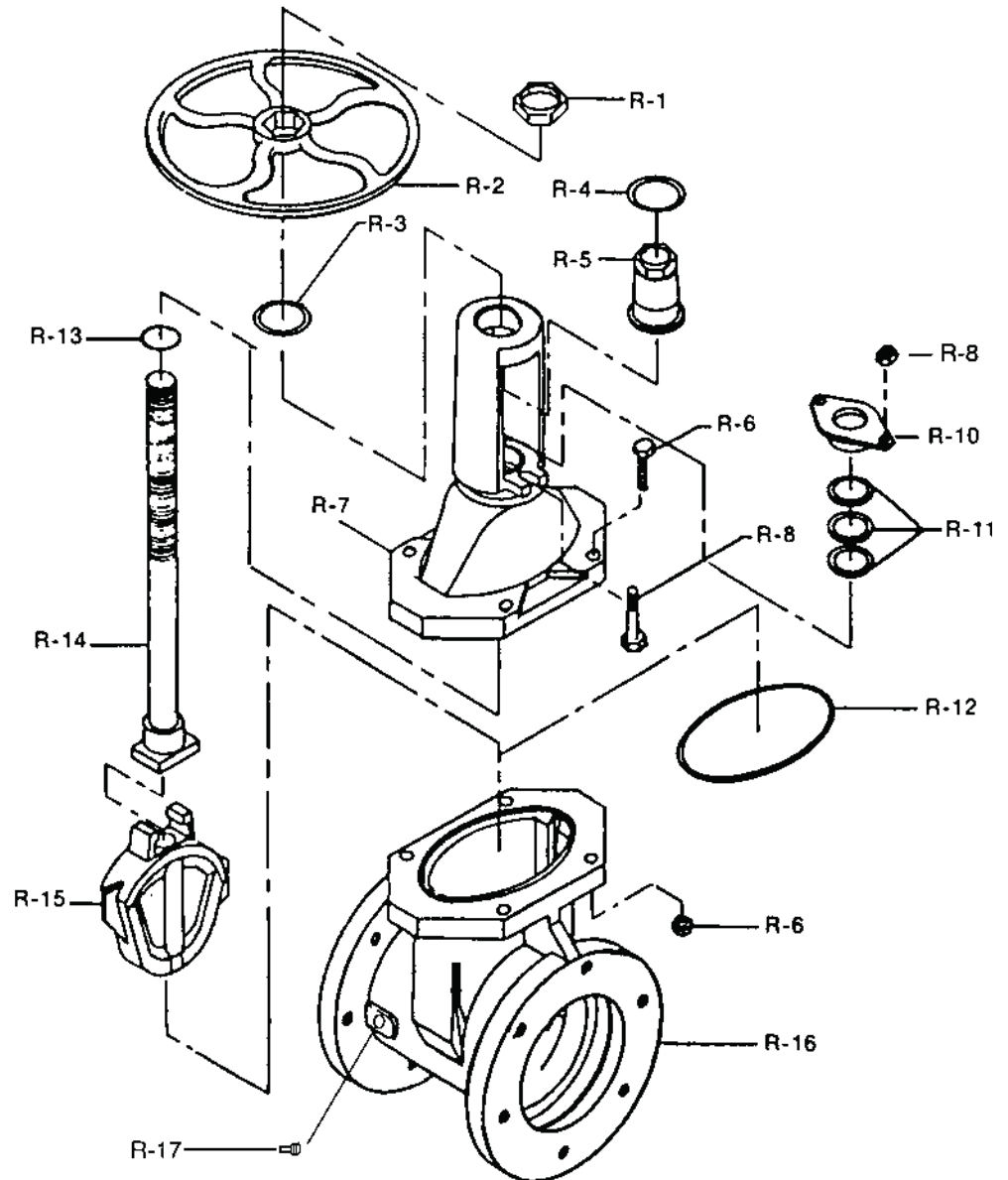
PIPE PLUG STANDARD ON FLANGE & GROOVE VALVES @ POSITION "A"

DET.	NAME OF PART	MATERIAL	ASTM SPEC.
R-1	Handwheel Nut	Bronze (AWWA Grade A)	ASTM B584 C84400
R-2	Handwheel	Cast Iron	ASTM A126 Class B
R-3	Upper Thrust Washer	Brass	ASTM B36 C26000
R-4	Lower Thrust Washer	Nylatron	-----
R-5	Yoke Nut	Bronze	ASTM B584 C86700
R-6	Hex. Head Cover Bolts & Nuts	Zinc Plated Steel	ASTM A307/A563
R-7	Cover	Cast Iron	ASTM A126 Class B
R-8	Packing Bolts	Zinc Plated Steel	ASTM A307
R-8	Packing Bolt Nuts	Brass	ASTM F467
R-10	Packing Gland	Ductile Iron	ASTM A536 Grade 70-50-5
R-11	Packing	Sq. Braided Non-Asbestos	-----
R-12	O-Ring (Cover)	EPDM	-----
R-13	O-Ring (Stem)	EPDM	-----
R-14	Stem	Stainless Steel	ASTM A276 Type 304
R-15	Wedge (EPDM Encapsulated)	Ductile Iron	ASTM A536 Grade 70-50-5
R-16	Body (All Types)	Cast Iron	ASTM 126 Class B
R-17	Pipe Plug: 1/2"; 2 1/2"-4"--3/4"; 6'-12"	Galvanized Steel	-----

2" - 12" R/S GATE VALVE OS&Y ASSEMBLY EXPLOSION

KENNEDY VALVE MODEL KS-FW

DET.	QTY.	DESCRIPTION	MATERIALS
R-1	1	Handwheel Hold Down Nut	Bronze
R-2	1	Handwheel	Cast Iron
R-3	1	Upper Thrust Washer (Sizes 3" thru 12")	Bronze
R-4	1	Lower Thrust Washer	Bronze
R-5	1	Yoke Nut	Bronze
R-6	4	Cover Bolts & Nuts (Sizes 2-1/2" thru 6")	Zinc Plated Steel
R-6	8	Cover Bolts & Nuts (Sizes 8" thru 12")	Zinc Plated Steel
R-7	1	Cover	Cast Iron
R-8	2	Packing Bolts	Zinc Plated Steel
R-8	2	Packing Bolt Nuts	Brass
R-10	1	Packing Gland	Ductile Iron
R-11		Packing	Sq. Braided Polymer
R-12	1	O-Ring (Cover)	EPDM
R-13	1	O-Ring (Stem)	EPDM
R-14	1	Stem	Stainless
R-15	1	Wedge Disc	D.I. - EPDM Coated
R-16	1	Body	Cast Iron
R-17	1	Pipe Plug	Galvanized Steel





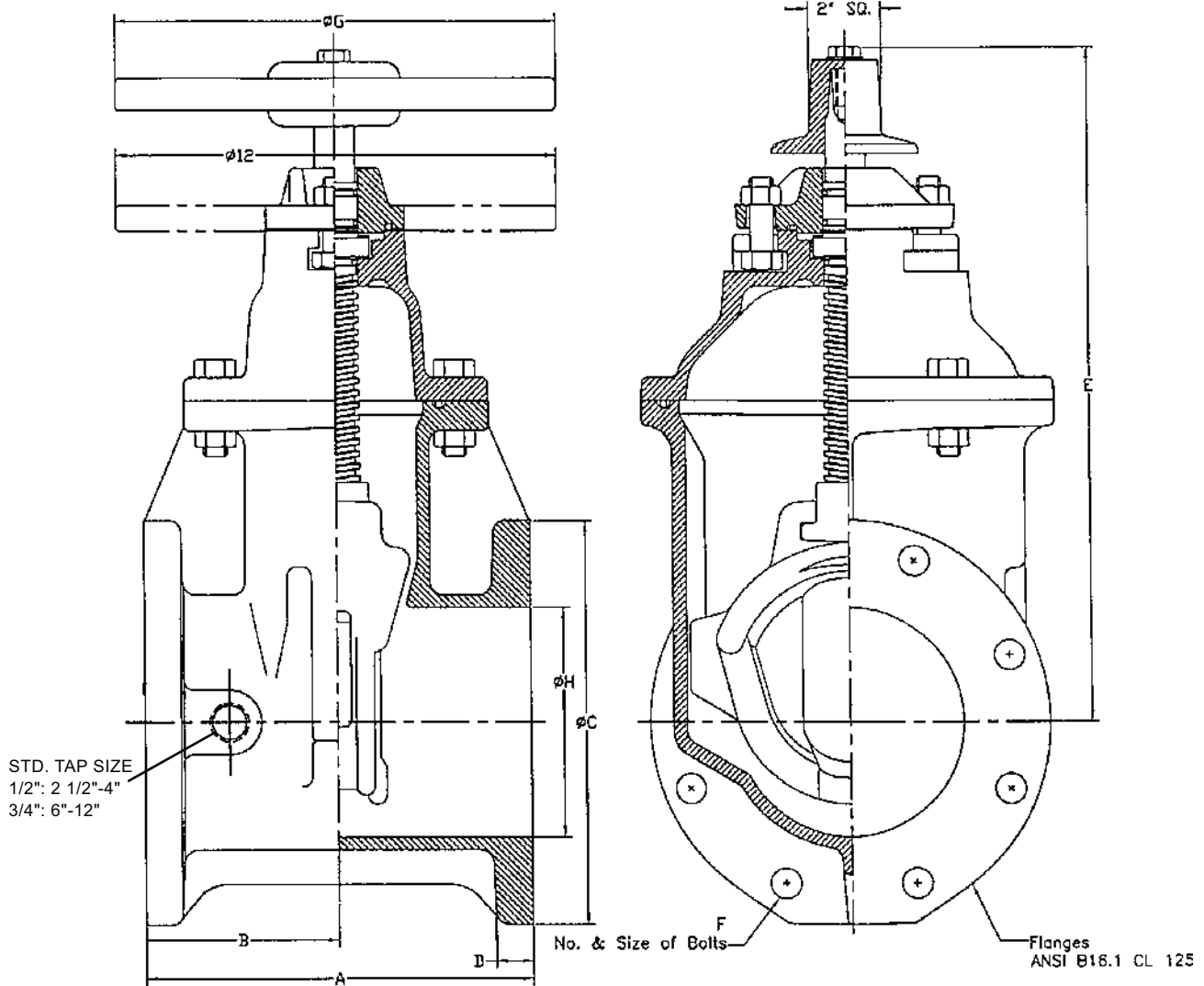
**2" - 12" R/S VALVE NRS FLANGED ENDS
GENERAL DIMENSIONS**

KENNEDY VALVE MODEL KS-FW

Complies with applicable requirements of AWWA C509

*Face to face dimensions conform to ASME B16.10

8561ASS W/HANDWHEEL
8561ANSS W/NUT
8701ASS W/POST PLATE (3-12")



ALL FLANGE VALVES TAPPED & PLUGGED @ POSITION "A"

VALVE SIZE	* A	B	C	D	E	F	G	H	WEIGHT*
2	7	3 1/2	6	11/16	10 7/8	4 5/8	7 1/4	2	41
2 1/2	7 1/2	3 3/4	7	11/16	11 3/8	4 5/8	7 1/4	2 1/2	49
3	8	4	7 1/2	3/4	12 3/8	4 5/8	10	3	62
4	9	4 1/2	9	15/16	14 3/4	8 5/8	10	4 1/4	99
6	10 1/2	5 1/4	11	1	19	8 3/4	12	6 1/4	142
8	11 1/2	5 3/4	13 1/2	1 1/8	22 1/2	8 3/4	14	8 1/4	239
10	13	6 1/2	16	1 3/16	26 1/2	12 7/8	18	10 1/4	408
12	14	7	19	1 1/4	30	12 7/8	18	12 1/4	554

NOTE: ADD 16 LBS. FOR INDICATOR POST PLATE (3"-12" ONLY)



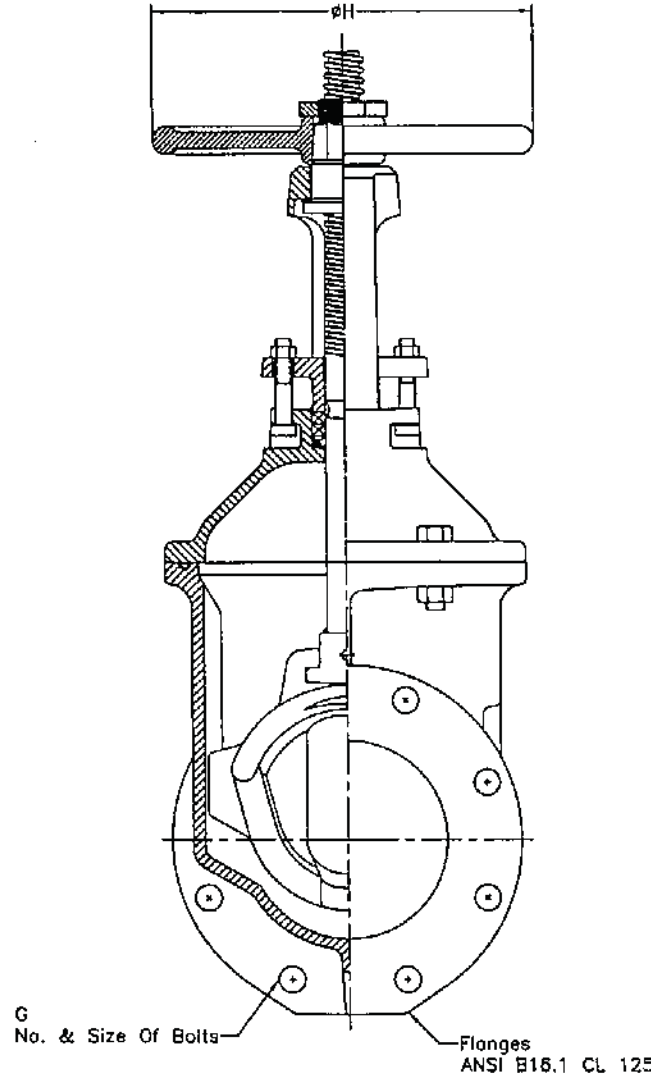
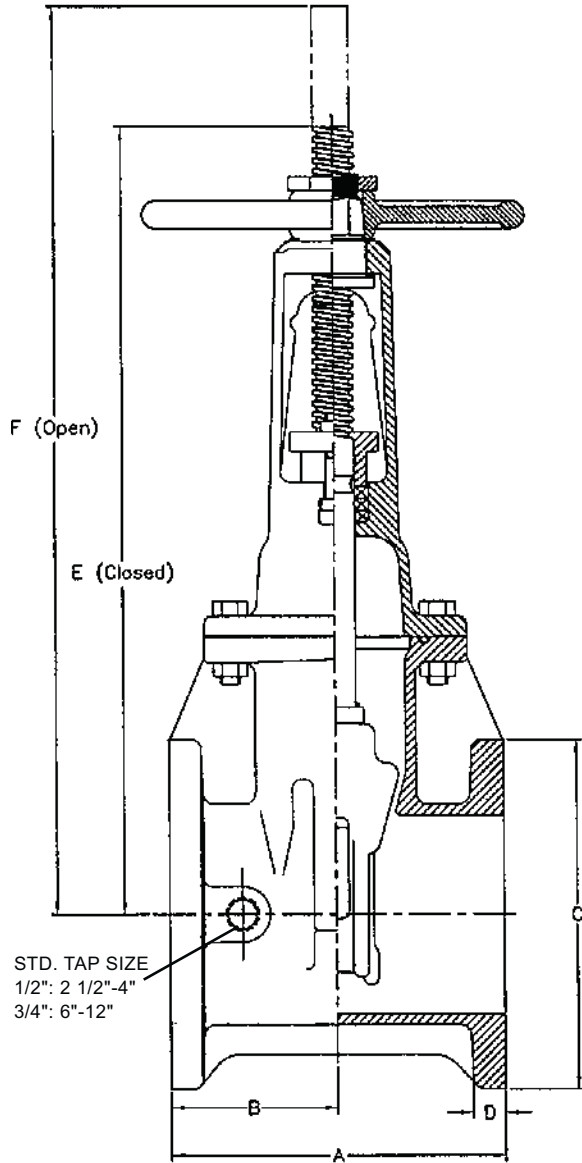
**2" - 12" R/S VALVE FLANGE ENDS
OS&Y GENERAL DIMENSIONS**

KENNEDY VALVE MODEL KS-FW

Complies with applicable requirements of AWWA C509

8068A

*Face to face dimensions (inch) conform to ASME B16.10



VALVE SIZE	* A	B	C	D	E	F	G	H	WEIGHT
2	7	3 1/2	6	5/8	12	10	4 5/8	7 1/4	N/A
2 1/2	7 1/2	3 3/4	7	11/16	13 7/8	16 3/8	4 5/8	7 1/4	51
3	8	4	7 1/2	3/4	15 5/8	18 7/8	4 5/8	10	64
4	9	4 1/2	9	15/16	18 1/4	22 3/4	8 5/8	10	105
6	10 1/2	5 1/4	11	1	23 3/4	30 1/8	8 3/4	12	152
8	11 1/2	5 3/4	13 1/2	1 1/8	29 1/4	37 3/4	8 3/4	14	253
10	13	6 1/2	16	1 3/16	35 3/8	45 3/4	12 7/8	18	427
12	14	7	19	1 1/4	40 5/8	53 1/8	12 7/8	18	581

ALL FLANGE VALVES TAPPED & PLUGGED @ POSITION "A"

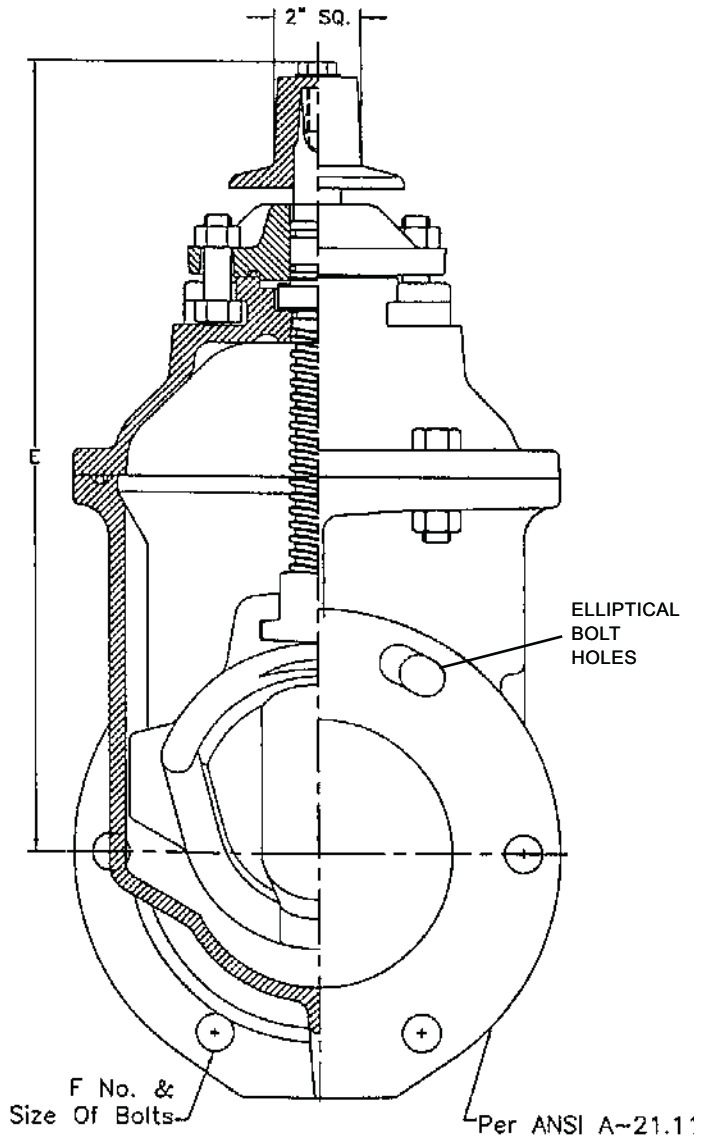
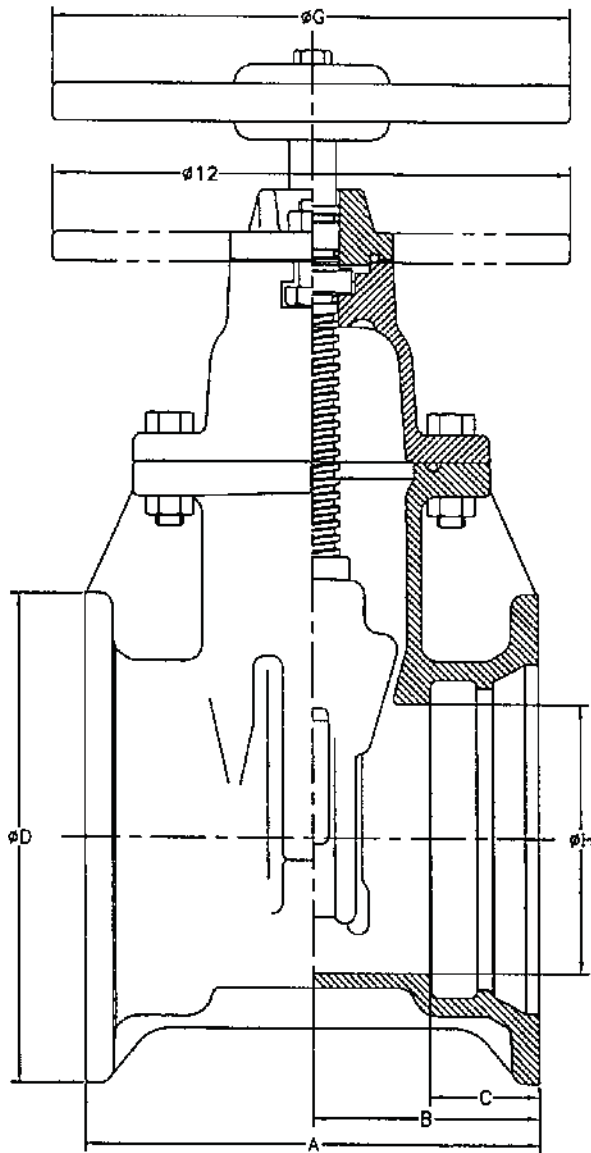


**2"-12" R/S VALVE MECHANICAL
JOINT ENDS
GENERAL DIMENSIONS**

KENNEDY VALVE MODEL KS-FW

Complies with applicable requirements of AWWA C509

8571SS STANDARD
8071SS W/POST PLATE (3-12")



ELLIPTICAL BOLT HOLE DESIGN ELIMINATES THE NEED FOR ANTI-ROTATIONAL BOLTS

VALVE SIZE	A	B	C	D	E	F	G	H	WEIGHT*
2	8 1/4	4 1/8	2 1/2	4 1/2	10 7/8	4 5/8	7 1/4	2	36
2 1/2	—	—	—	—	—	—	—	—	—
3	8 1/2	4 1/4	2 1/2	7 3/4	12 3/8	4 5/8	10	3	59
4	9 1/2	4 3/4	2 1/2	9 1/8	14 3/4	4 3/4	10	4 1/4	86
6	10 1/2	5 1/2	2 1/2	11 3/8	19	6 3/4	12	6 1/4	134
8	13 1/8	6 9/16	2 1/2	13 3/4	22 1/2	6 3/4	14	8 1/4	206
10	15 1/2	7 3/4	2 1/2	15 3/4	26 1/2	8 3/4	18	10 1/4	351
12	16	8	2 5/8	18	30	8 3/4	18	12 1/4	473

*ADD 16 LBS. FOR INDICATOR POST PLATE (3"-12" only)

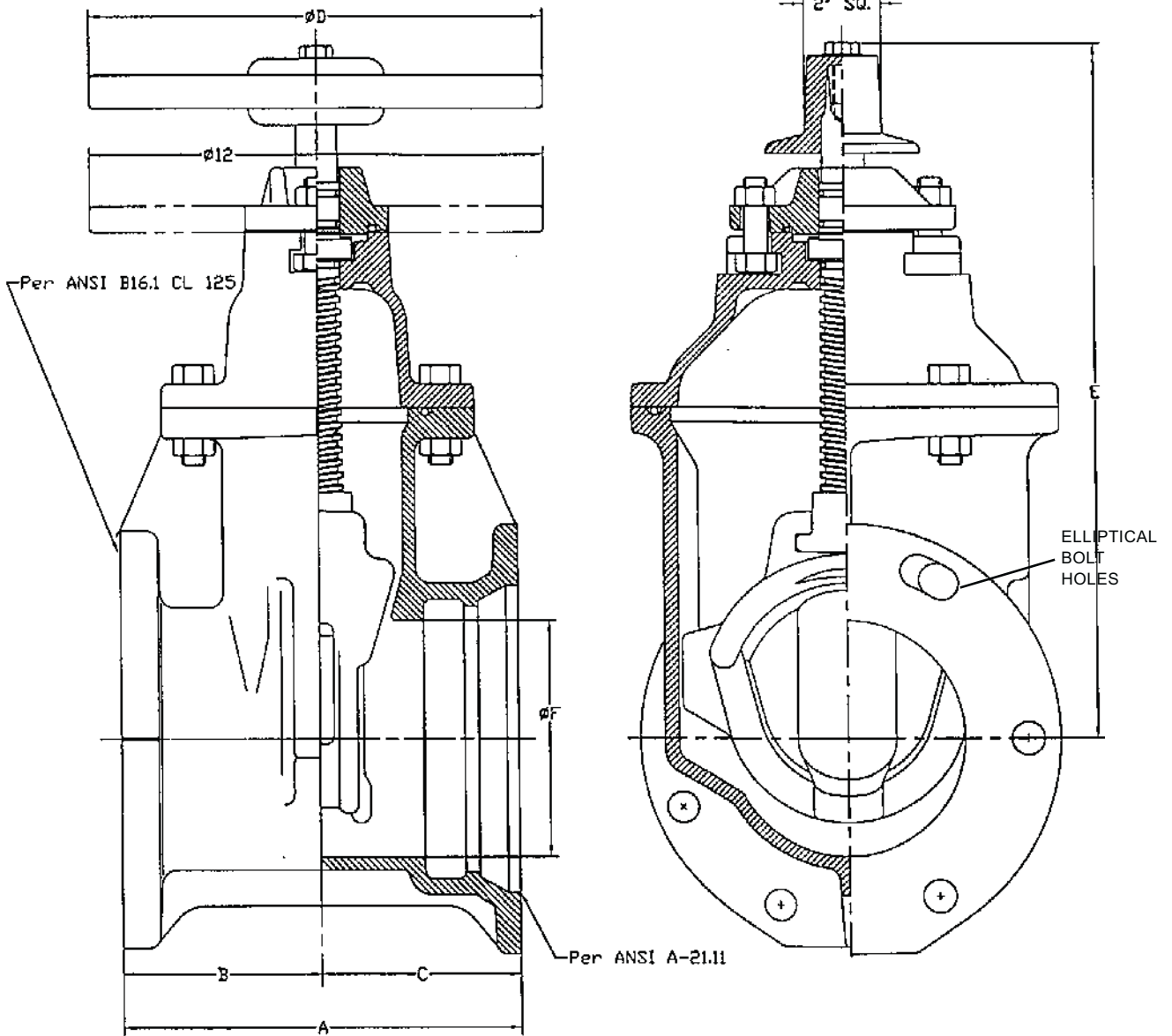


**3"-12" R/S VALVE NRS FLANGED X
MECHANICAL JOINT ENDS
GENERAL DIMENSIONS**

KENNEDY VALVE MODEL KS-FW

Complies with applicable requirements of AWWA C509

8572SS STANDARD
8702SS W/POST PLATE



ELLIPTICAL BOLT HOLE DESIGN ELIMINATES THE NEED FOR ANTI-ROTATIONAL BOLTS

VALVE SIZE	A	B	C	D	E	F	WEIGHT*
3	8 1/4	4	4 1/4	10	12 3/8	3	60
4	9 1/4	4 1/2	4 3/4	10	14 3/4	4 1/4	79
6	10 1/2	5 1/4	5 1/4	12	19	6 1/4	134
8	12 5/16	5 3/4	6 9/16	14	22 1/2	8 1/4	213
10	14 1/4	6 1/2	7 3/4	18	26 1/2	10 1/4	365
12	15	7	8	18	30	12 1/4	497

*ADD 16 LBS. FOR INDICATOR POST PLATE



**4"-12" R/S VALVE TYTON ENDS
NRS GENERAL DIMENSIONS**

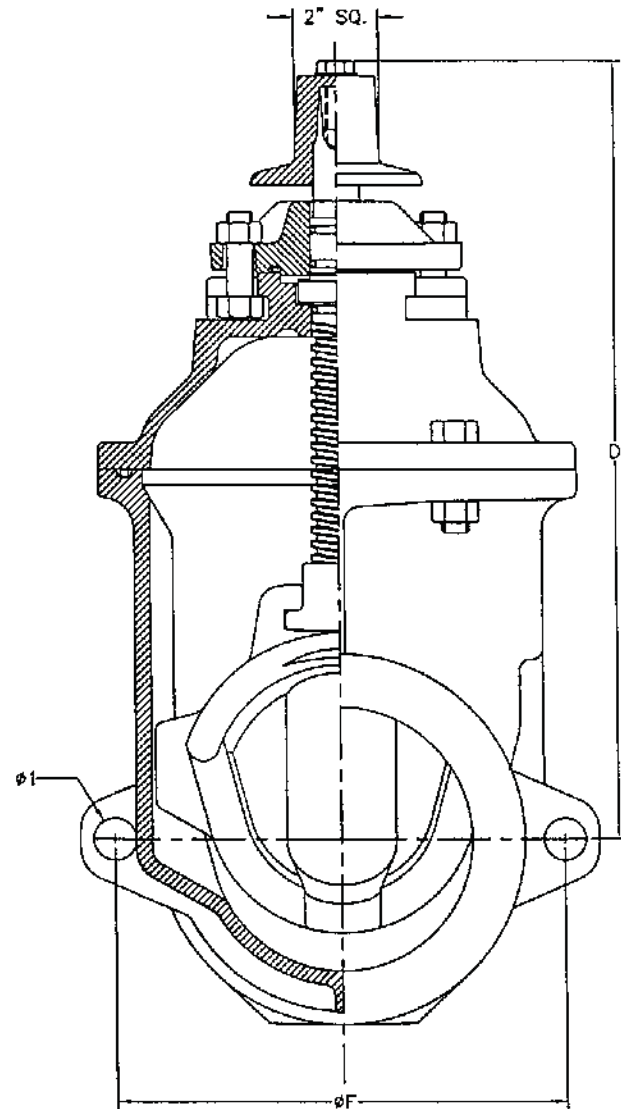
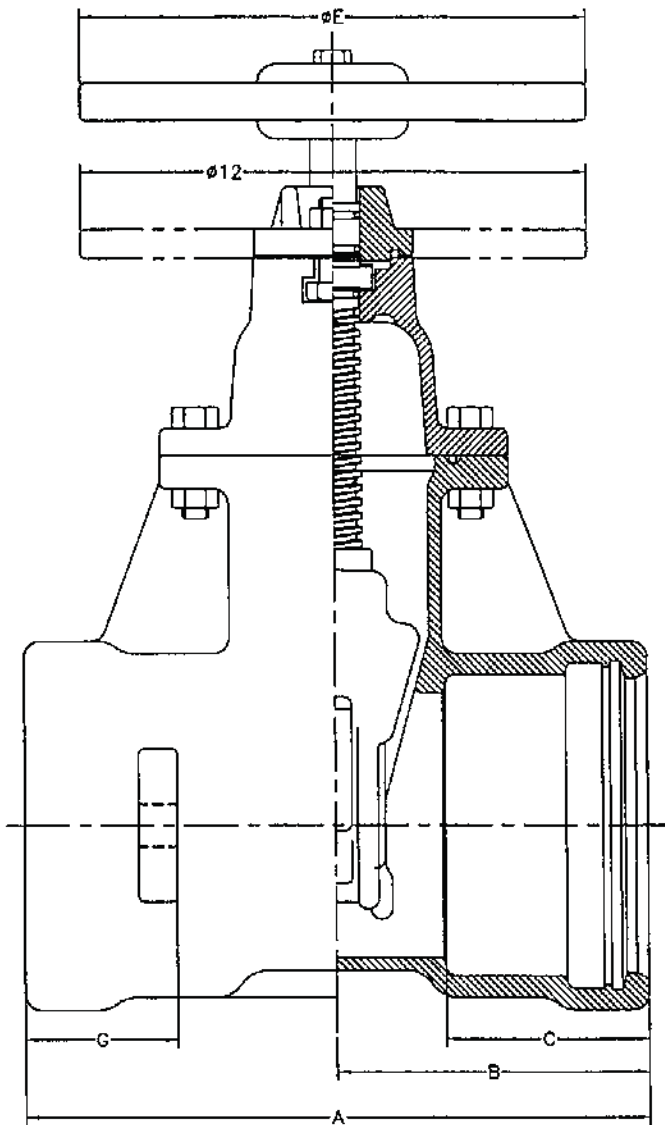
KENNEDY VALVE MODEL KS-FW

Complies with AWWA C509

8901SS
8901PSS

STANDARD
W/POST PLATE

PUSH-ON FOR DUCTILE IRON PIPE



VALVE SIZE	A	B	C	D	E	F	G	WEIGHT*
4	13 1/4	6 5/8	4.34	14 3/4	10	8 3/16	3 3/4	82
6	14 3/4	7 3/8	4.75	19	12	10 7/8	3 3/4	139
8	17 1/8	8 9/16	5.70	22 1/2	14	12 7/8	4 1/2	216
10	19 3/8	9 11/16	6.19	26 1/2	18	15 15/16	5 1/8	359
12	20 7/8	10 7/16	6.19	30	18	17 7/16	5 3/8	501

*ADD 16 LBS. FOR INDICATOR POST PLATE



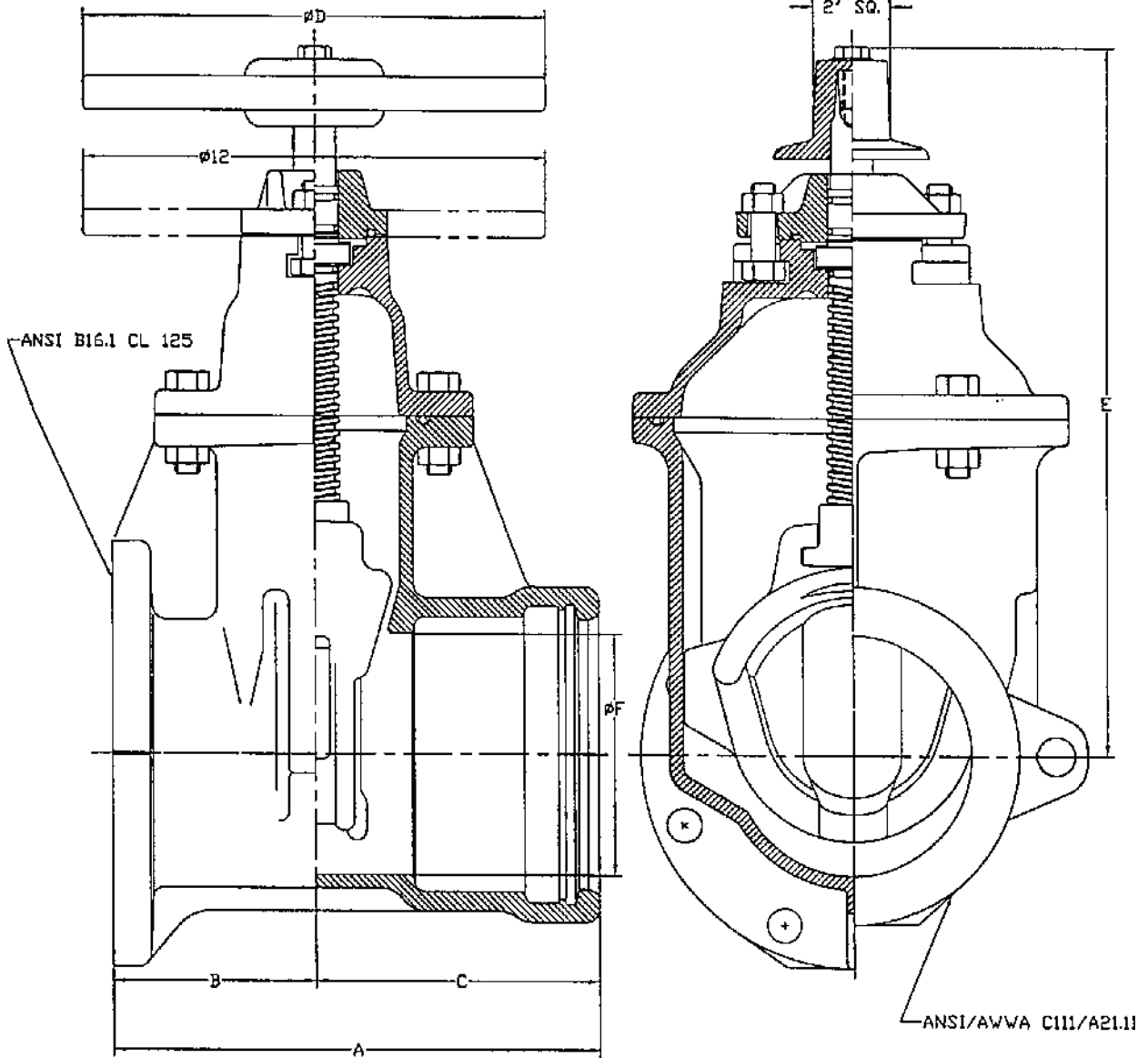
**4"-12" R/S VALVE NRS FLANGE X
TYTON ENDS GENERAL DIMENSIONS**

KENNEDY VALVE MODEL KS-FW

Valves comply with AWWA C509

8902SS
8902PSS

STANDARD
W/POST PLATE



VALVE SIZE	A	B	C	D	E	F	WEIGHT*
4	11 1/8	4 1/2	6 5/8	10	14 3/4	4 1/4	85
6	12 5/8	5 1/4	7 3/8	12	19	6 1/4	139
8	14 5/16	5 3/4	8 9/16	14	22 1/2	8 1/4	219
10	16 3/16	6 1/2	9 11/16	18	26 1/2	10 1/4	372
12	17 7/16	7	10 7/16	18	30	12 1/4	515

*ADD 16 LBS. FOR INDICATOR POST PLATE



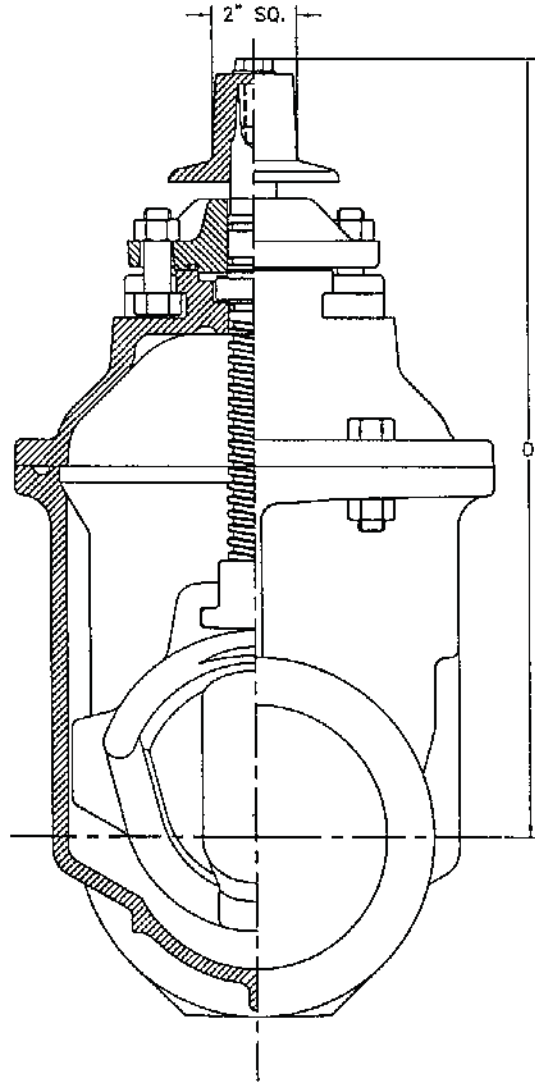
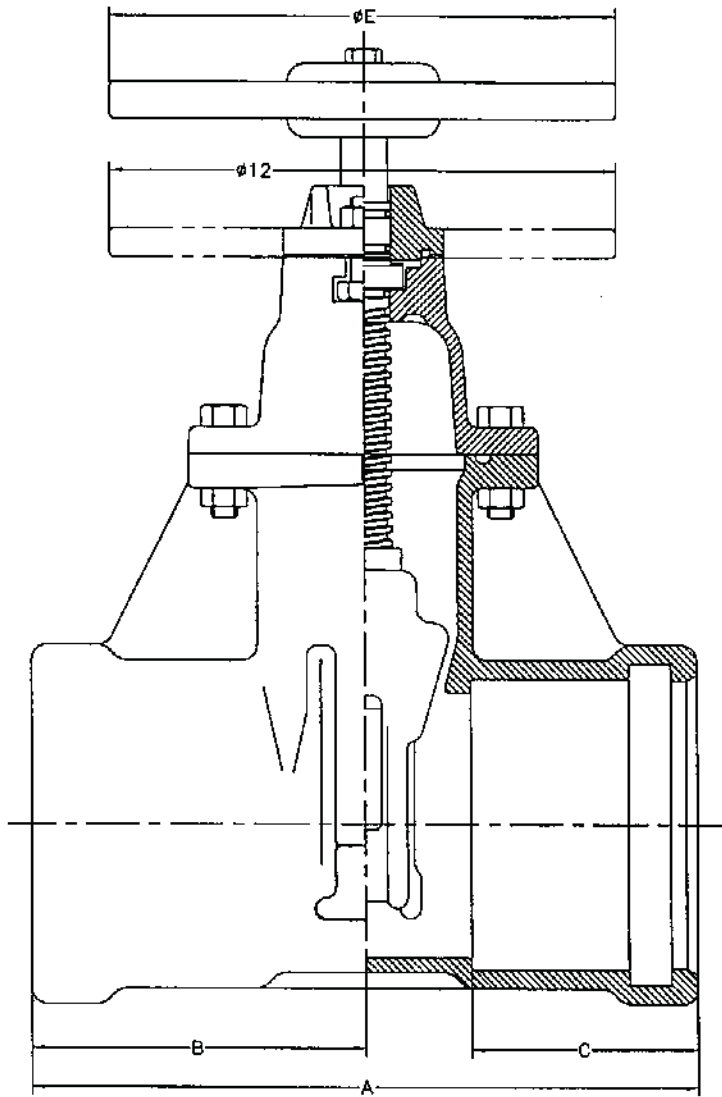
**2"-12" R/S VALVE PVC ENDS
NRS GENERAL DIMENSIONS**

KENNEDY VALVE MODEL KS-FW

Complies with applicable requirements of AWWA C509

8597SS
8597PSS

STANDARD
W/POST PLATE (3-8")



VALVE SIZE	A	B	C	D	E	WEIGHT*
2	10	5	3 1/2	10 7/8	7 1/4	35
2 1/2	10 3/4	5 3/8	3 3/4	11 3/8	7 1/4	44
3	11 5/8	5 13/16	4 1/6	12 3/8	10	53
4	13 1/2	6 3/4	4 1/2	14 3/4	10	84
6	15 3/4	7 7/8	5 3/8	19	12	137
8	16 1/4	8 1/8	5 3/8	22 1/2	14	223

*ADD 16 LBS. FOR INDICATOR POST PLATE (3" - 8" only)



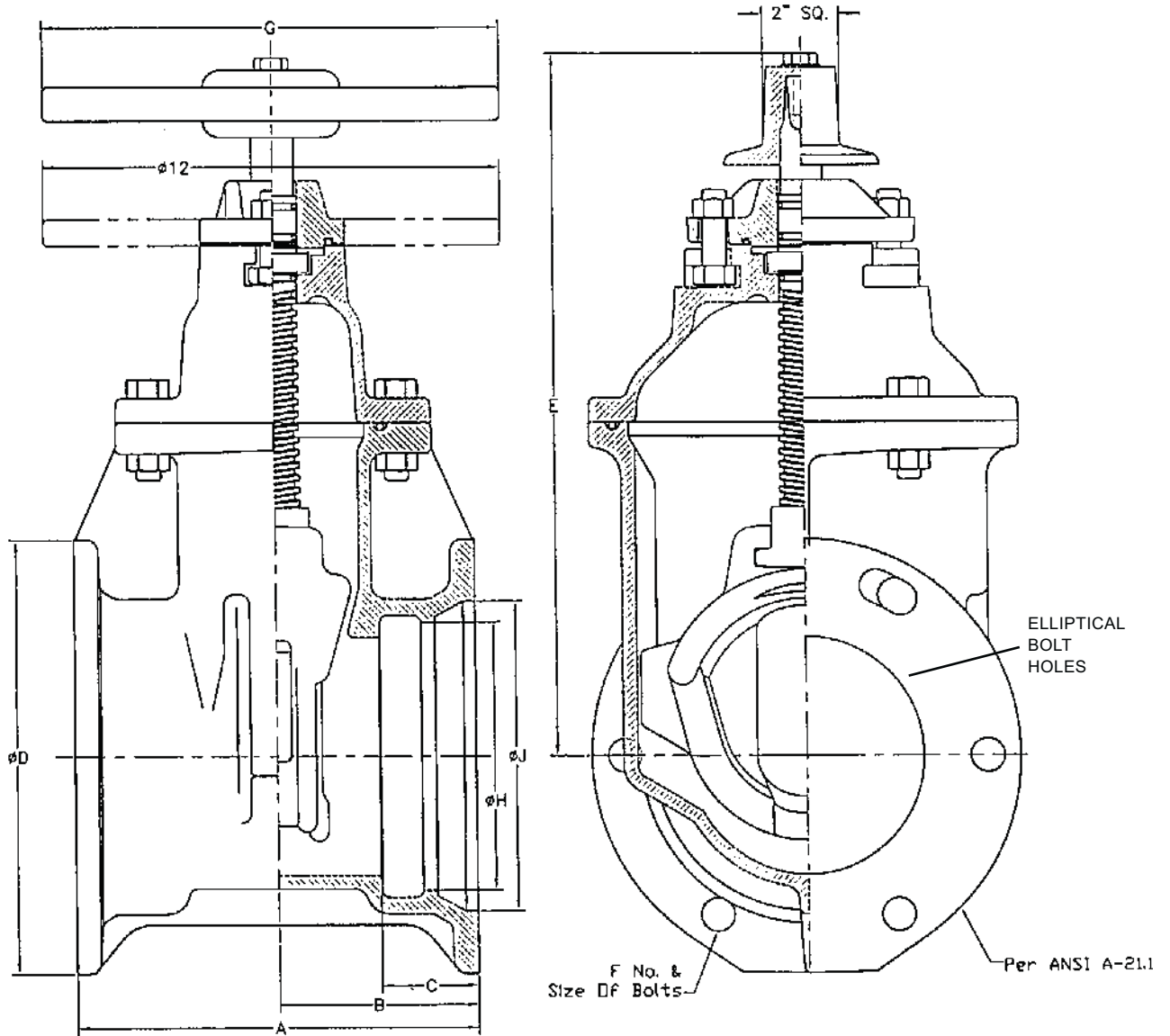
2"-12" R/S VALVE MECHANICAL CUT JOINT ENDS GENERAL DIMENSIONS

KENNEDY VALVE MODEL KS-FW

Complies with applicable requirements of AWWA C509

8576SS
8576PSS

STANDARD
W/POST PLATE



ELLIPTICAL BOLT HOLE DESIGN ELIMINATES THE NEED FOR ANTI-ROTATIONAL BOLTS

VALVE SIZE	A	B	C	D	E	F	G	H	J	WEIGHT*
4	9 1/2	4 3/4	2 1/2	9 1/8	14 3/4	4 3/4	10	5.10	6.20	86
6	10 1/2	5 1/4	2 1/2	11 3/8	19	6 3/4	12	7.20	8.30	134
8	13 1/8	6 9/16	2 1/2	13 3/4	22 1/2	6 3/4	14	9.40	10.50	206
10	15 1/2	7 3/4	2 1/2	15 3/4	26 1/2	8 3/4	18	11.50	12.62	351
12	16	8	2 5/8	18	30	8 3/4	18	13.60	14.72	473

*ADD 16 LBS. FOR INDICATOR POST PLATE



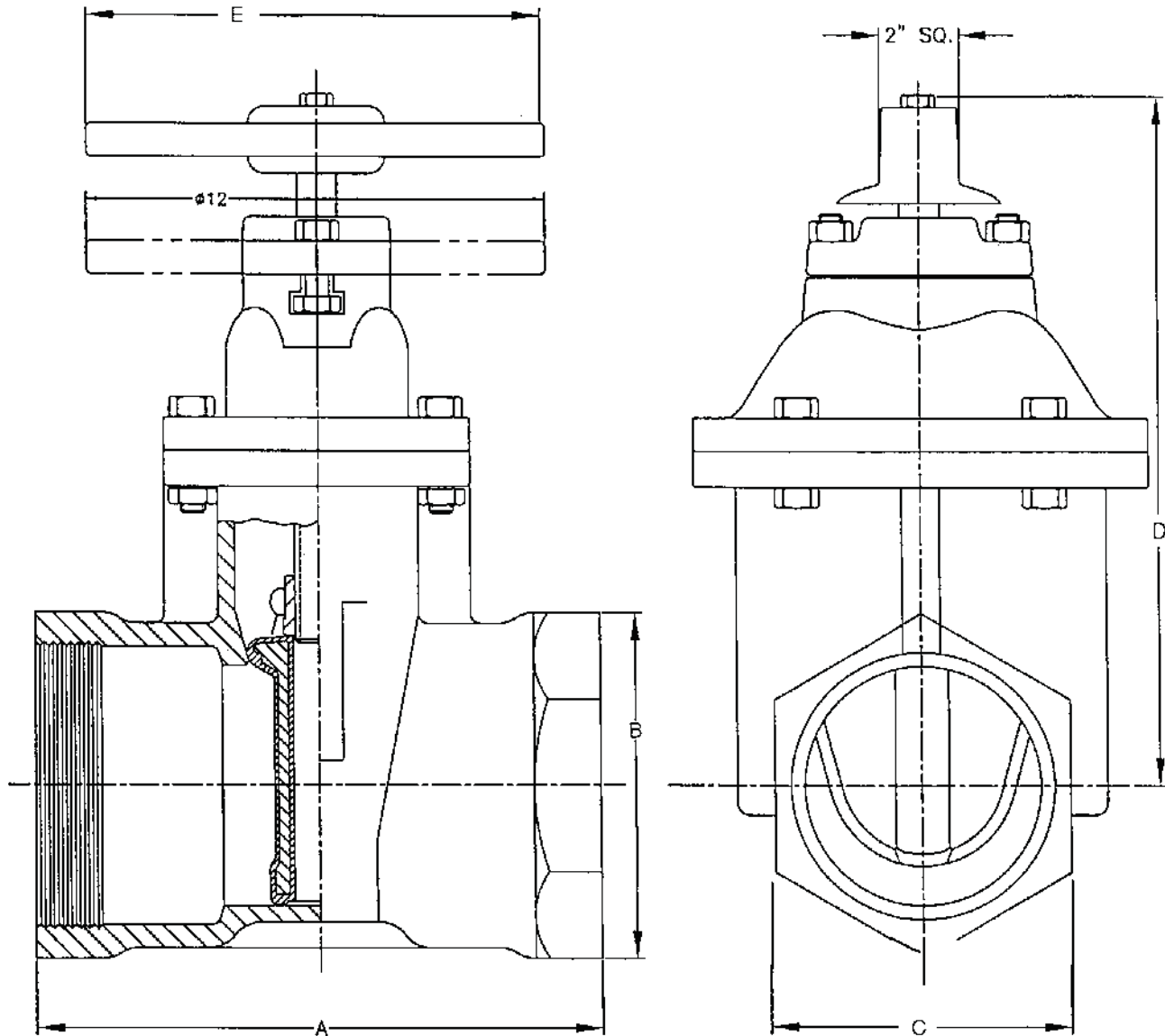
**2"-3" R/S VALVE THREADED ENDS
NRS GENERAL DIMENSIONS**

KENNEDY VALVE MODEL KS-FW

Complies with applicable requirements of AWWA C509

8057SS
8057WSS

2" NUT
HANDWHEEL



VALVE SIZE	A	B	C	D	E	WEIGHT*
2	5 1/4	4 1/8	3 9/16	10 7/8	7 1/4	20
2 1/2	7	5 3/16	4 1/2	11 3/8	7 1/4	40
3	7 1/8	5 5/8	4 7/8	12 3/8	10	47

*ADD 16 LBS. FOR INDICATOR POST PLATE (3" ONLY)



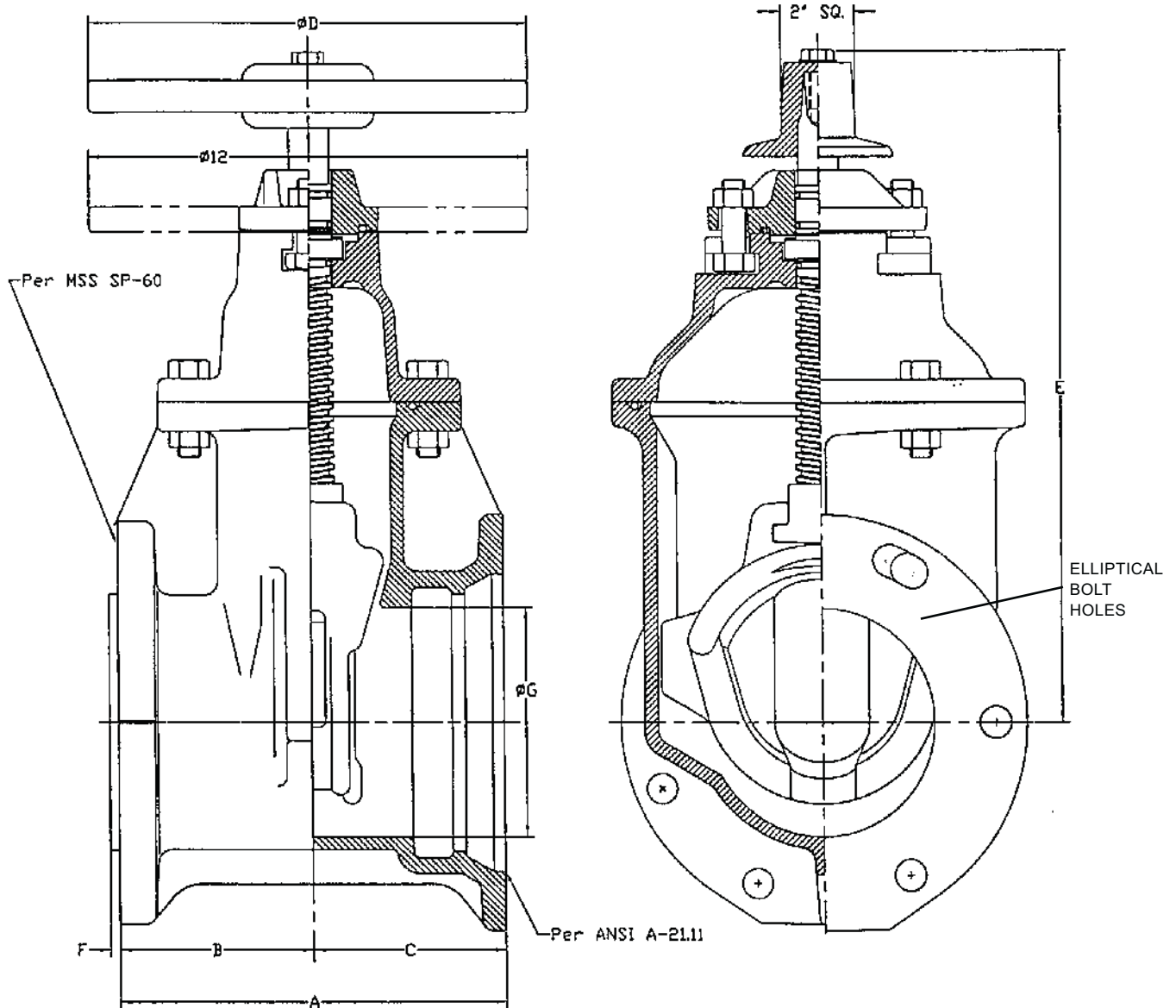
Valves comply with AWWA C509

**3" 12" R/S VALVE NRS TAP X
MECHANICAL JOINT ENDS
GENERAL DIMENSIONS**

KENNEDY VALVE MODEL KS-FW

8950SS
8950PSS

STANDARD
W/POST PLATE



ELLIPTICAL BOLT HOLE DESIGN ELIMINATES THE NEED FOR ANTI-ROTATIONAL BOLTS

VALVE SIZE	A	B	C	D	E	F	G	WEIGHT*
4	9 1/4	4 1/2	4 3/4	10	14 3/4	3/16	4 1/4	92
6	10 1/2	5 1/4	5 1/4	12	19	1/4	6 1/4	144
8	13 1/4	5 3/4	7 1/2	14	22 1/2	1/4	8 1/4	224
10	14 1/4	6 1/2	7 3/4	18	26 1/2	1/4	10 1/4	392
12	15	7	8	18	30	1/4	12 1/4	527

*ADD 16 LBS. FOR INDICATOR POST PLATE

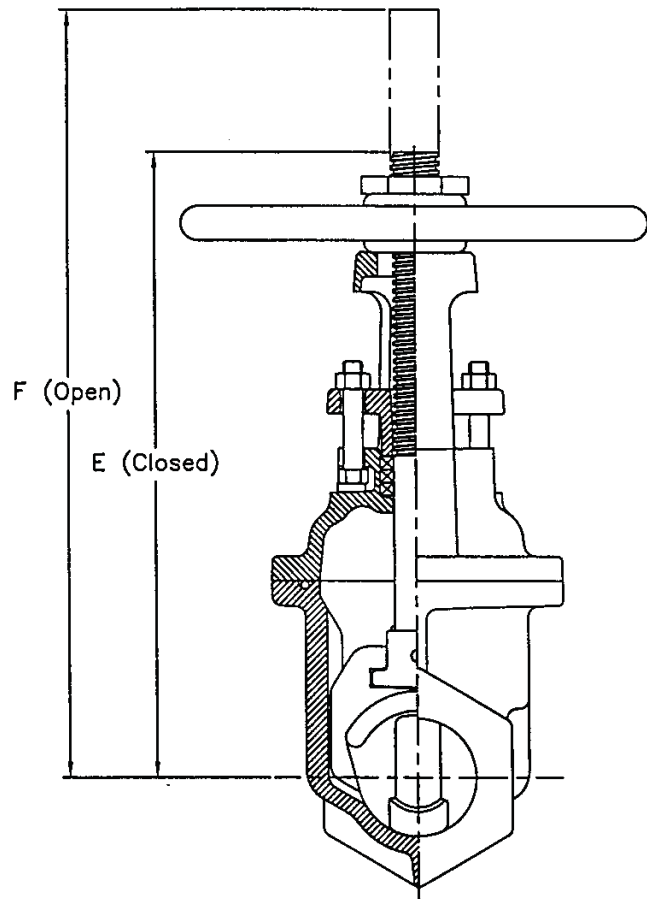
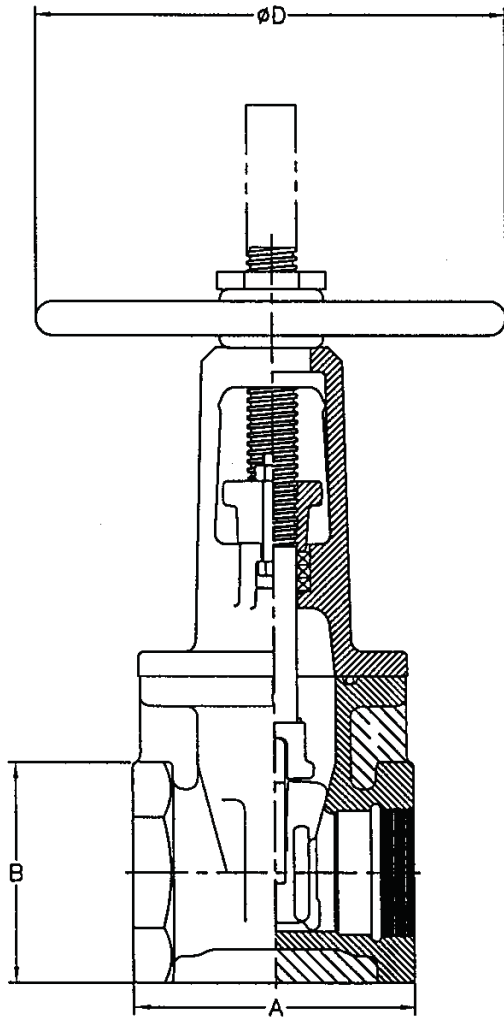


2"-3" R/S VALVE THREADED ENDS OS&Y GENERAL DIMENSIONS

KENNEDY VALVE MODEL KS-FW

Complies with applicable requirements of AWWA C509

8067



VALVE SIZE	A	B	D	E	F	WEIGHT*
2	5 1/4	4 1/8	7 1/4	10	12	N/A
2 1/2	7	5 3/16	7 1/4	13 7/8	16 3/8	40
3	7 1/2	5 3/16	10	15 5/8	18 7/8	50



Kennedy Valve

A DIVISION OF McWANE, INC.

www.kennedyvalve.com

1021 E. Water Street • Elmira, New York 14901
P.O. Box 981
PHONE: (607) 734-2211 • FAX: 1-800-952-4771